

DATASHEET

PNEUMATIC AND HYDRAULIC REGULATORS: A16 SERIES

MODEL CODE										
A	16 -	A	N	P	37P	0	0	0	V	0

MODEL TYPE	
A	PNEUMATIC REGULATOR
A5	HYDRAULIC REGULATOR

REGULATED PRESSURE	
16 -	20 - 1,000 Psi

MATERIAL	
A	ALUMINIUM
AB	ALUMINIUM BRONZE
BR	BRASS
SS	STAINLESS STEEL

SEAL MATERIAL	
N	NITRILE
V	VITON

SEAT MATERIAL	
P	POLYMER
S	STAINLESS

PORTS	
37N	3/8 NPT
37P	3/8 BSP
50N	1/2 NPT
50P	1/2 BSP

HANDWHEEL	
0	STANDARD HANDWHEEL
L	LOCKING

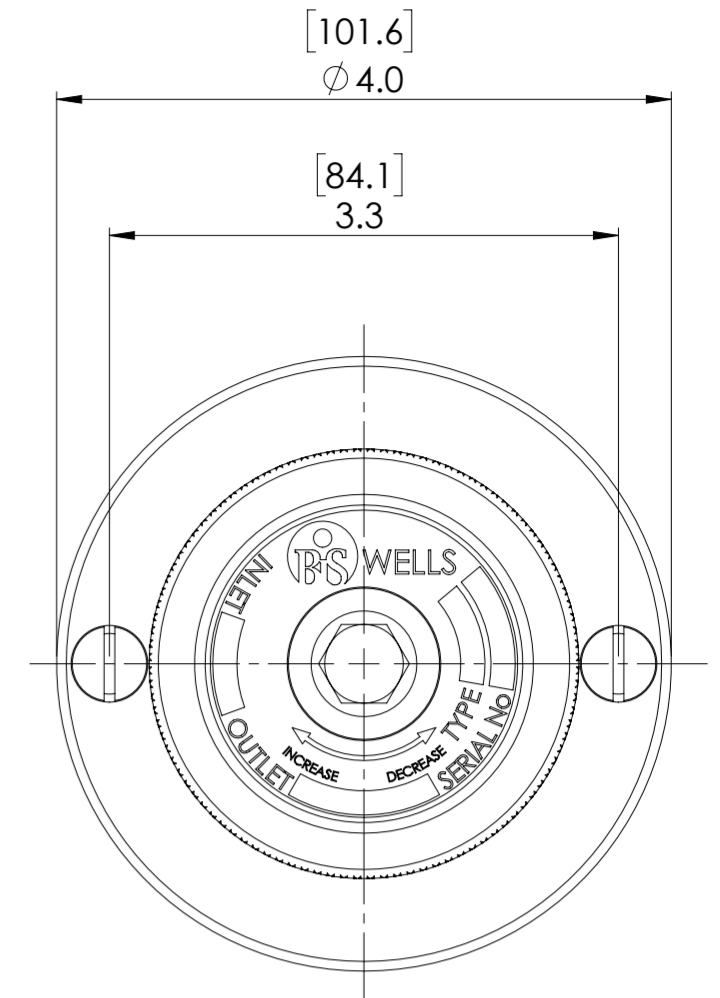
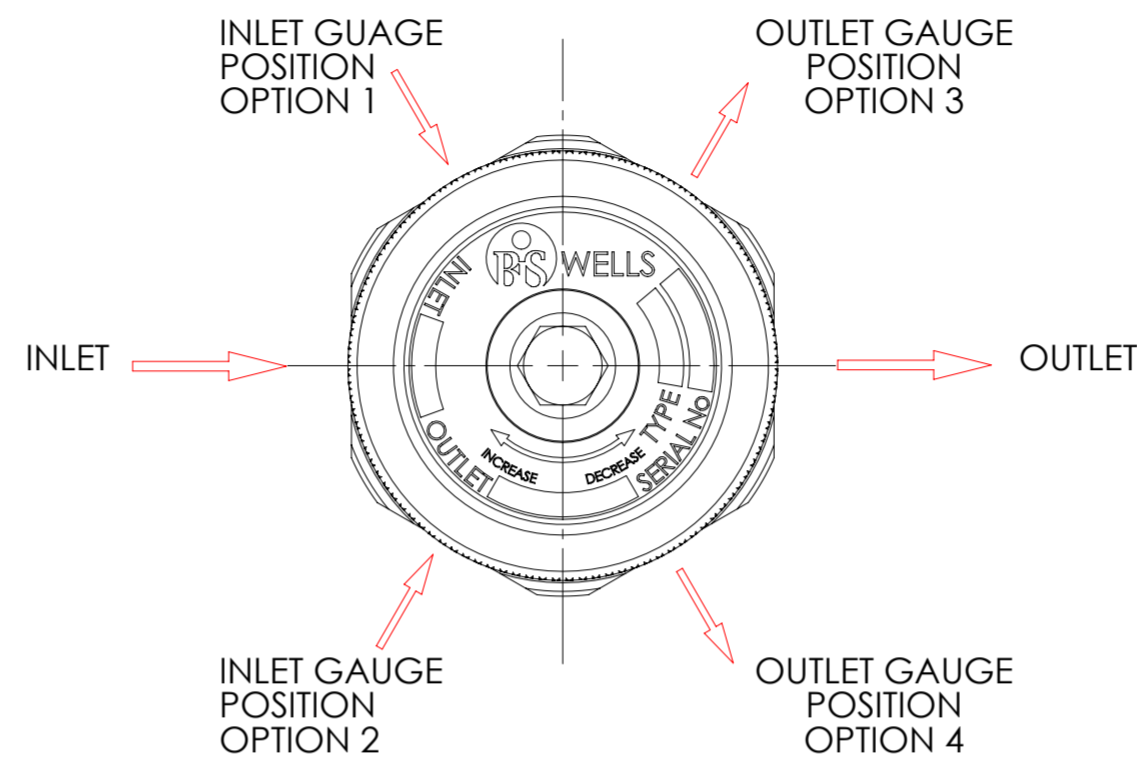
VENTING	
V	VENTING
NV	NON VENTING

MOUNTING	
0	NO MOUNTING
PM	PANEL MOUNTING

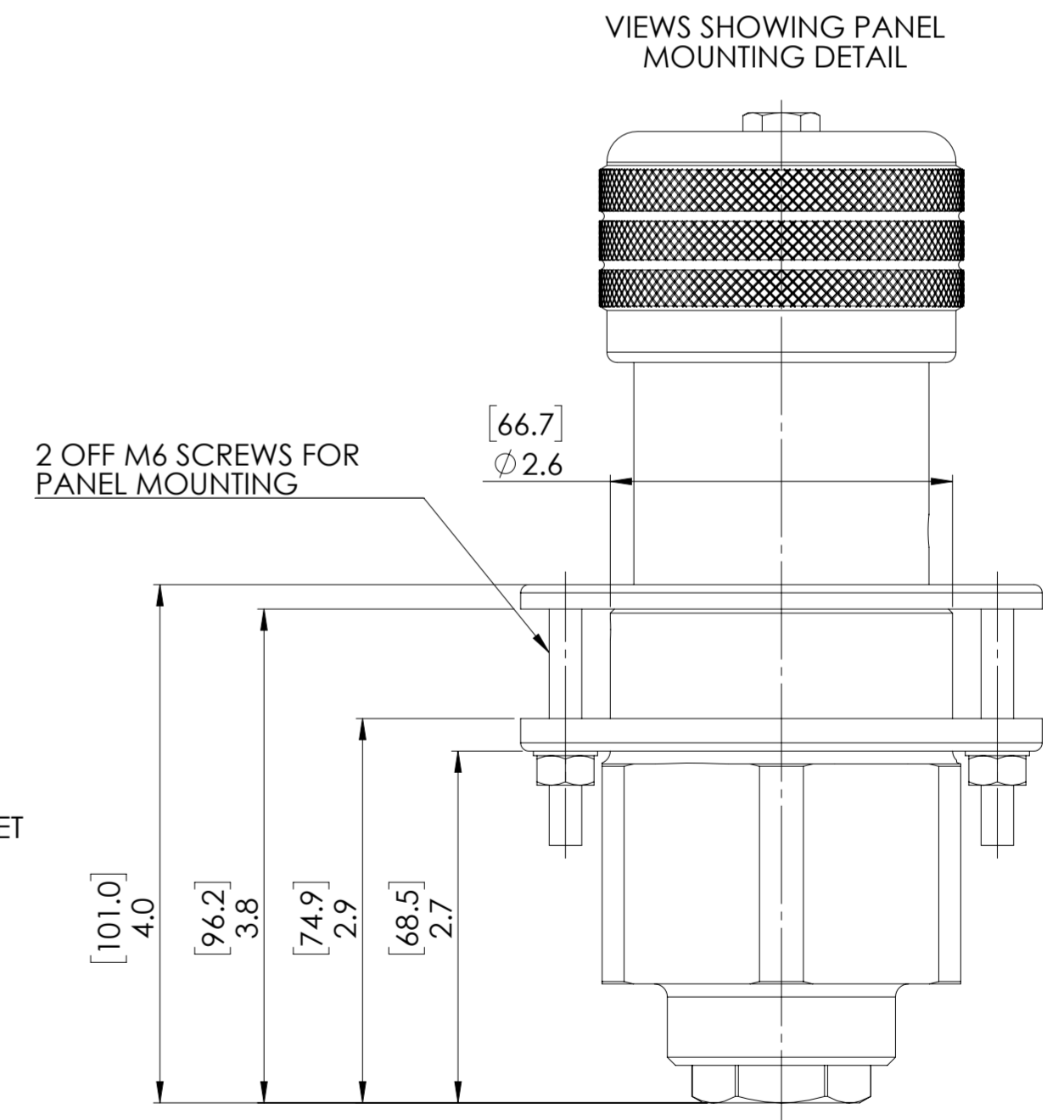
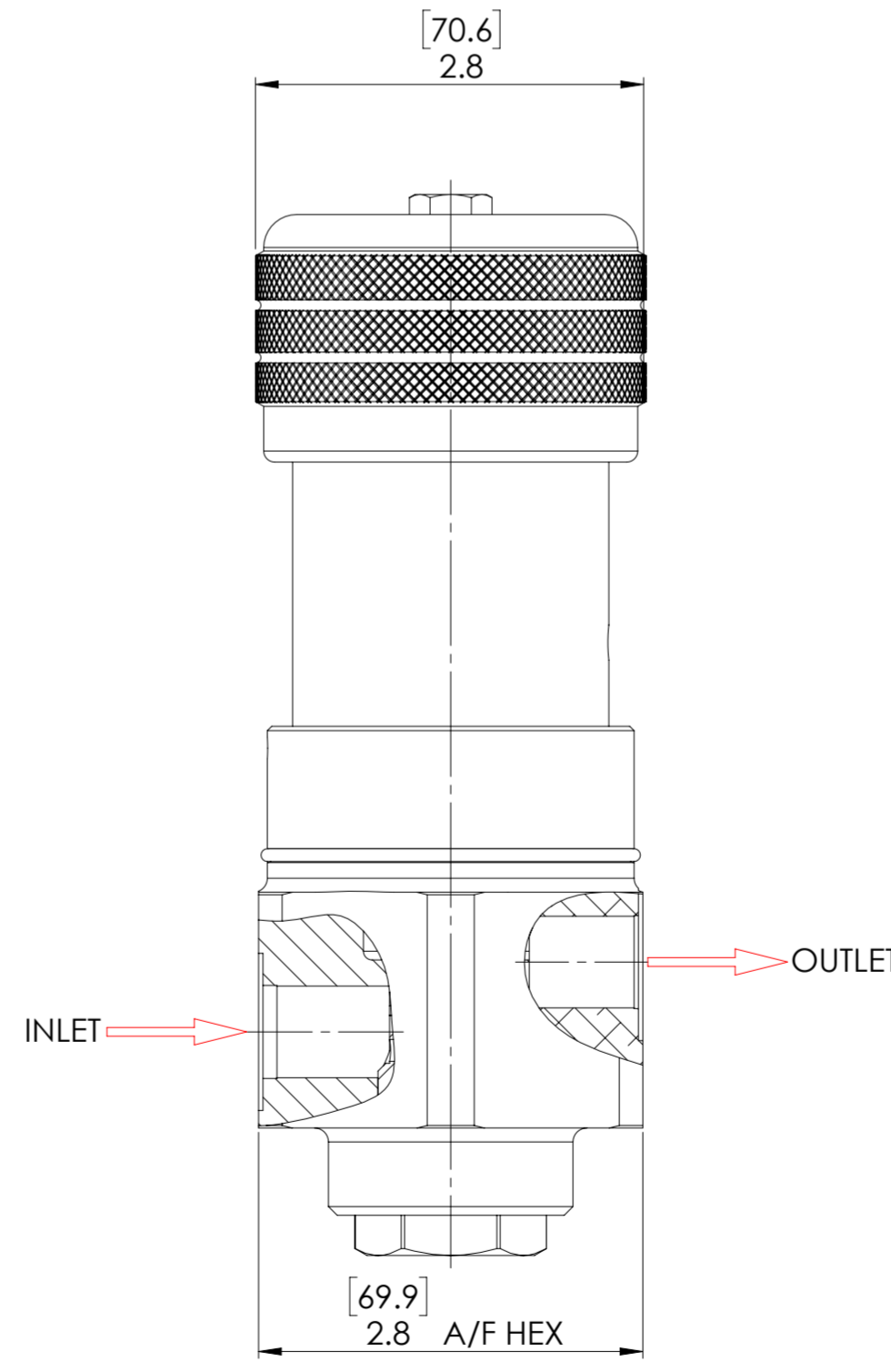
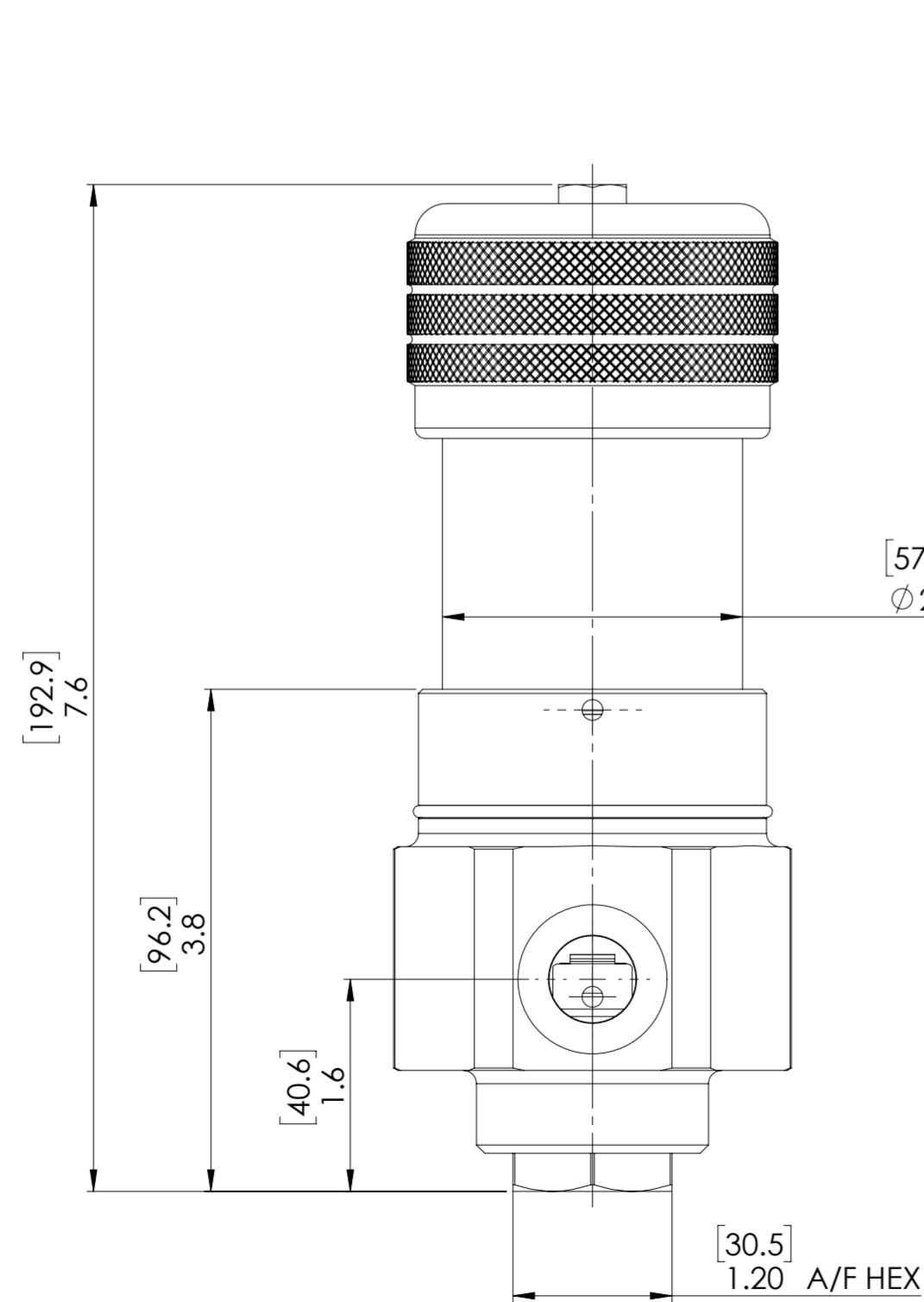
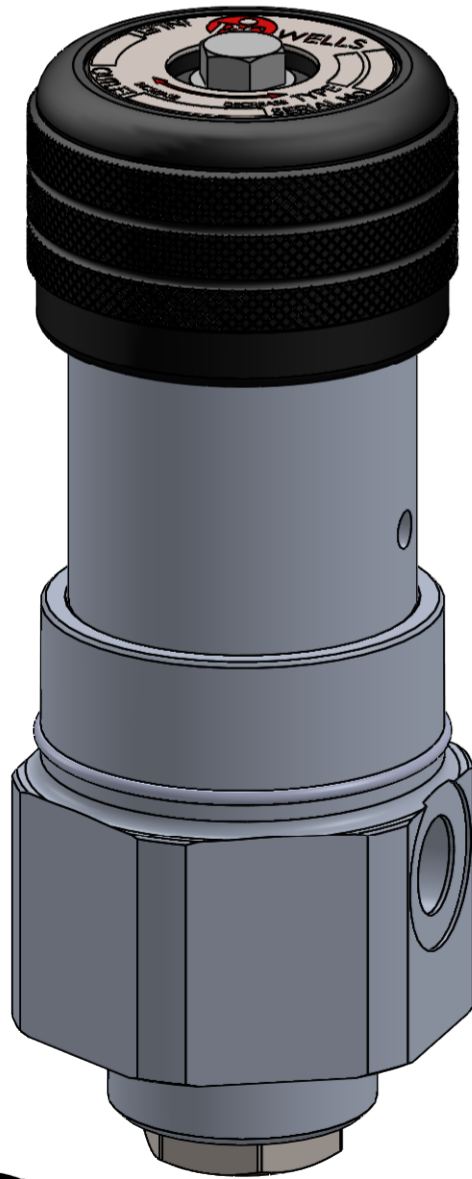
OUTLET GAUGE PORT	
0	NO PORT
3	1/4" NPT
4	1/4" NPT

INLET GAUGE PORT	
0	NO PORT
1	1/4" NPT
2	1/4" NPT

FOR OXYGEN SERVICE
SPECIFY: A16OX



- INLET PRESSURE: 4,500 Psi
- WEIGHT: 2.16 Kg (ALUMINIUM VERSION)
- Cv: 0.6
- LOCKING OPTION AVAILABLE
- OXYGEN SERVICE OPTION



© AND DESIGN RIGHT Bis Wells LTD. ALL RIGHTS RESERVED. WITHOUT THE PRIOR WRITTEN PERMISSION OF Bis Wells Ltd NO PART OF THIS DOCUMENT MAY BE ALTERED, ADAPTED, PUBLISHED, REPRODUCED OR TRANSMITTED IN ANY FORM OR MEDIUM.

UNLESS OTHERWISE SPECIFIED DIMENSIONS ARE IN INCHES
1. LINEAR TOLERANCES : ±0.1"
2. ANGULAR TOLERANCES : ±2°

DRAWN J.PHELAN	SHEET 1 OF 1		DRAWING SIZE A2	DRAWING SCALE 1:2	DRAWING NUMBER DS0001
DATE 30/10/19	ISSUE 1				