

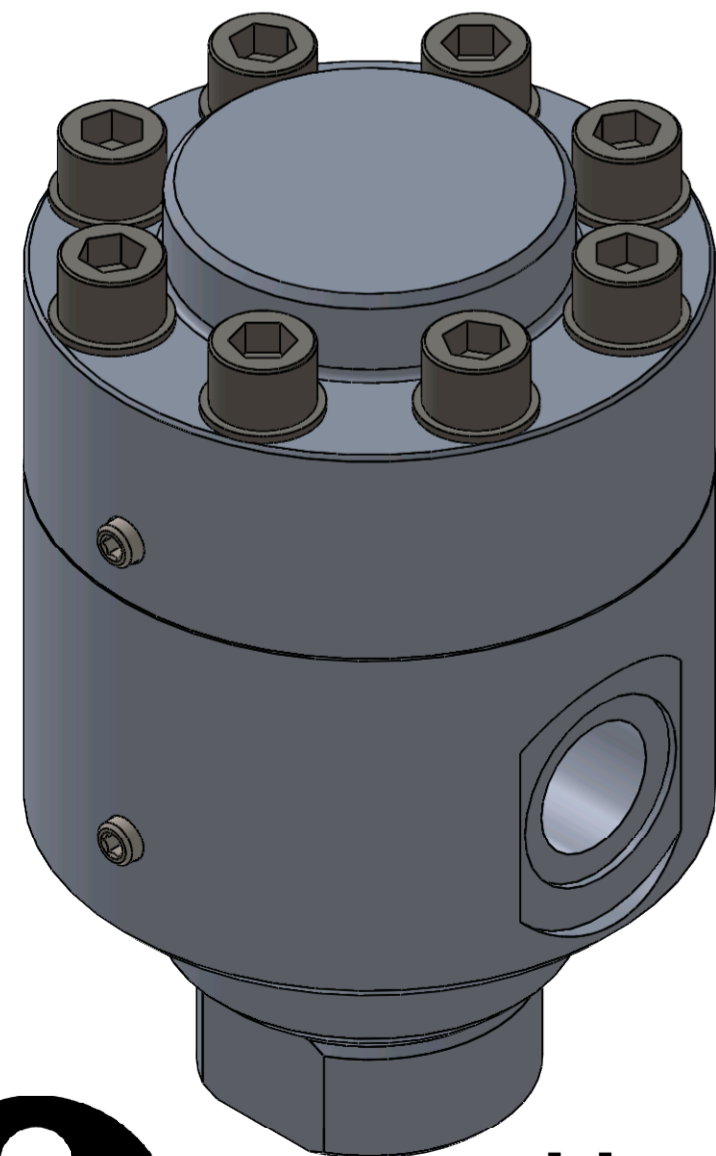
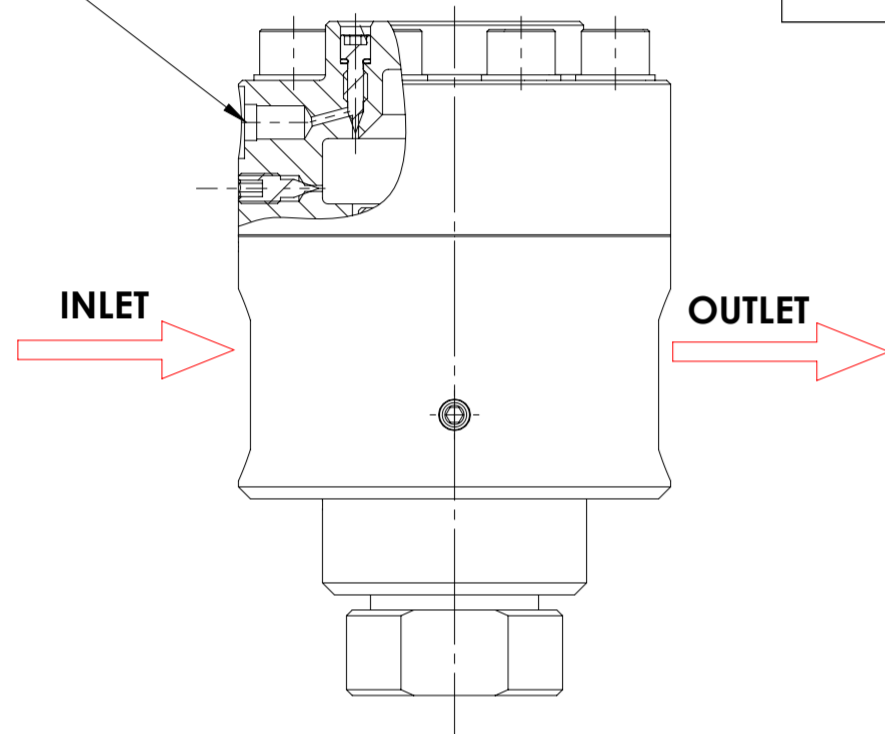
DATASHEET

PRESSURE REGULATOR: A210 AND A211

SPECIFICATION

- ORIFICE: 12.7mm
- MEDIUM: A210 - GAS ONLY
- MEDIUM: A211 - GAS AND LIQUID
- CAPACITY VALUE: 1.9
- DRY WEIGHT: 3.91 kg (8.63 lb)
(ALUMINIUM ALLOY)
- OUTLET RISE / UNIT INLET FALL: 0.02

A211 VALVES ONLY. 1/8" BSPP EXTERNAL DOME LOADING PORT LOCATION.



MODEL CODE							
A210	1	1	AA	75P	N	NY	0

MODEL TYPE	
A210	DOME LOADED INTERNALLY
A211	DOME LOADED EXTERNALLY

MAXIMUM INLET PRESSURE	
1	6,000 Psi (414 Bar)

OUTLET PRESSURE RANGE	
1	44 ~ 3,500 Psi (3 ~ 240 Bar)

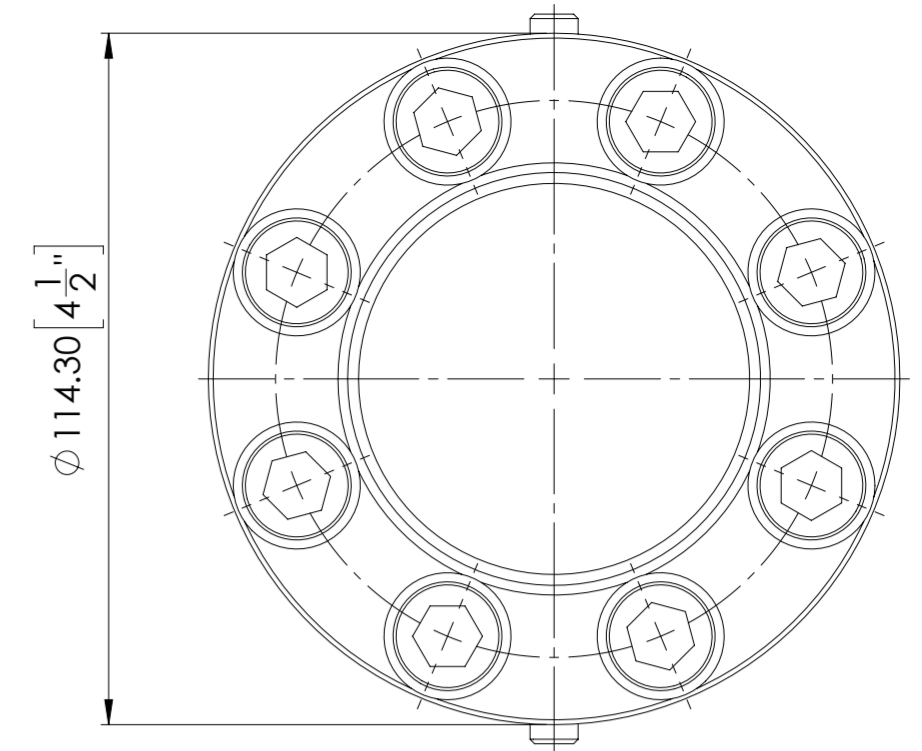
MATERIAL	
AA	ALUMINIUM ALLOY
SS	STAINLESS STEEL
AB	ALUMINIUM BRONZE
BR	BRASS

GAUGE PORT	
0	NO PORT
GI	1/4" BSPP INLET
GO	1/4" BSPP OUTLET
GB	1/4" BSPP INLET & OUTLET

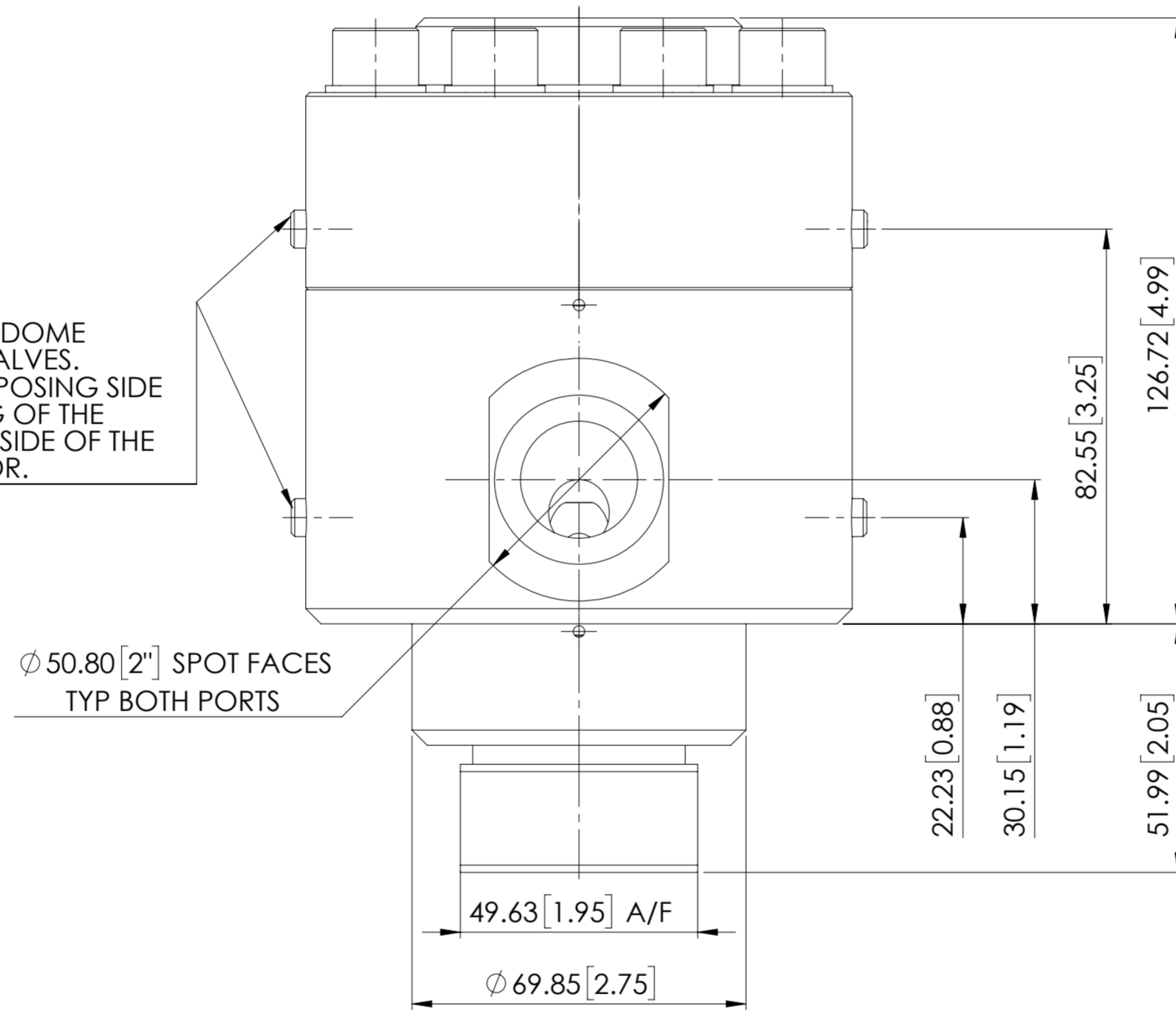
SEAT MATERIAL	
NY	NYLON

SEALS	
N	NITRILE
V	VITON

PORTING	
75P	3/4" BSPP
75N	3/4" NPT

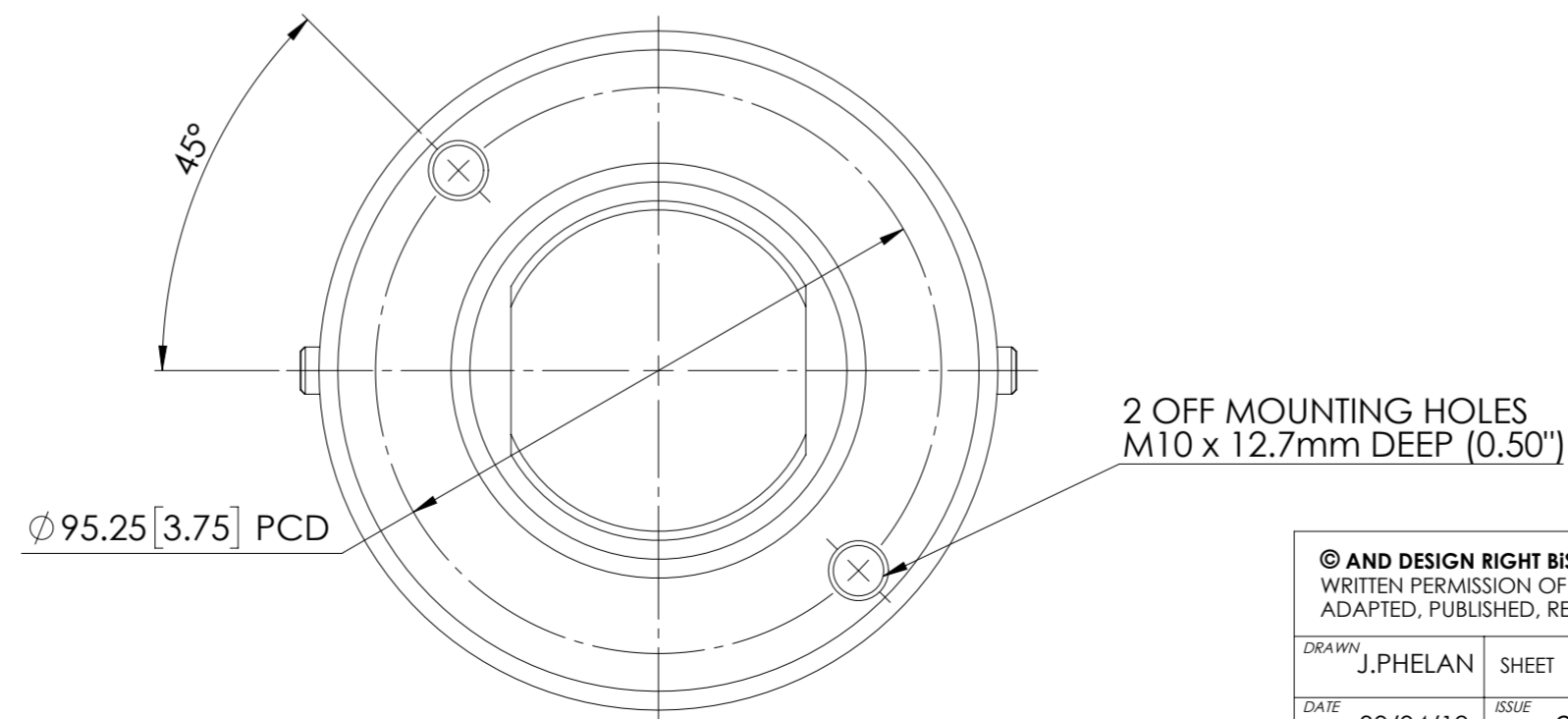
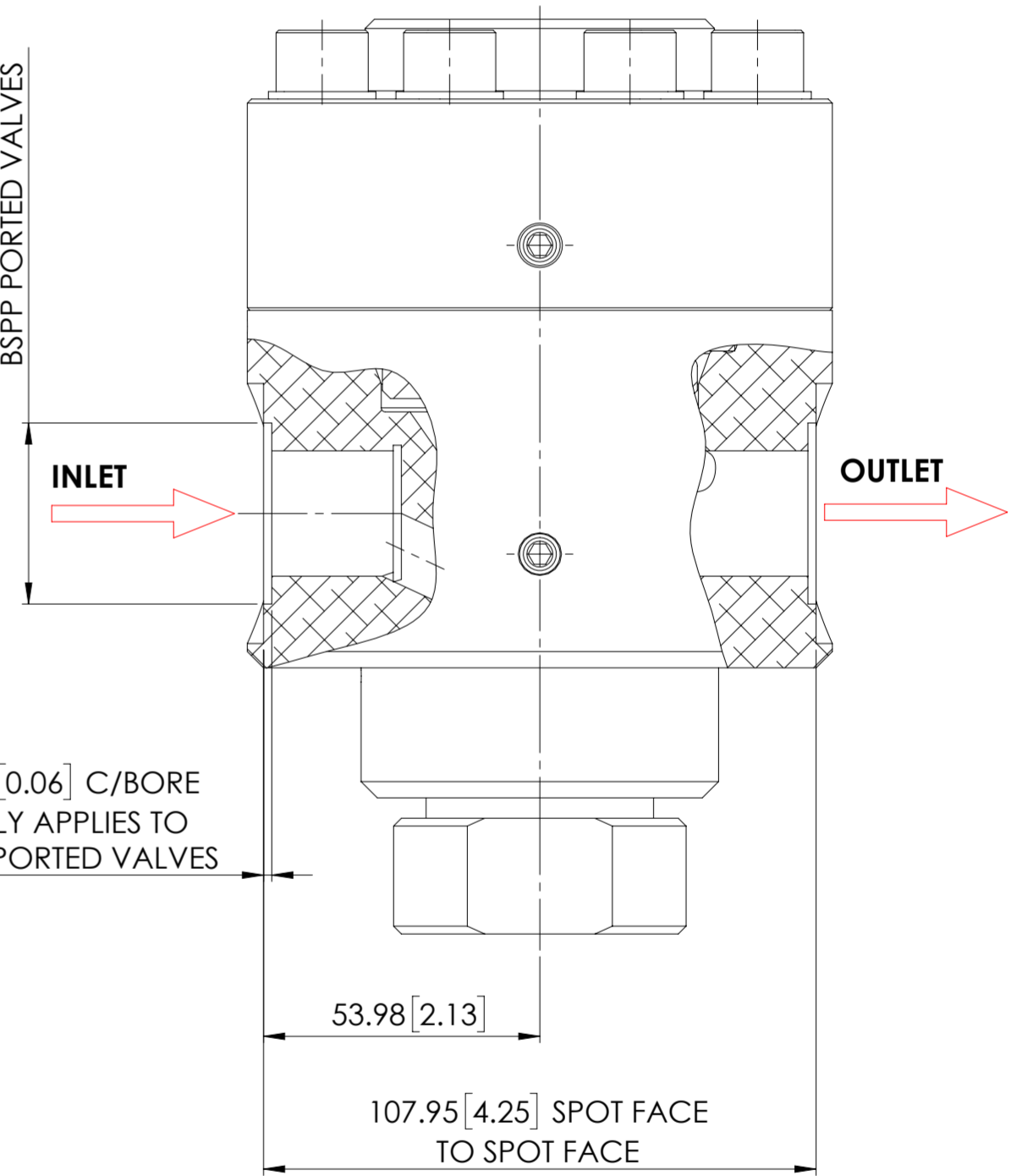


A210 VALVES ONLY. DOME LOADING NEEDLE VALVES. DUPLICATED ON OPPOSING SIDE TO ALLOW LOADING OF THE DOME FROM EITHER SIDE OF THE PRESSURE REGULATOR.



Ø 35.42 [1.395] C/BORE
Ø 35.29 [1.390] ONLY APPLIES TO BSPP PORTED VALVES

1.60 [0.06] C/BORE ONLY APPLIES TO BSPP PORTED VALVES



© AND DESIGN RIGHT BIS WELLS LTD. ALL RIGHTS RESERVED. WITHOUT THE PRIOR WRITTEN PERMISSION OF BIS WELLS LTD NO PART OF THIS DOCUMENT MAY BE ALTERED, ADAPTED, PUBLISHED, REPRODUCED OR TRANSMITTED IN ANY FORM OR MEDIUM.				UNLESS OTHERWISE SPECIFIED DIMENSIONS ARE METRIC 1. LINEAR TOLERANCES : ±0.5" 2. ANGULAR TOLERANCES : ±2°				
DRAWN	J.PHELAN	SHEET	1 OF 1	DRAWING SIZE	A2	DRAWING SCALE	1:2	
DATE	30/04/19	ISSUE	2	3RD ANGLE PROJECTION				
							DRAWING NUMBER	DS0004