

DATASHEET

PRESSURE REGULATOR: A220 AND A221

SPECIFICATION

- ORIFICE: 25.4mm
- MEDIUM: A220 - GAS ONLY
- MEDIUM: A221 - GAS AND LIQUID
- CAPACITY VALUE: 6.2
- DRY WEIGHT: 14.0 kg (31.0 lb)
(ALUMINIUM ALLOY)
- OUTLET RISE / UNIT INLET FALL: 0.02

MODEL CODE							
A220	1	1	AA	75P	N	NY	0

MODEL TYPE	
A220	DOMES LOADED INTERNALLY
A221	DOMES LOADED EXTERNALLY

MAXIMUM INLET PRESSURE	
1	4,500Psi (310 Bar)

OUTLET PRESSURE RANGE	
1	73 ~ 3,500 Psi (5 ~ 240 Bar)

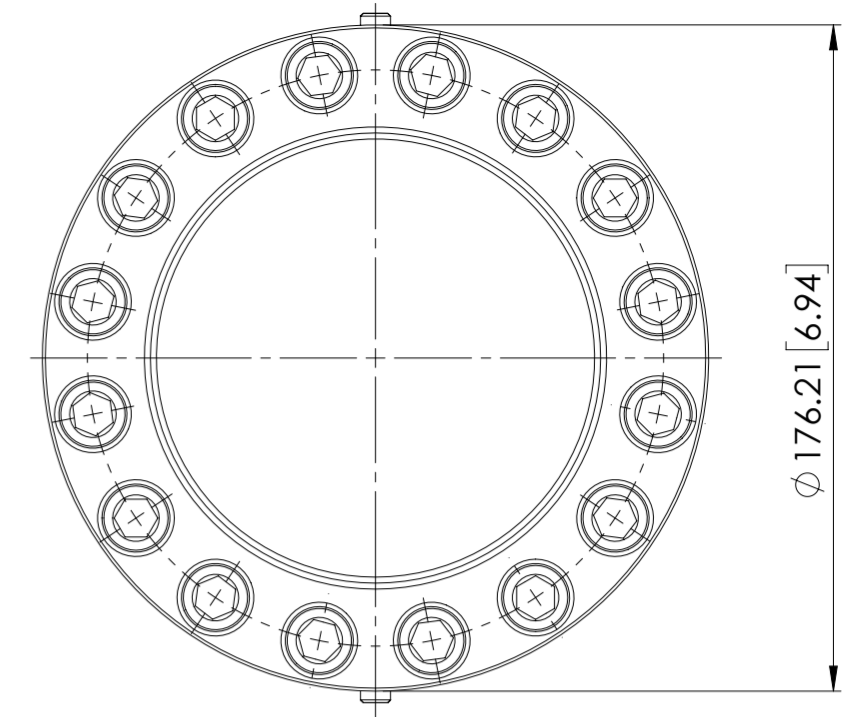
MATERIAL	
AA	ALUMINIUM ALLOY
SS	STAINLESS STEEL
AB	ALUMINIUM BRONZE
BR	BRASS

GAUGE PORT	
0	NO PORT
GI	1/4" BSPP INLET
GO	1/4" BSPP OUTLET
GB	1/4" BSPP INLET & OUTLET

SEAT MATERIAL	
NY	NYLON

SEALS	
N	NITRILE
V	VITON

PORTING	
150P	1 1/2" BSPP
150N	1 1/2" NPT



A221 VALVES ONLY. 1/8" BSPP EXTERNAL DOME LOADING PORT LOCATION. (PORT NOT SHOWN)

DOMES LOADING NEEDLE VALVES. DUPLICATED ON OPPOSING SIDE TO ALLOW LOADING OF THE DOME FROM EITHER SIDE OF THE PRESSURE REGULATOR.

Ø 76.20 [3"] SPOT FACES TYP BOTH PORTS

51.88 [2.04] A/F

Ø 101.60 [4"]

30.48 [1.20]

73.03 [2.88]
79.38 [3.13]
165.10 [6.5"]

269.85 [10.62]

4 OFF MOUNTING HOLES 1/2" BSF x 19.0mm DEEP (0.75")

Ø 146.05 [5.75] P.C.D.

45° 90°

Ø 59.06 [2.33] C/BORE ONLY APPLIES TO BSPP PORTED VALVES

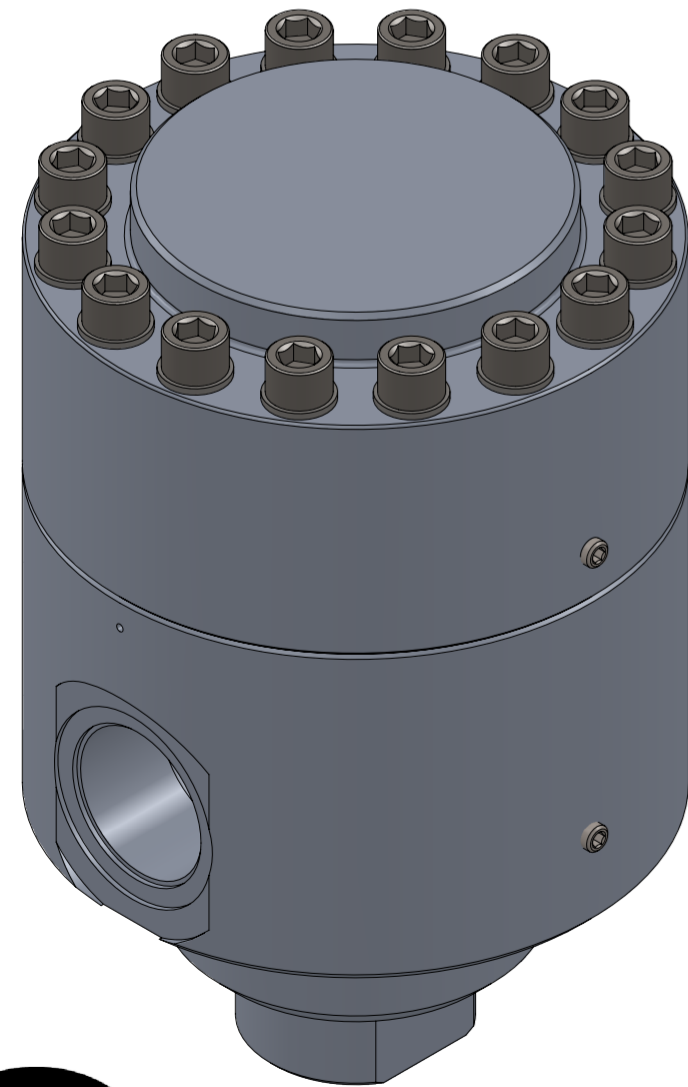
INLET

OUTLET

1.59 [0.06] C/BORE ONLY APPLIES TO BSPP PORTED VALVES

83.34 [3.28]

166.69 [6.56] SPOT FACE TO SPOT FACE



© AND DESIGN RIGHT BIS WELLS LTD. ALL RIGHTS RESERVED. WITHOUT THE PRIOR WRITTEN PERMISSION OF BIS WELLS LTD NO PART OF THIS DOCUMENT MAY BE ALTERED, ADAPTED, PUBLISHED, REPRODUCED OR TRANSMITTED IN ANY FORM OR MEDIUM.				UNLESS OTHERWISE SPECIFIED DIMENSIONS ARE METRIC 1. LINEAR TOLERANCES : ±0.5" 2. ANGULAR TOLERANCES : ±2°						
DRAWN	J.PHELAN	SHEET	1 OF 1	 3RD ANGLE PROJECTION	DRAWING SIZE	A2	DRAWING SCALE	1:2	DRAWING NUMBER	DS0006
DATE	09/05/19	ISSUE	1							