

DATASHEET

STOP AND FLOW CONTROL VALVES: B10 SERIES

MODEL CODE				
B10-	SS	125P	N	NY

MODEL TYPE	
B10	STOP AND FLOW CONTROL VALVE 4,000 Psi

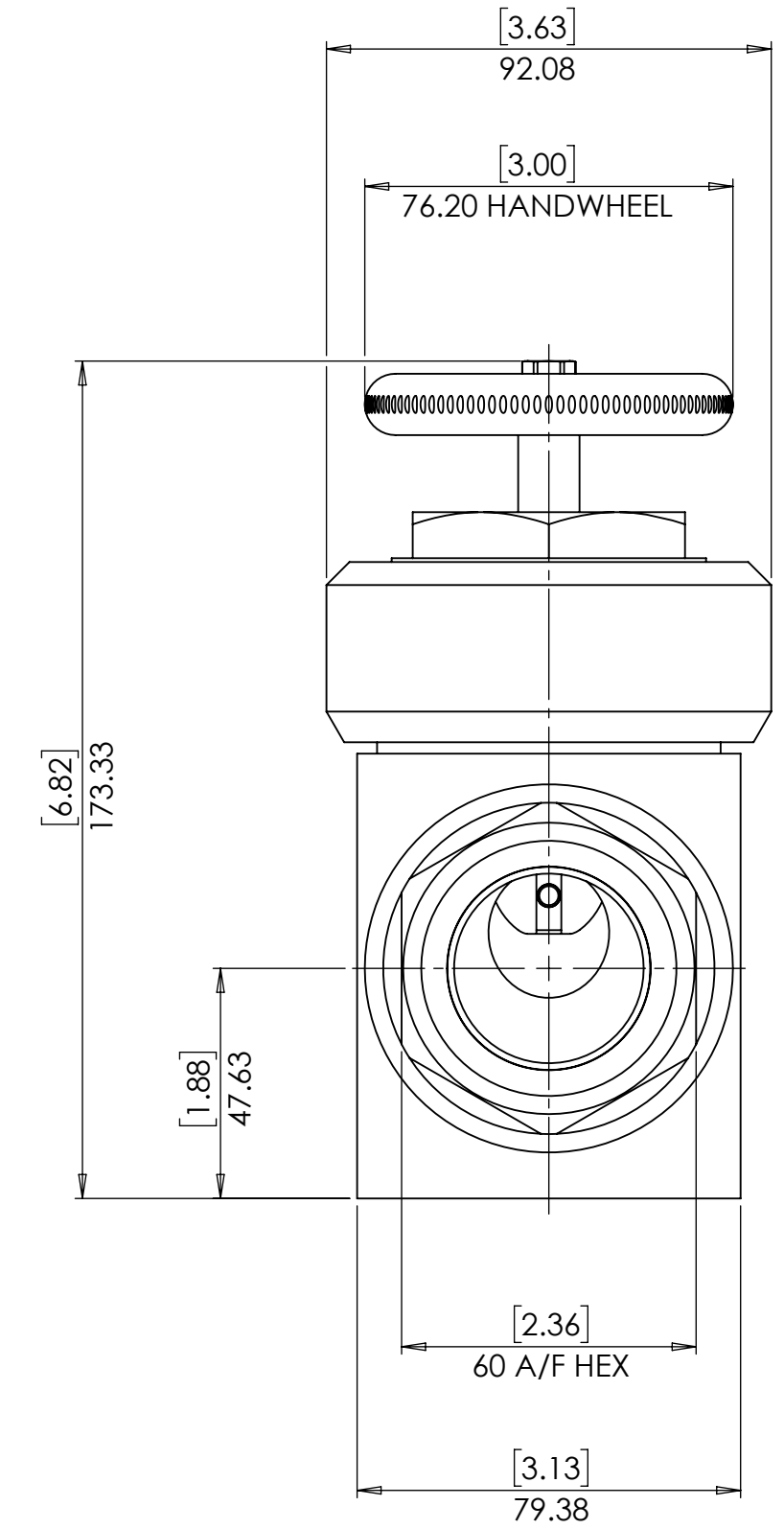
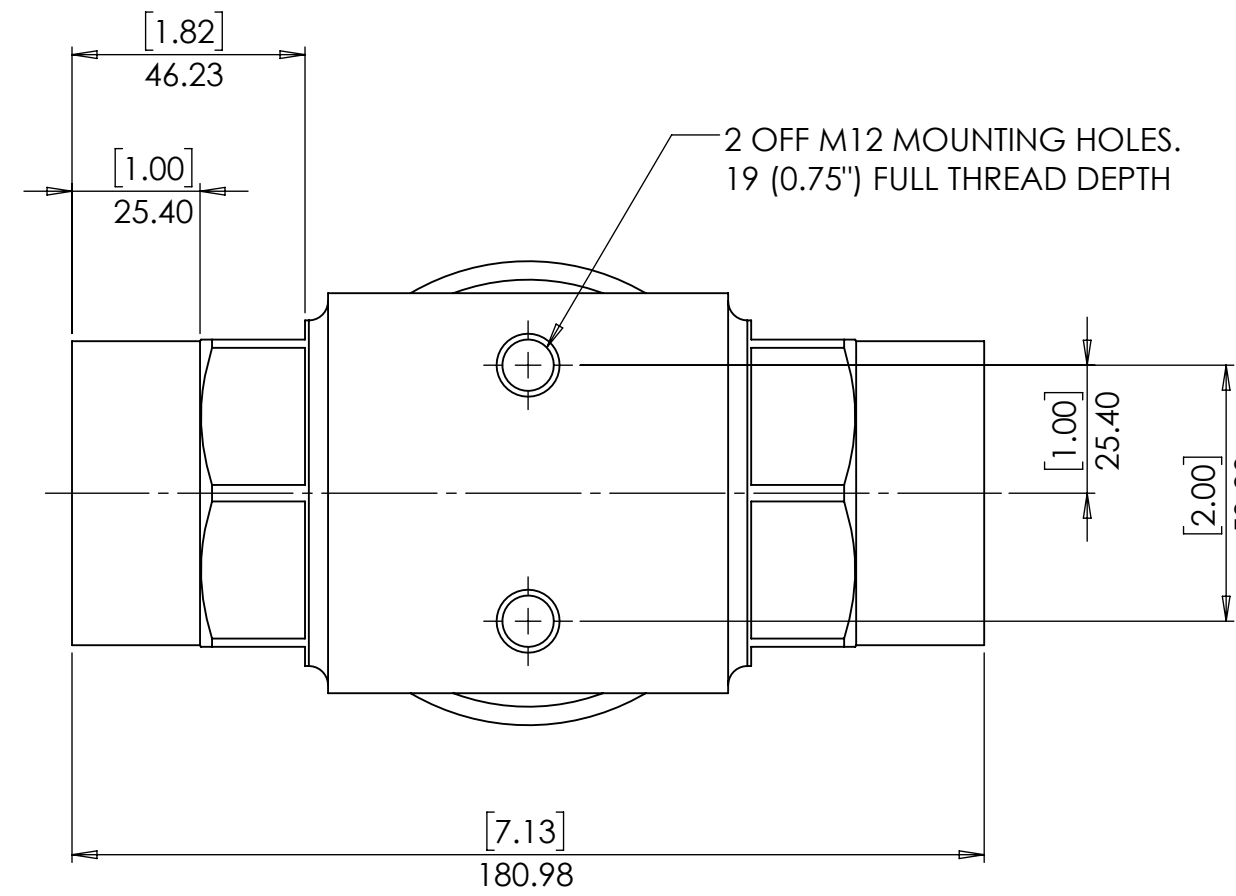
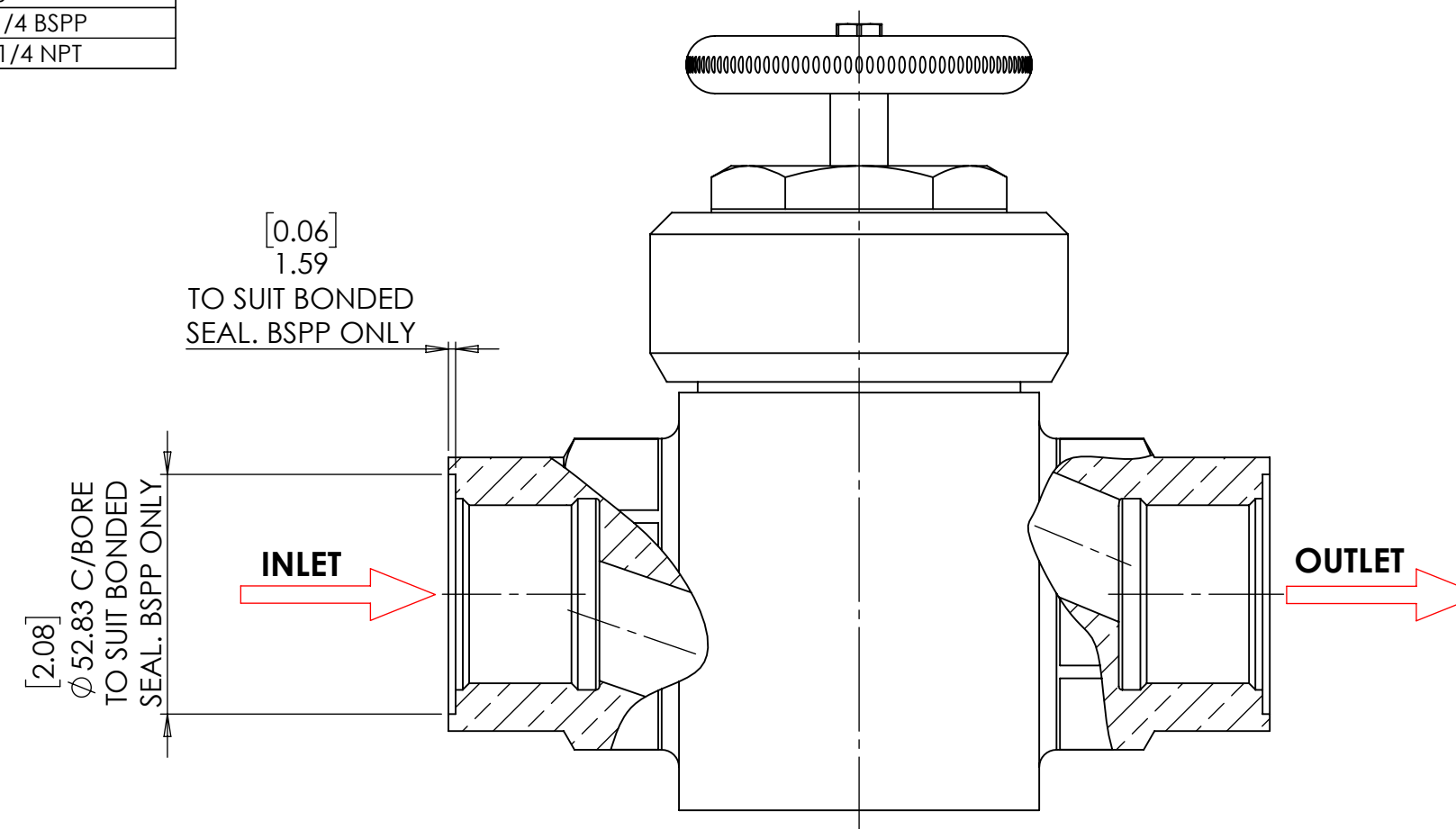
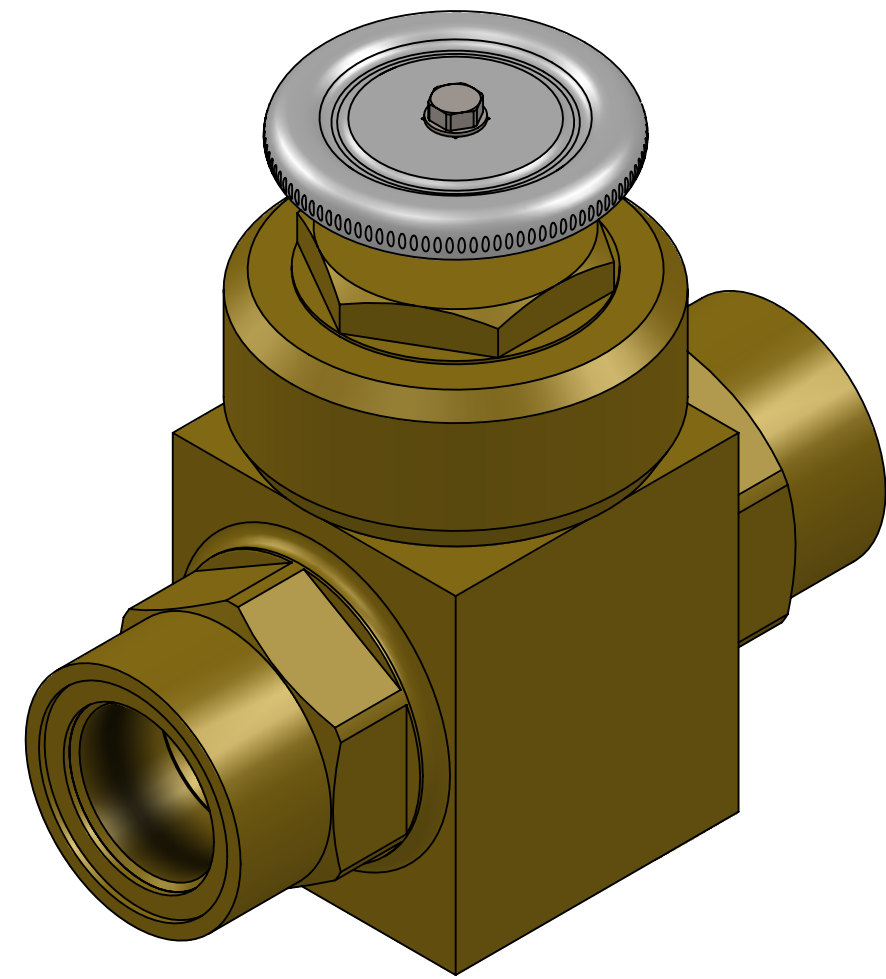
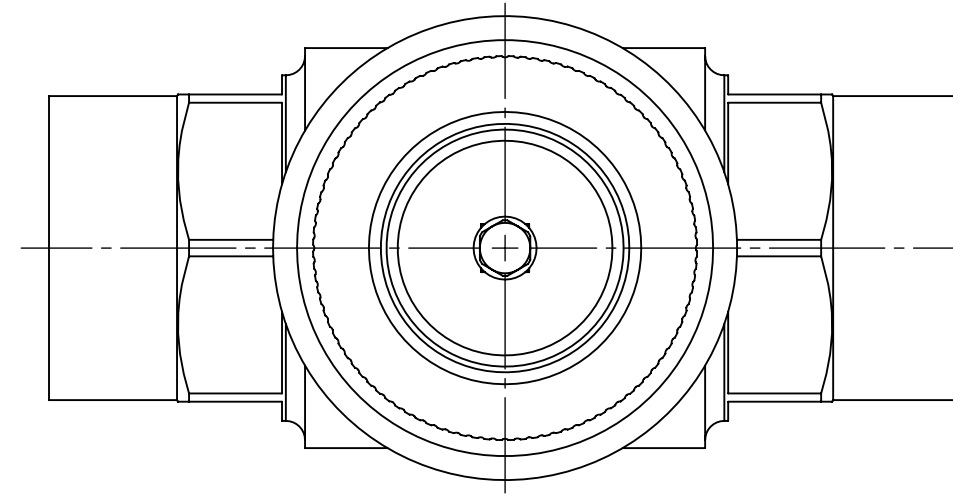
MATERIAL	
A	ALUMINIUM
AB	ALUMINIUM BRONZE
BR	BRASS
SS	STAINLESS STEEL

SEAT MATERIAL	
NY	POLYMER
PT	PTFE

SEAL MATERIAL	
N	NITRILE
V	VITON

PORTS	
125P	1 1/4 BSPP
125N	1 1/4 NPT

- WEIGHT: 8.1Kg (17.8Lb)
- ORIFICE DIAMETER: 25.4mm (1")



© AND DESIGN RIGHT Bis Wells LTD. ALL RIGHTS RESERVED. WITHOUT THE PRIOR WRITTEN PERMISSION OF Bis Wells Ltd NO PART OF THIS DOCUMENT MAY BE ALTERED, ADAPTED, PUBLISHED, REPRODUCED OR TRANSMITTED IN ANY FORM OR MEDIUM.				UNLESS OTHERWISE SPECIFIED DIMENSIONS ARE IN INCHES 1. LINEAR TOLERANCES : ±0.1" 2. ANGULAR TOLERANCES : ± 2°						
DRAWN	J.PHELAN	SHEET	1 OF 1	3RD ANGLE PROJECTION	DRAWING SIZE	A2	DRAWING SCALE	1:2	DRAWING NUMBER	DS0009
DATE	24/07/19	ISSUE	2							