

DATASHEET

STOP AND FLOW CONTROL VALVES: B2 SERIES

MODEL CODE					
B2-	1	BR	50P	N	NY

MODEL TYPE	
B2	STOP AND FLOW CONTROL VALVE

MAXIMUM INLET PRESSURE	
1	4,000 Psi (275 Bar)

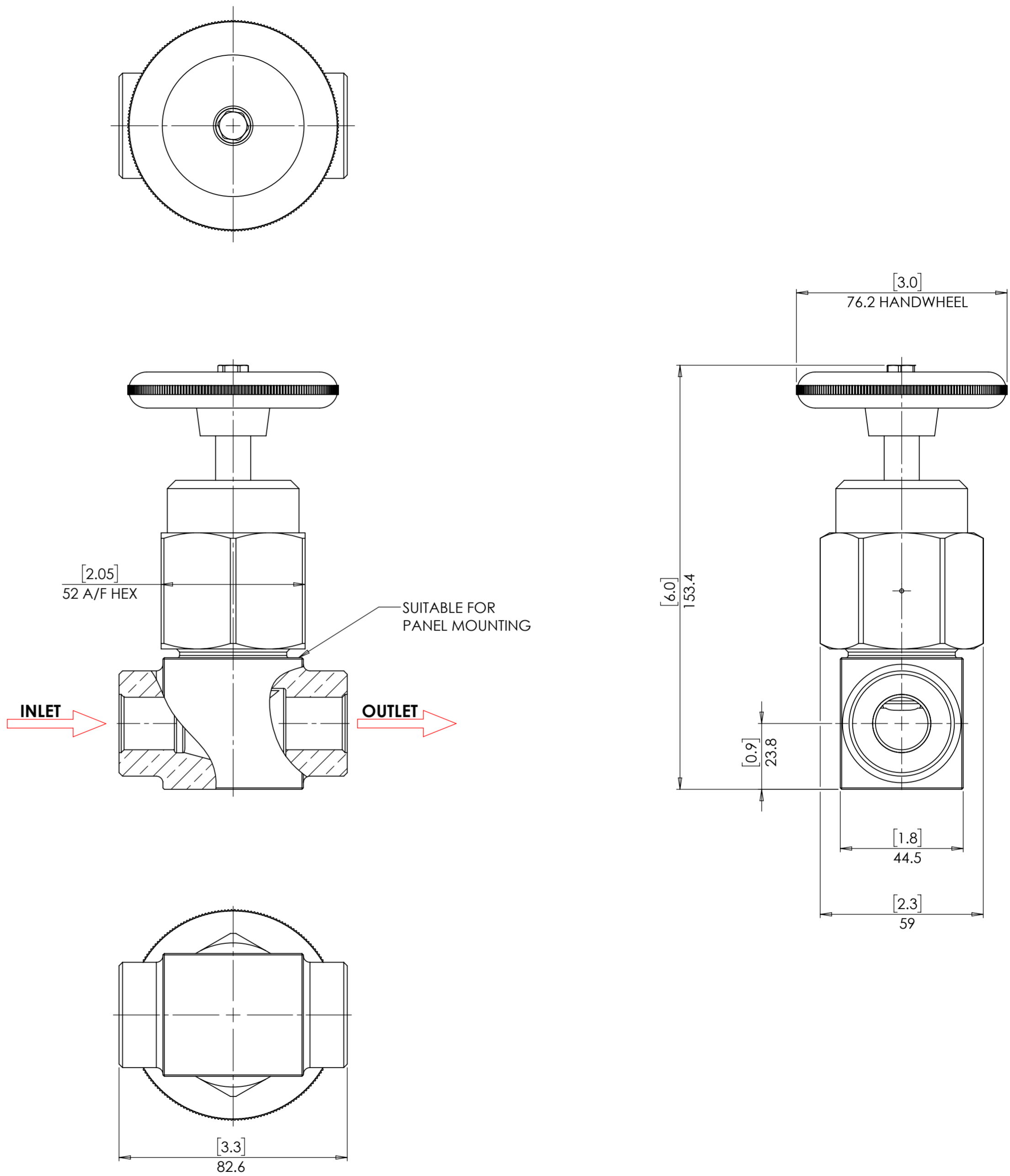
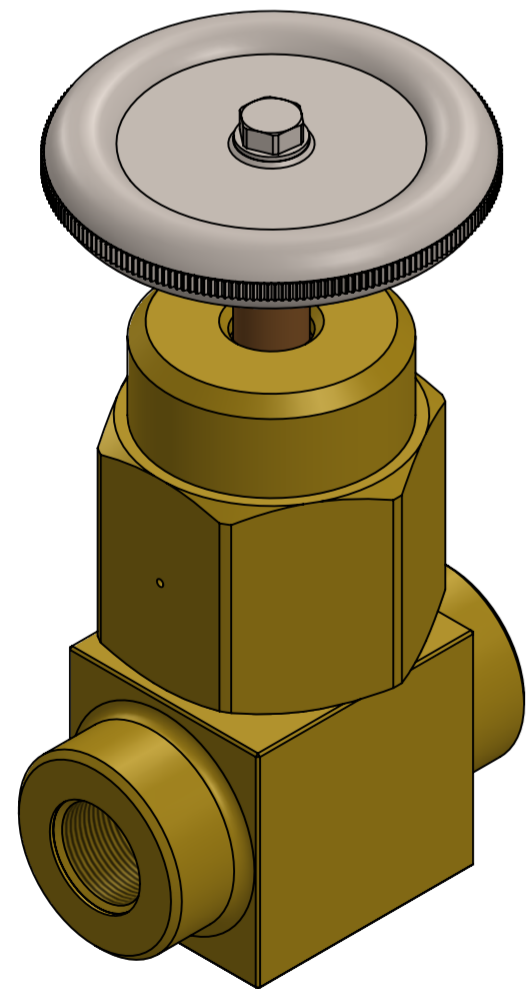
MATERIAL	
A	ALUMINIUM
AB	ALUMINIUM BRONZE
BR	BRASS
SS	STAINLESS STEEL

SEAT MATERIAL	
NY	POLYMER
PT	PTFE

SEAL MATERIAL	
N	NITRILE
V	VITON

PORTS	
37N	3/8" BSPP
37P	3/8" NPT
50P	1/2" BSPP
50N	1/2" NPT

- WEIGHT: 2.1Kg (4.6lb) BRASS
- ORIFICE DIAMETER: 12.7mm (1/2")
- OXYGEN SERVICE VERSION AVAILABLE
- SUITABLE FOR BOTH GAS AND LIQUID
- SUITABLE FOR PANEL MOUNTING



© AND DESIGN RIGHT Bis Wells LTD. ALL RIGHTS RESERVED. WITHOUT THE PRIOR WRITTEN PERMISSION OF Bis Wells Ltd NO PART OF THIS DOCUMENT MAY BE ALTERED, ADAPTED, PUBLISHED, REPRODUCED OR TRANSMITTED IN ANY FORM OR MEDIUM.				UNLESS OTHERWISE SPECIFIED DIMENSIONS ARE IN INCHES 1. LINEAR TOLERANCES : ±0.1" 2. ANGULAR TOLERANCES : ±2°			
DRAWN	J.PHELAN	SHEET	1 OF 1	DRAWING SIZE	A2	DRAWING SCALE	1:2
DATE	24/07/19	ISSUE	1	3RD ANGLE PROJECTION			DRAWING NUMBER
							DS0010