

DATASHEET

PRESSURE REGULATOR: A120 AND A121

MODEL CODE							
A120 -	1	1	AA	150P	N	NY	0

MODEL TYPE	
A120 -	DOME LOADED INTERNALLY
A121 -	DOME LOADED EXTERNALLY

MAXIMUM INLET PRESSURE	
1	1,000 Psi (70 Bar)

SET PRESSURE RANGE	
1	0.75 ~ 900 Psi (0.05 ~ 62 Bar)

MATERIAL	
AA	ALUMINIUM ALLOY
SS	STAINLESS STEEL
AB	ALUMINIUM BRONZE
BR	BRASS

GAUGE PORT	
0	NO PORT
GI	1/4" BSPP INLET
GO	1/4" BSPP OUTLET
GB	1/4" BSPP INLET & OUTLET

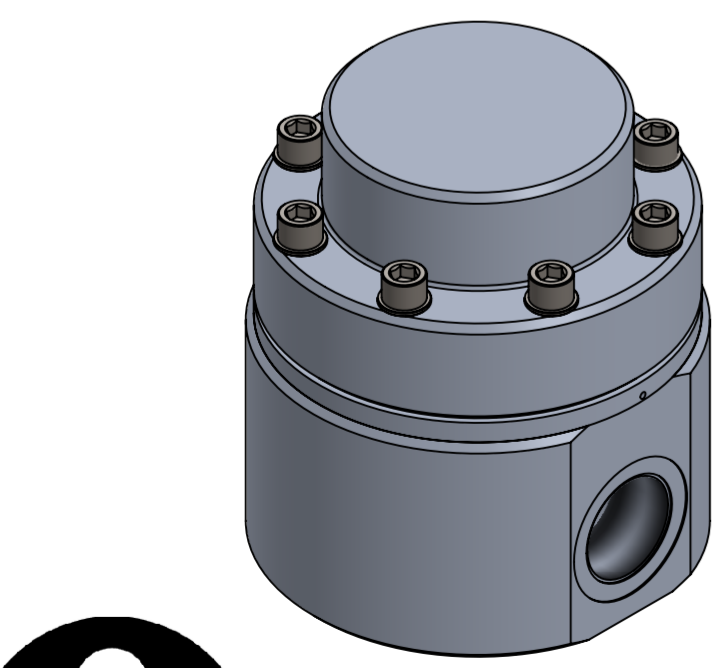
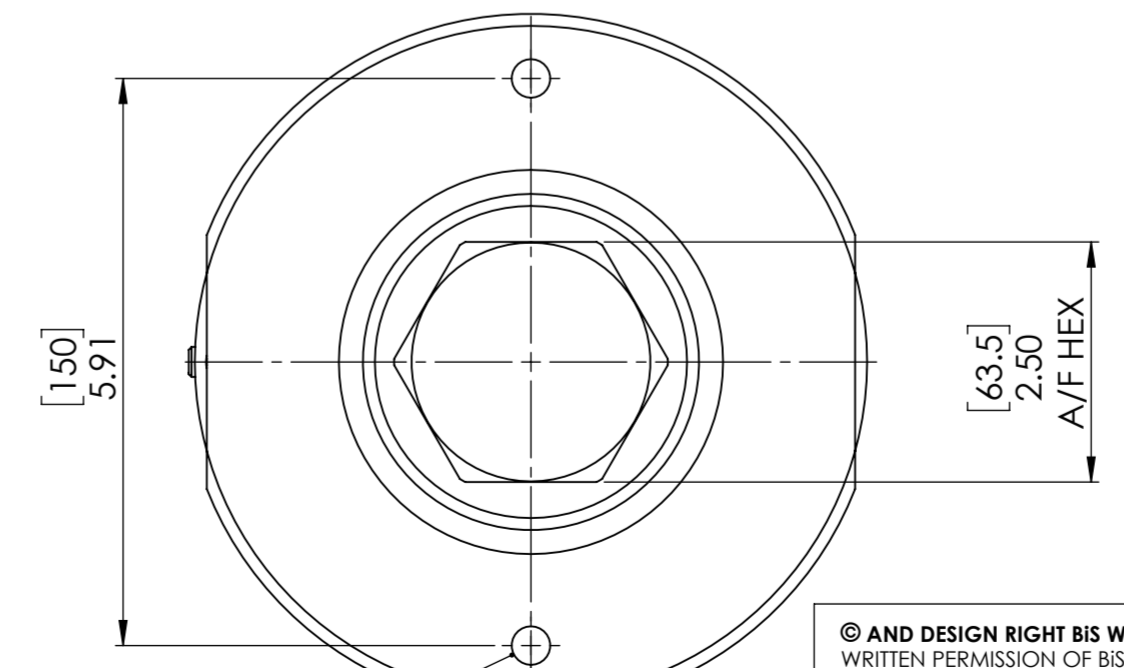
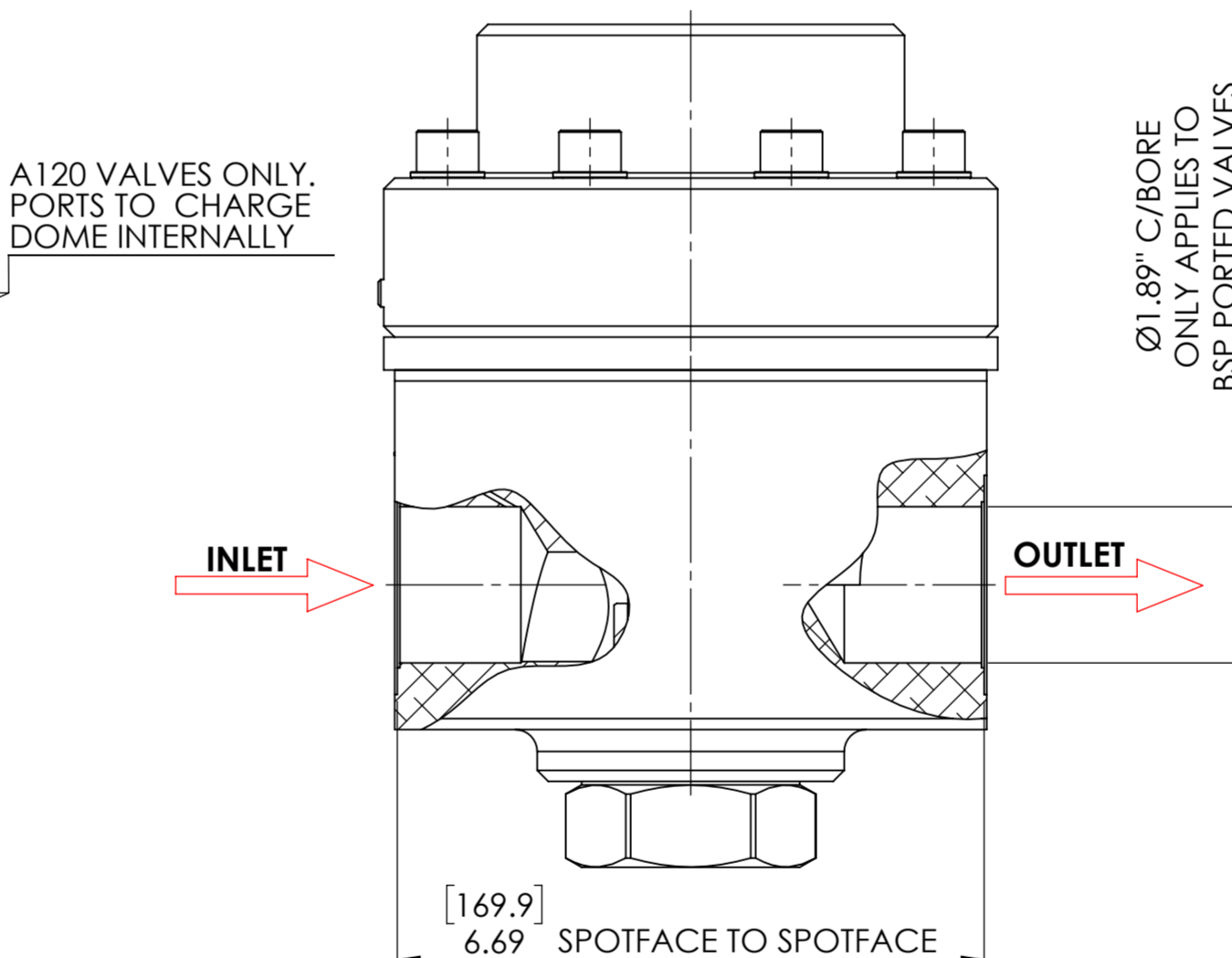
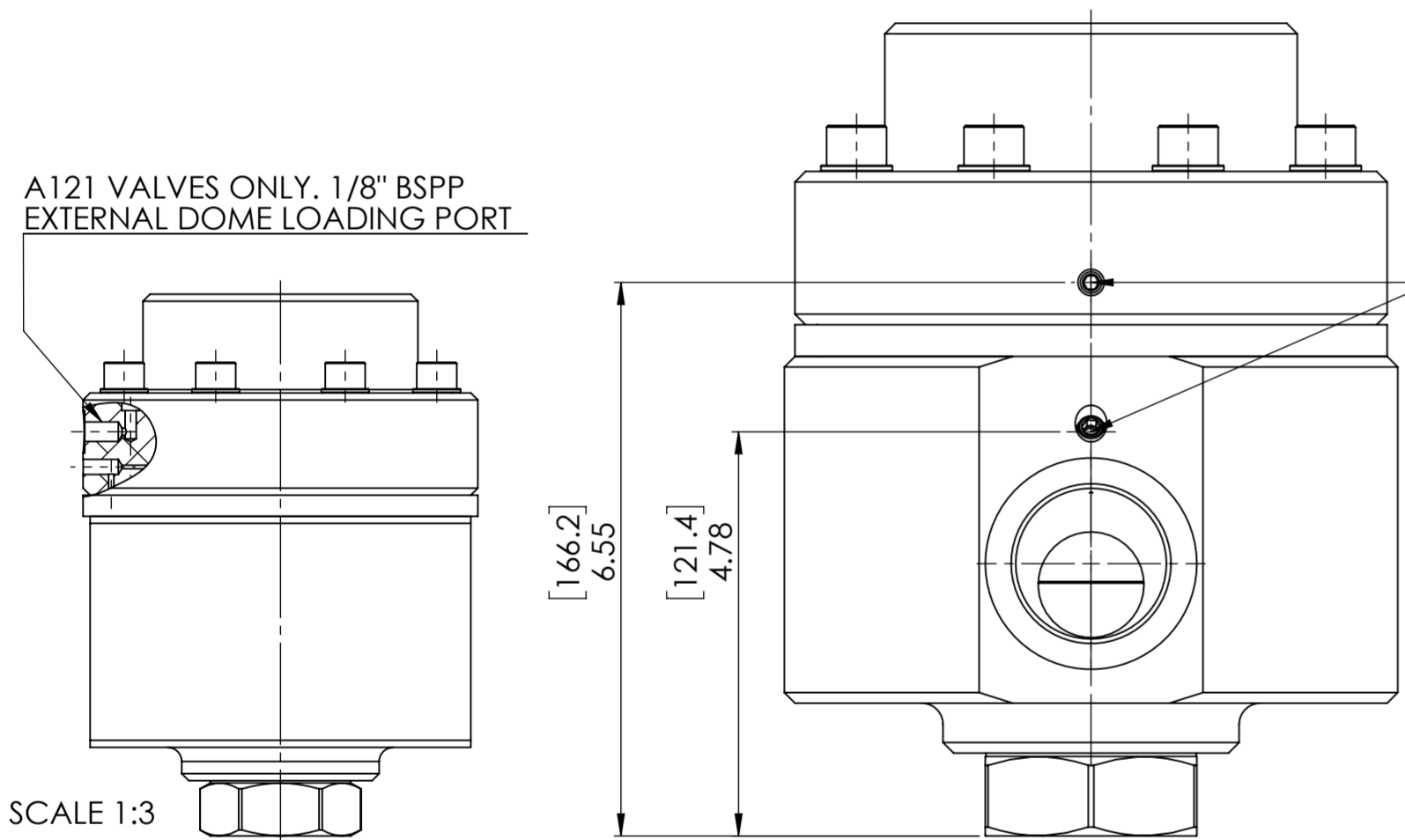
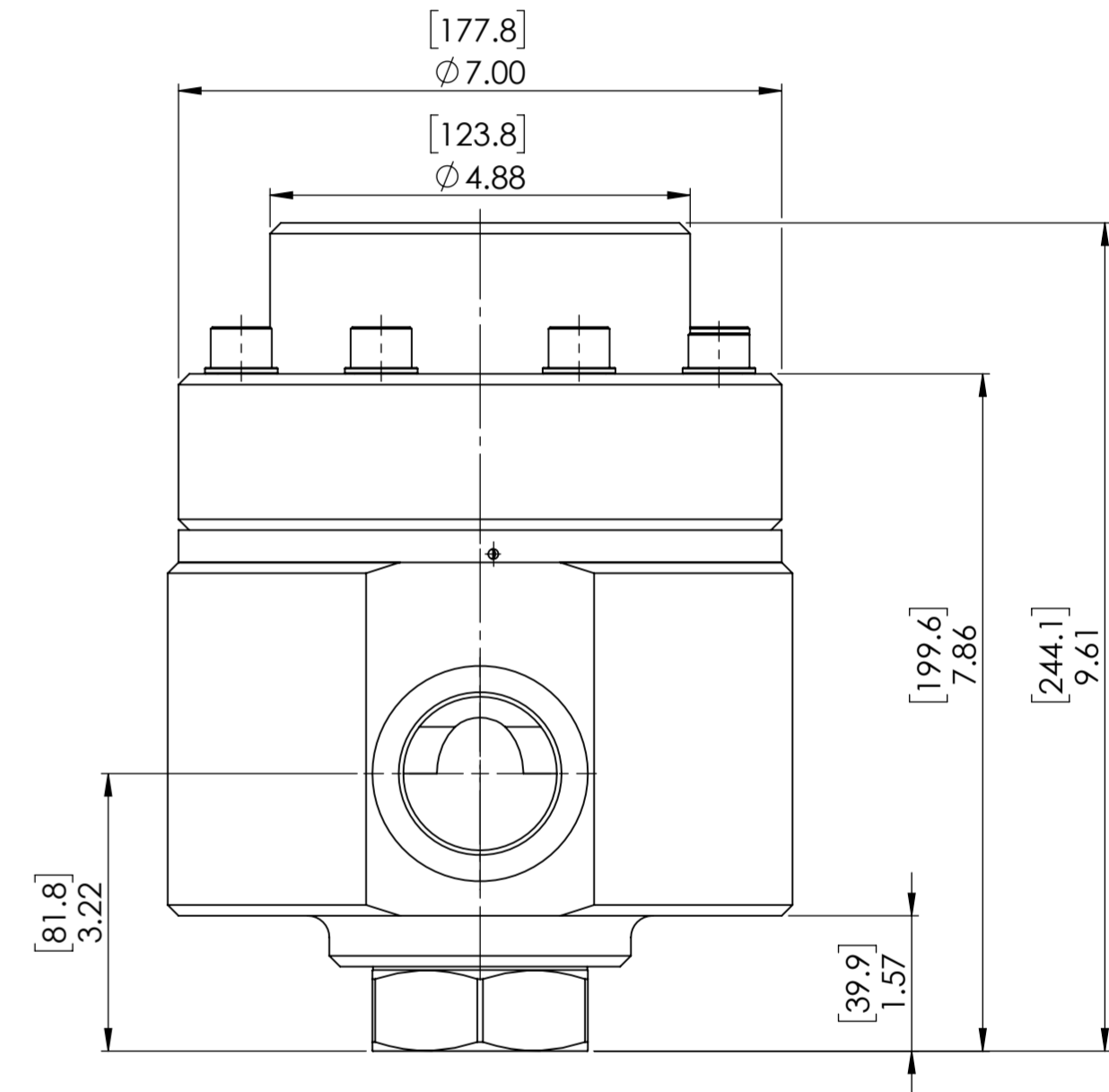
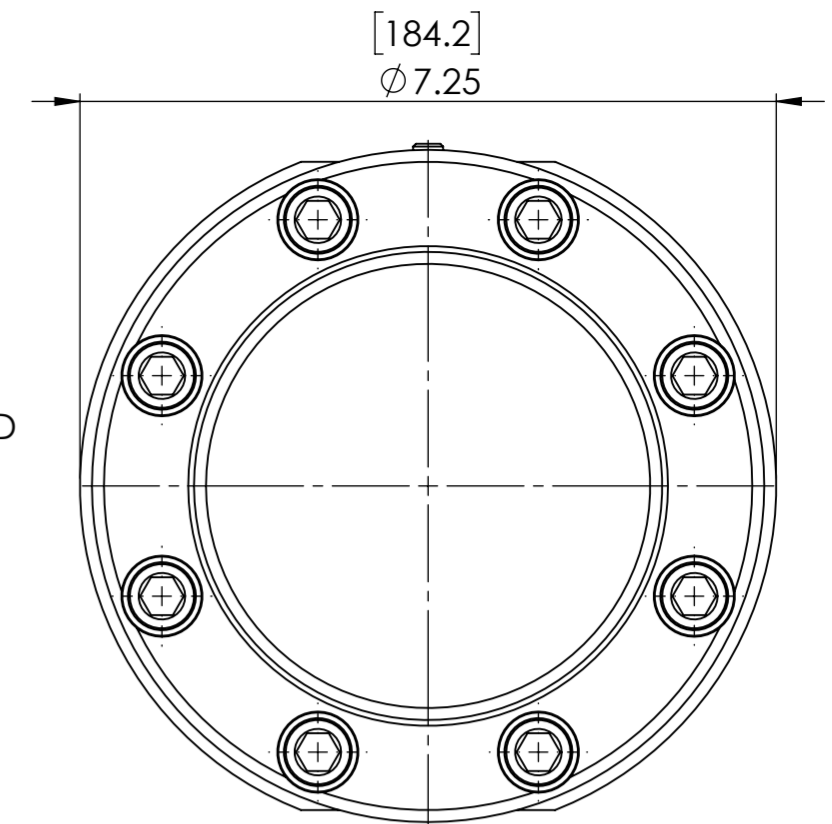
SEAT MATERIAL	
NY	NYLON

SEALS	
N	NITRILE
V	VITON

PORTING	
150P	1 1/2" BSPP
150N	1 1/2" NPT

SPECIFICATION

- ORIFICE: 25.4mm (1")
- MEDIUM: A120 - GAS ONLY
- MEDIUM: A121 - GAS AND LIQUID
- CAPACITY VALUE: 6.5
- DRY WEIGHT: 7.0 kg (15.4 lb)
(ALUMINIUM ALLOY)
- OXYGEN SERVICE AVAILABLE



2 OFF MOUNTING HOLES
M12 x 15mm DEEP (0.59")

© AND DESIGN RIGHT Bis Wells LTD. ALL RIGHTS RESERVED. WITHOUT THE PRIOR WRITTEN PERMISSION OF Bis Wells Ltd NO PART OF THIS DOCUMENT MAY BE ALTERED, ADAPTED, PUBLISHED, REPRODUCED OR TRANSMITTED IN ANY FORM OR MEDIUM.				UNLESS OTHERWISE SPECIFIED DIMENSIONS ARE IN INCHES 1. LINEAR TOLERANCES : ±0.1" 2. ANGULAR TOLERANCES : ±2°						
DRAWN	N.DANIEL	SHEET	1 OF 1	3RD ANGLE PROJECTION	DRAWING SIZE	A2	DRAWING SCALE	1:2	DRAWING NUMBER	DS0013
DATE	02/10/2019	ISSUE	1							