

# DATASHEET

## STOP AND FLOW CONTROL VALVES: B12 SERIES

MODEL CODE					
B12 -	1	BR	150P	N	NY

MODEL TYPE	
B12	STOP AND FLOW CONTROL VALVE

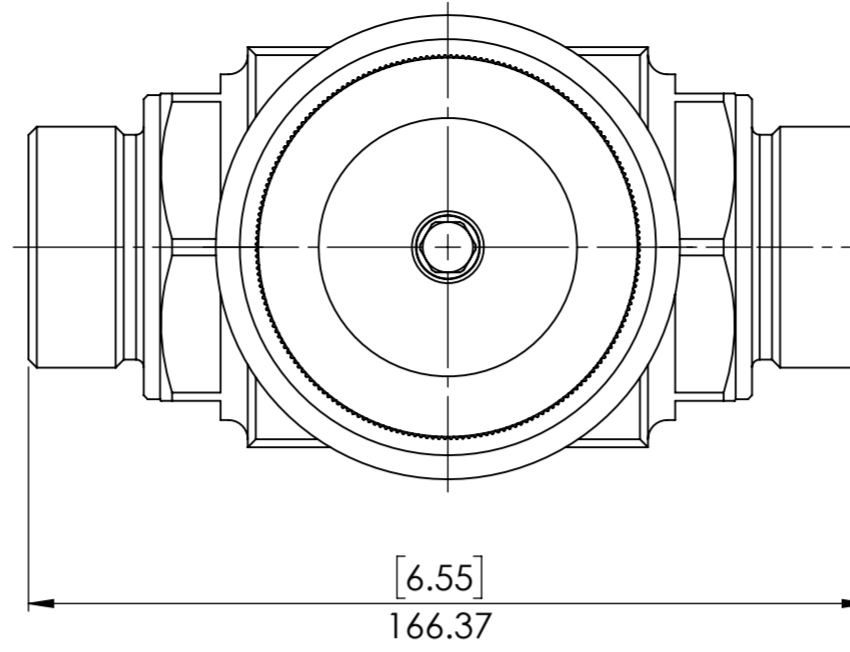
MAXIMUM INLET PRESSURE	
1	4,000 Psi (275 Bar)

MATERIAL	
A	ALUMINIUM
AB	ALUMINIUM BRONZE
BR	BRASS
SS	STAINLESS STEEL

SEAT MATERIAL	
NY	POLYMER
PT	PTFE

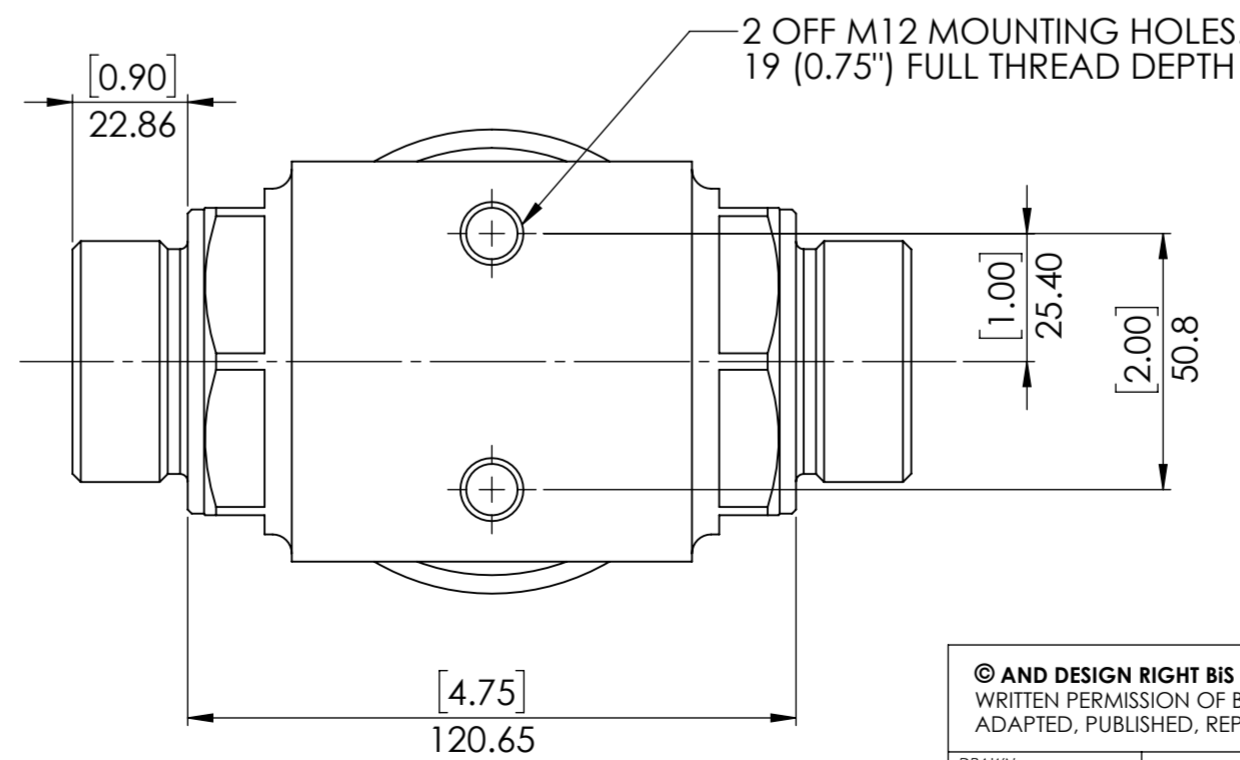
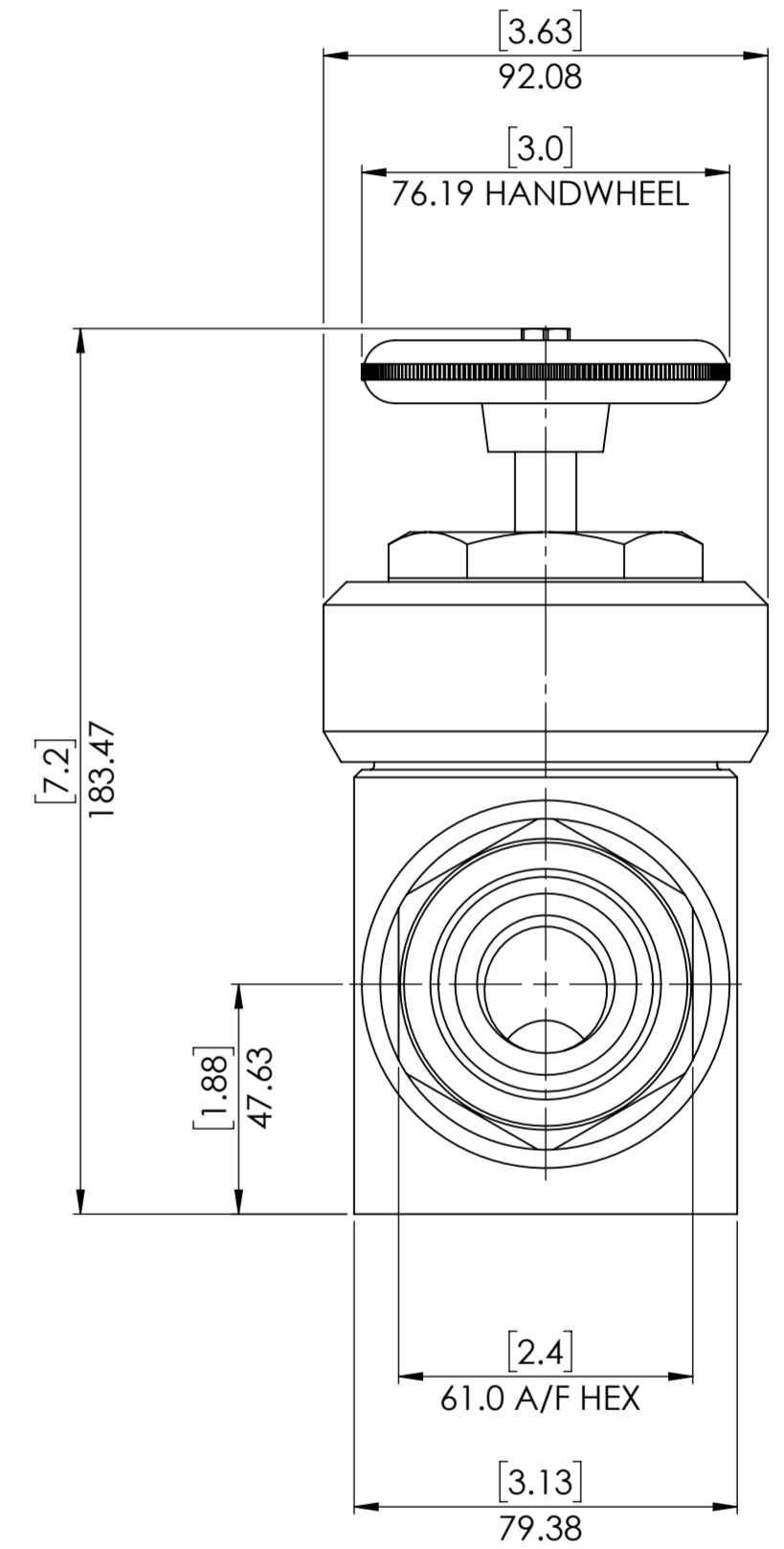
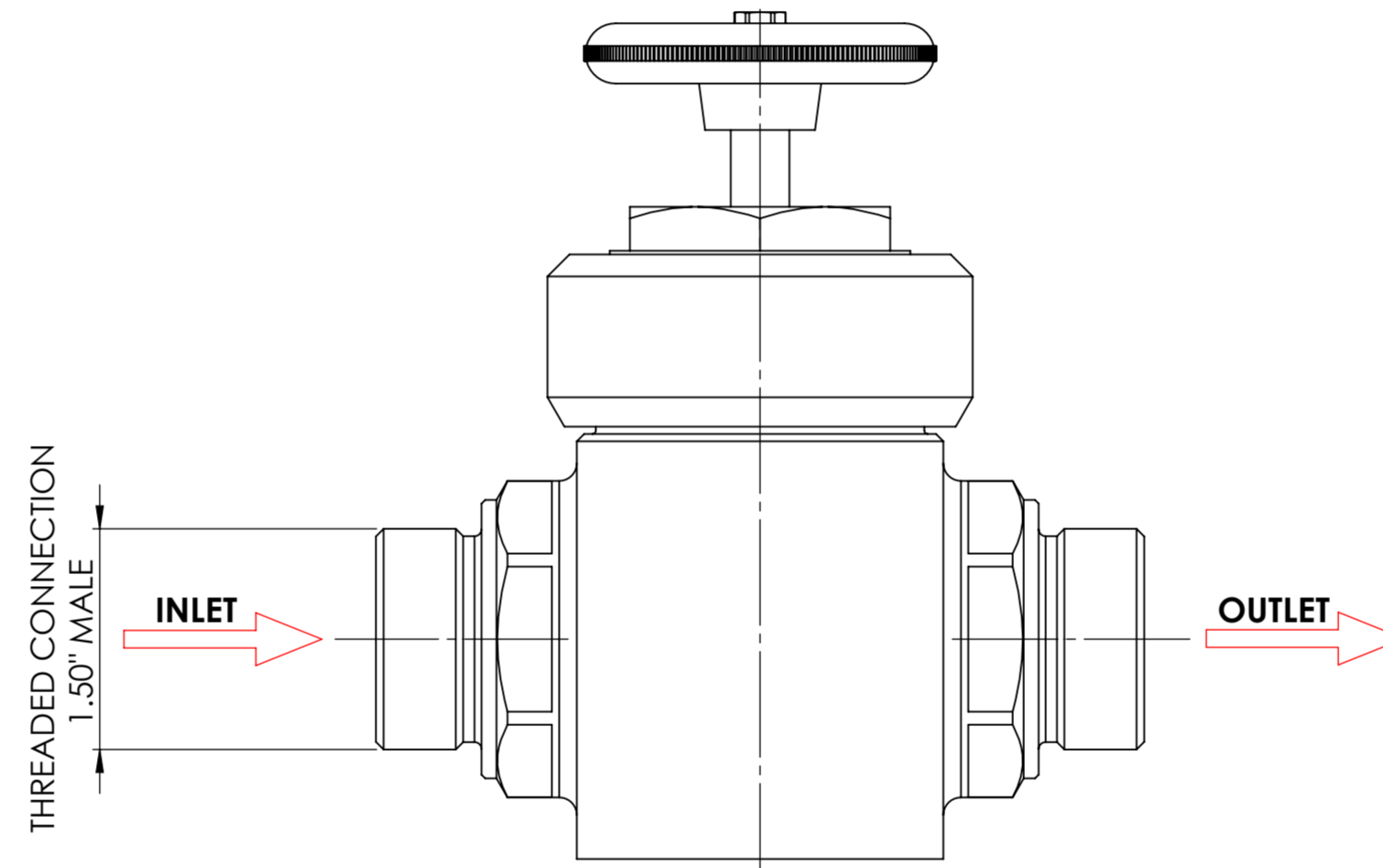
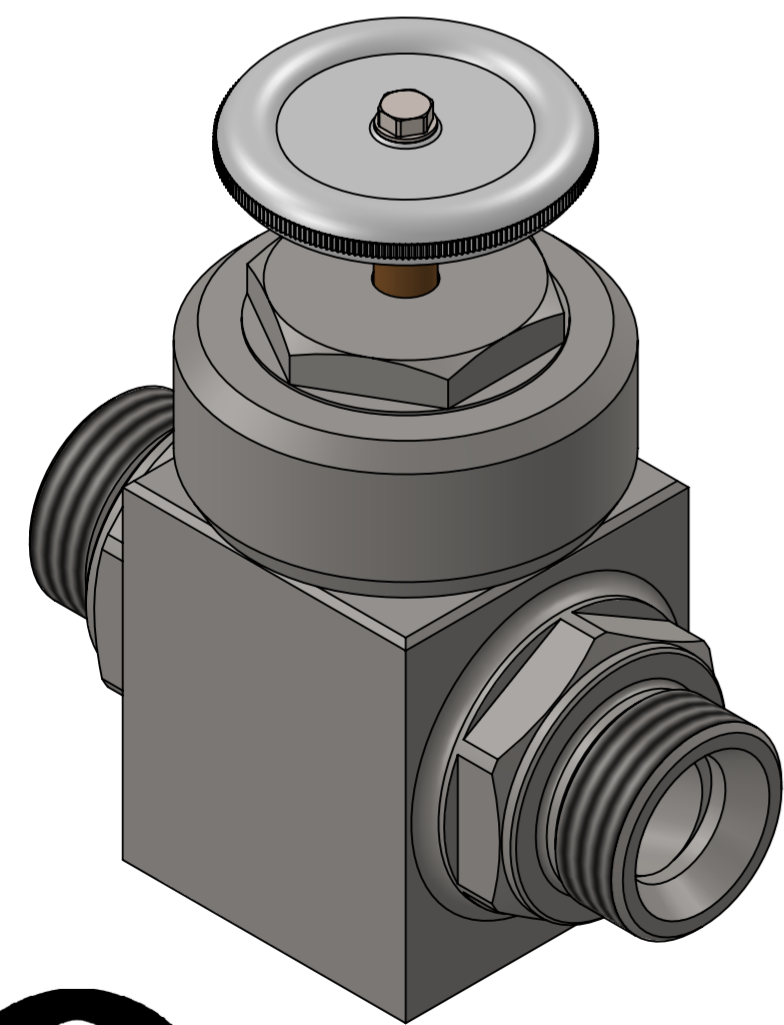
SEAL MATERIAL	
N	NITRILE
V	VITON

PORTS	
150P	1.5" BSPP



### SPECIFICATION

- WEIGHT: 8.1Kg (17.8lb) BRASS
- ORIFICE DIAMETER: 25.4mm (1")
- OXYGEN SERVICE VERSION AVAILABLE
- SUITABLE FOR BOTH GAS AND LIQUID



© AND DESIGN RIGHT Bis Wells LTD. ALL RIGHTS RESERVED. WITHOUT THE PRIOR WRITTEN PERMISSION OF Bis Wells Ltd NO PART OF THIS DOCUMENT MAY BE ALTERED, ADAPTED, PUBLISHED, REPRODUCED OR TRANSMITTED IN ANY FORM OR MEDIUM.				UNLESS OTHERWISE SPECIFIED DIMENSIONS ARE IN INCHES 1. LINEAR TOLERANCES : ±0.1" 2. ANGULAR TOLERANCES : ±2°						
DRAWN	N.DANIEL	SHEET	1 OF 1	3RD ANGLE PROJECTION	DRAWING SIZE	A2	DRAWING SCALE	1:2	DRAWING NUMBER	DS0014
DATE	07/10/219	ISSUE	2							