

DATASHEET

BACK PRESSURE MAINTAINING VALVE (BPMV): H130 AND H131

MODEL CODE							
H130	1	1	AA	300P	N	NY	0

MODEL TYPE	
H130	DOME LOADED INTERNALLY
H131	DOME LOADED EXTERNALLY

MAXIMUM INLET PRESSURE	
1	1,000 Psi (70 Bar)

SET PRESSURE RANGE	
1	0.75 ~ 1,000 Psi (0.05 ~ 70 Bar)

MATERIAL	
AA	ALUMINIUM ALLOY
SS	STAINLESS STEEL
AB	ALUMINIUM BRONZE
BR	BRASS

GAUGE PORT	
0	NO PORT
GI	1/4" BSPP INLET
GO	1/4" BSPP OUTLET
GB	1/4" BSPP INLET & OUTLET

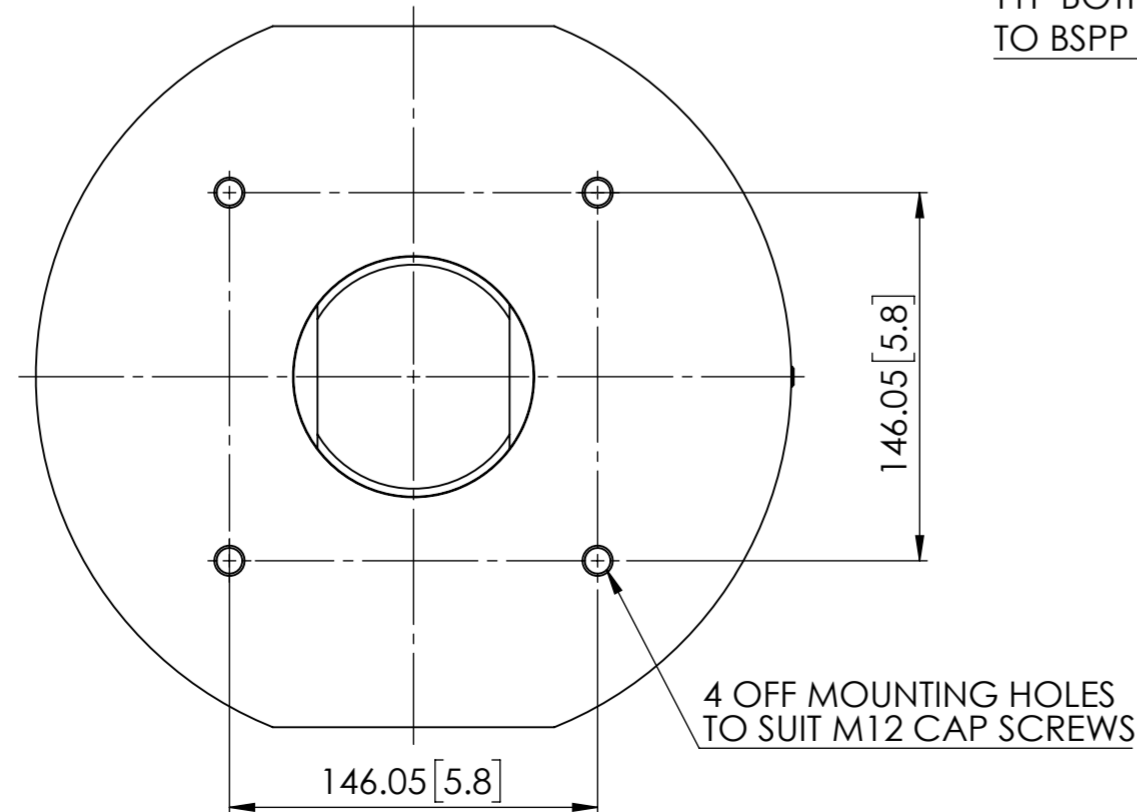
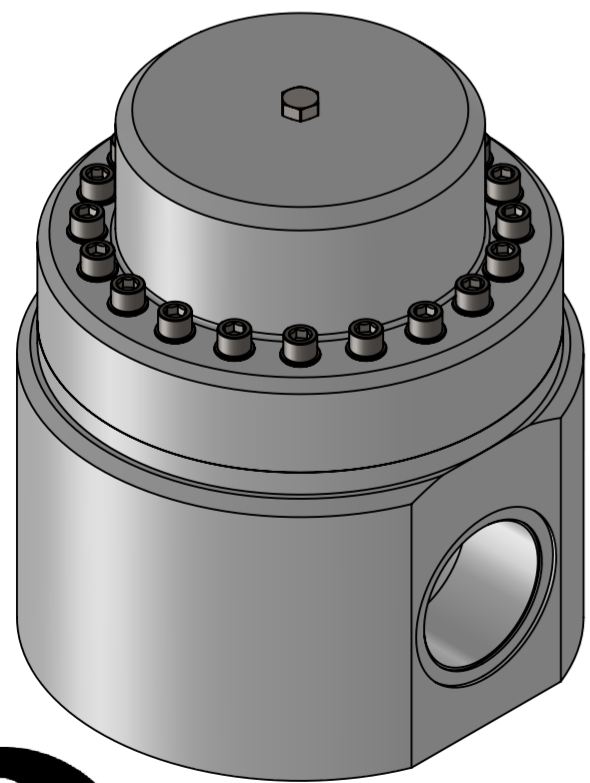
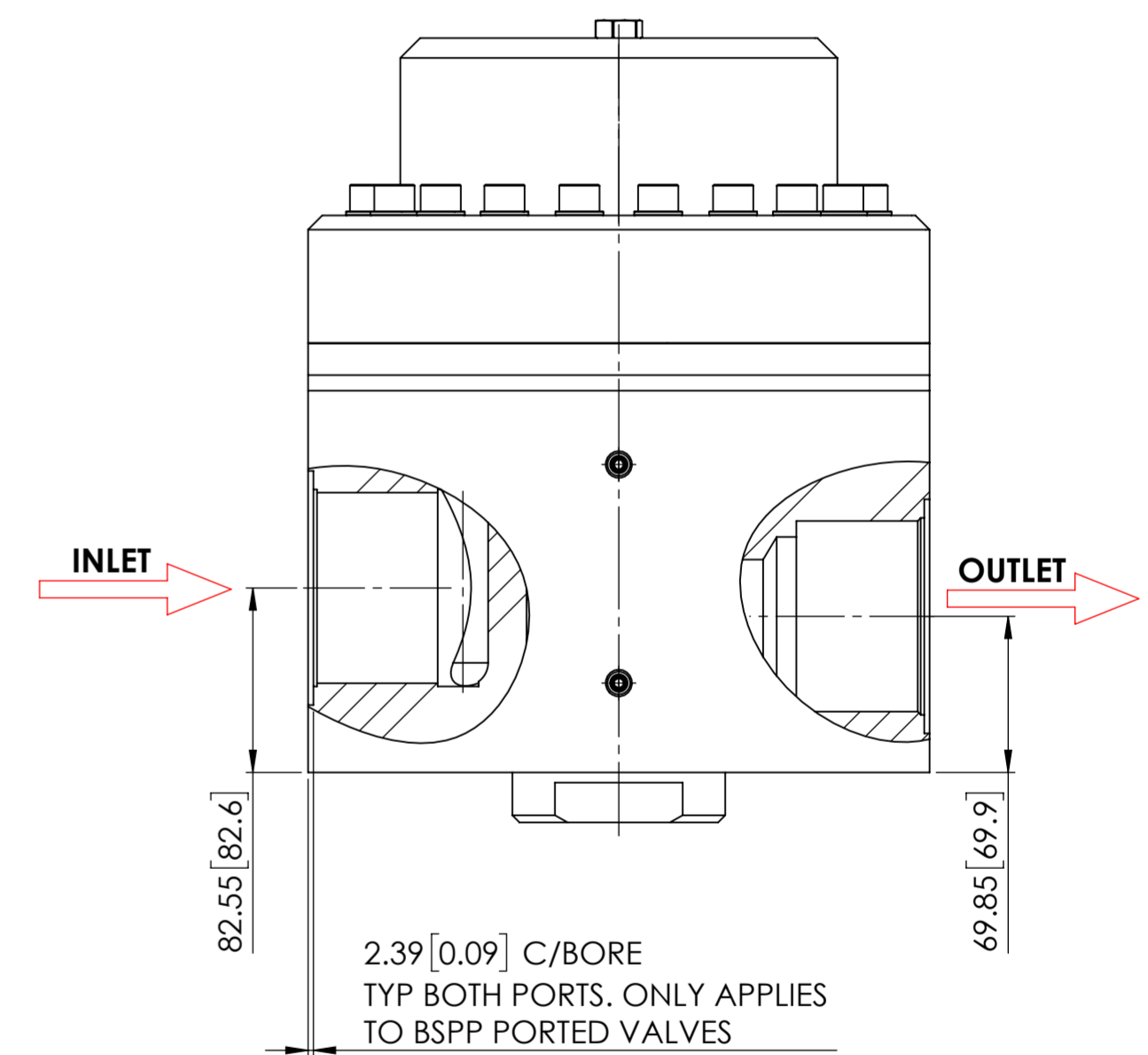
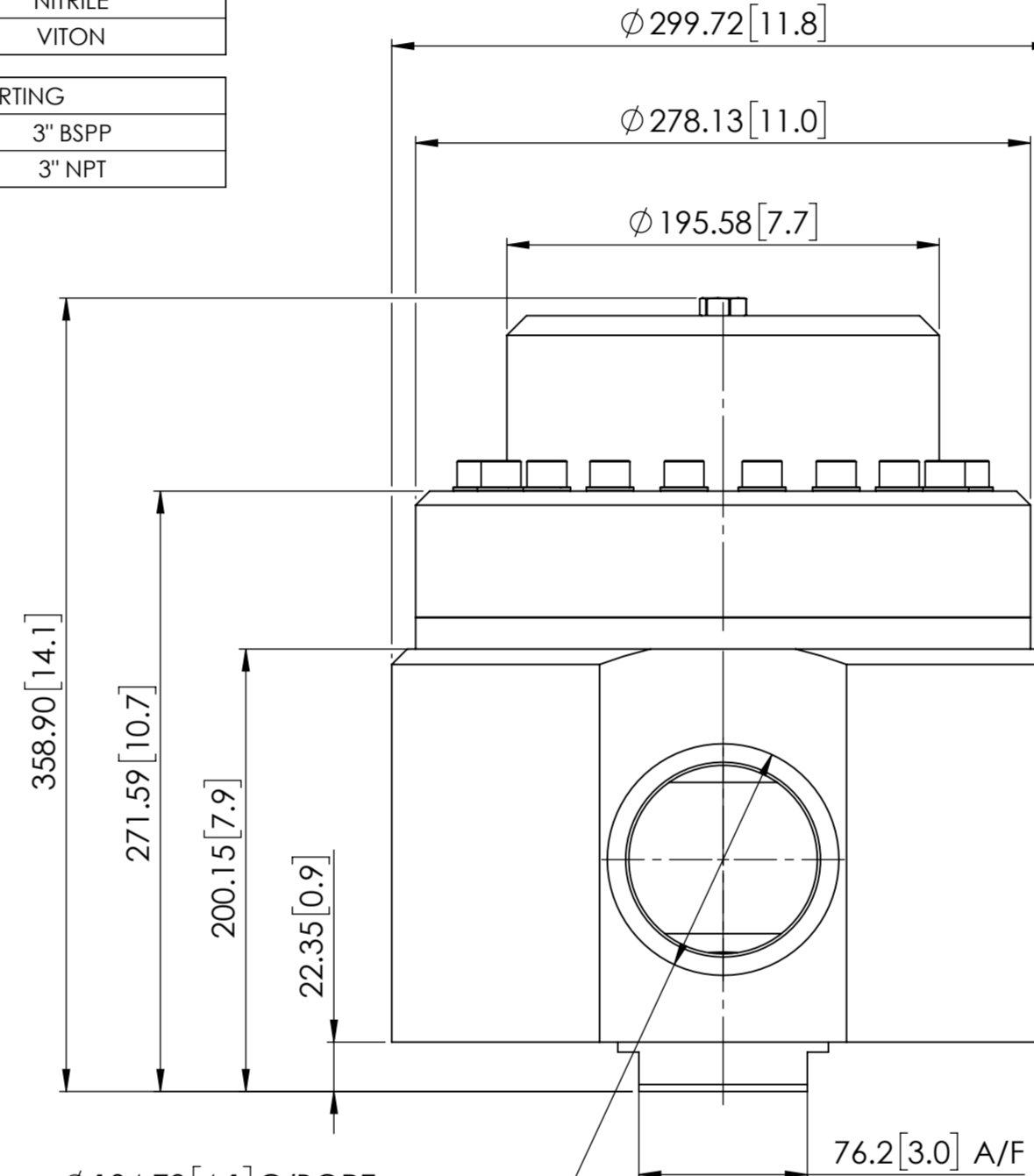
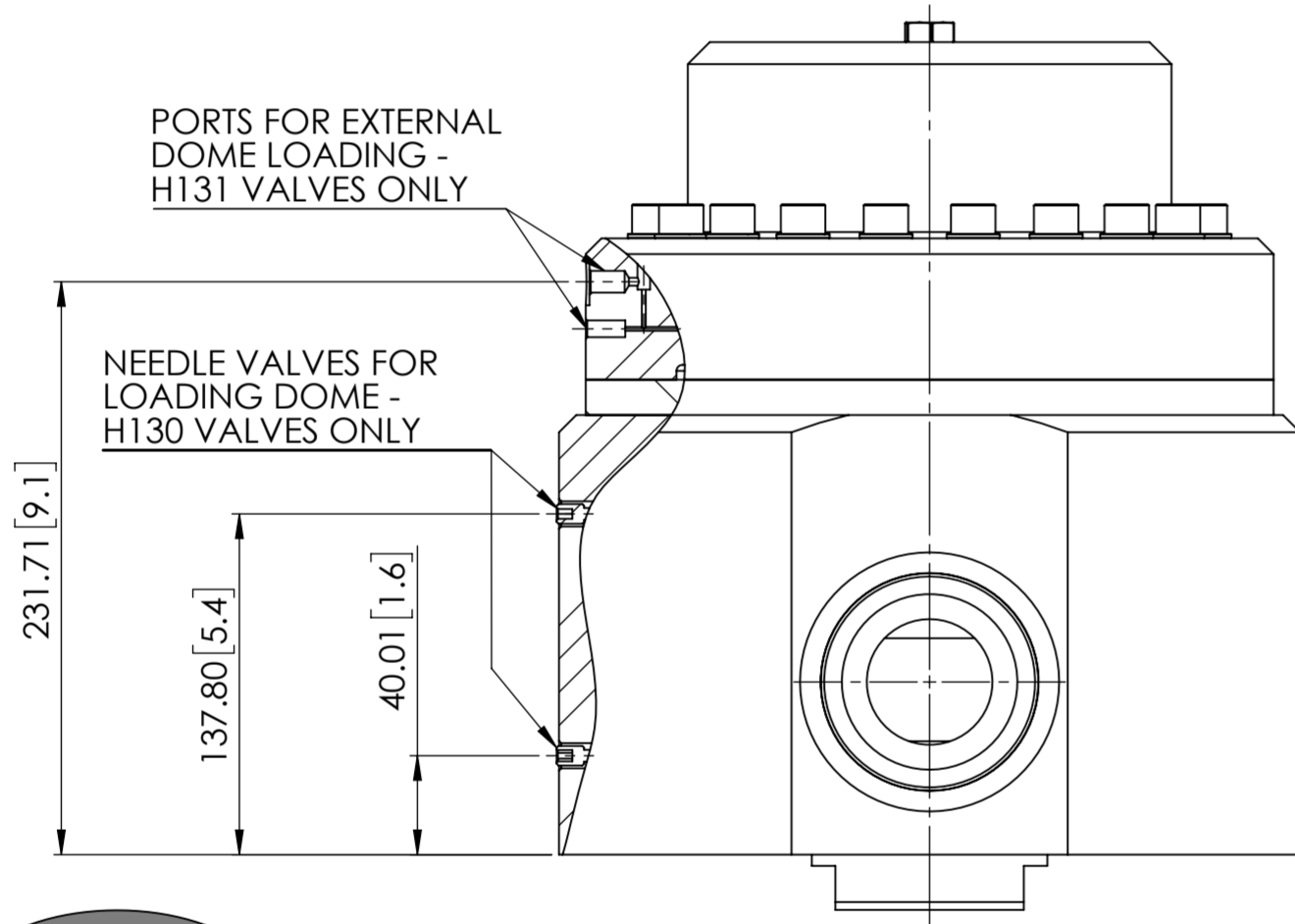
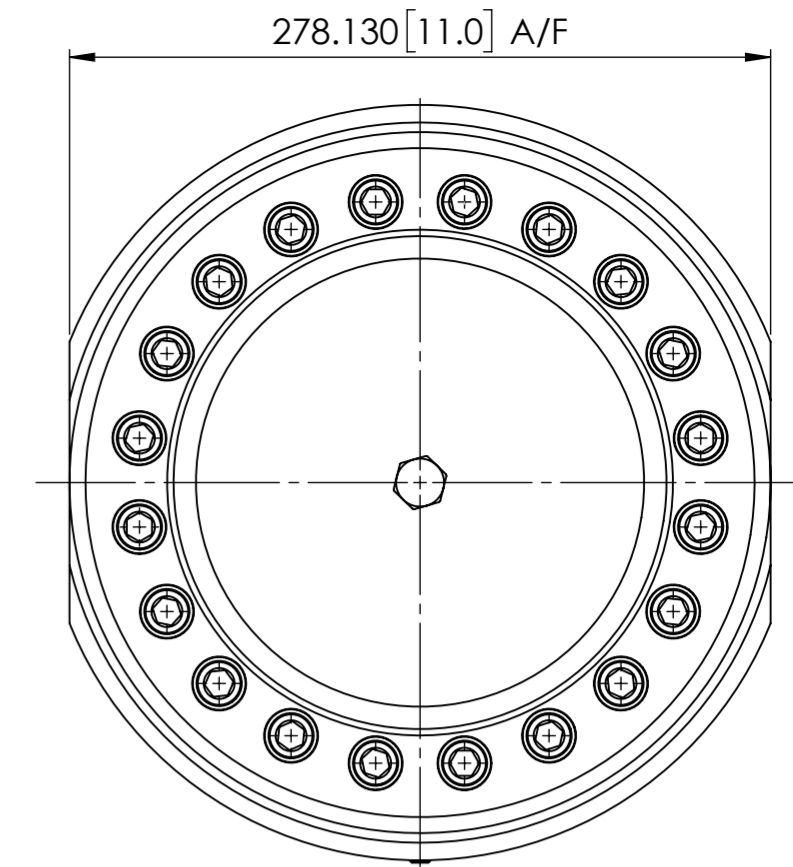
SEAT MATERIAL	
NY	NYLON

SEALS	
N	NITRILE
V	VITON

PORTING	
300P	3" BSPP
300N	3" NPT

SPECIFICATION

- ORIFICE: 50.8mm
- MEDIUM: H130 - GAS ONLY
- MEDIUM: H131 - GAS AND LIQUID
- DRY WEIGHT: 29 kg (64.0 lb)
(ALUMINIUM ALLOY)



© AND DESIGN RIGHT BIS WELLS LTD. ALL RIGHTS RESERVED. WITHOUT THE PRIOR WRITTEN PERMISSION OF BIS WELLS LTD NO PART OF THIS DOCUMENT MAY BE ALTERED, ADAPTED, PUBLISHED, REPRODUCED OR TRANSMITTED IN ANY FORM OR MEDIUM.				UNLESS OTHERWISE SPECIFIED DIMENSIONS ARE IN MM 1. LINEAR TOLERANCES : ±0.1" 2. ANGULAR TOLERANCES : ±2°						
DRAWN	N.DANIEL	SHEET	1 OF 1	 3RD ANGLE PROJECTION	DRAWING SIZE	A2	DRAWING SCALE	1:4	DRAWING NUMBER	DS0021
DATE	29/11/19	ISSUE	1							