

DATASHEET

PRESSURE REGULATOR: A130 AND A131

| MODEL CODE | | | | | | | |
|------------|---|---|----|------|---|----|---|
| A130 - | 1 | 1 | AA | 300P | N | NY | 0 |

| MODEL TYPE | |
|------------|------------------------|
| A130 - | DOME LOADED INTERNALLY |
| A131 - | DOME LOADED EXTERNALLY |

| MAXIMUM INLET PRESSURE | |
|------------------------|--------------------|
| 1 | 1,000 Psi (70 Bar) |

| SET PRESSURE RANGE | |
|--------------------|-----------------------------|
| 1 | 10 ~ 900 Psi (073 ~ 62 Bar) |

| MATERIAL | |
|----------|------------------|
| AA | ALUMINIUM ALLOY |
| SS | STAINLESS STEEL |
| AB | ALUMINIUM BRONZE |
| BR | BRASS |

| GAUGE PORT | |
|------------|--------------------------|
| 0 | NO PORT |
| GI | 1/4" BSPP INLET |
| GO | 1/4" BSPP OUTLET |
| GB | 1/4" BSPP INLET & OUTLET |

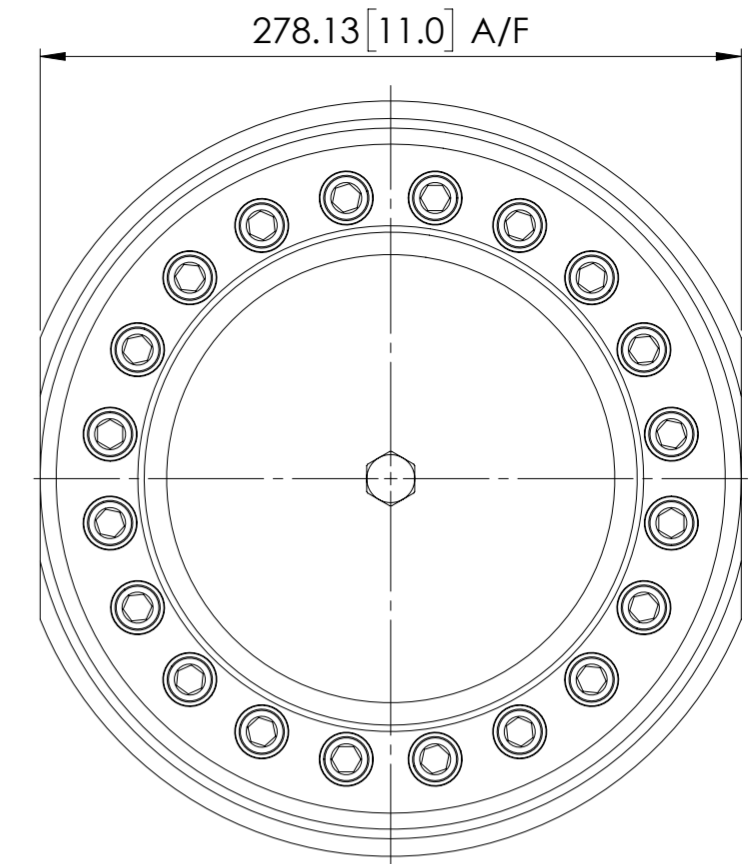
| SEAT MATERIAL | |
|---------------|-------|
| NY | NYLON |

| SEALS | |
|-------|---------|
| N | NITRILE |
| V | VITON |

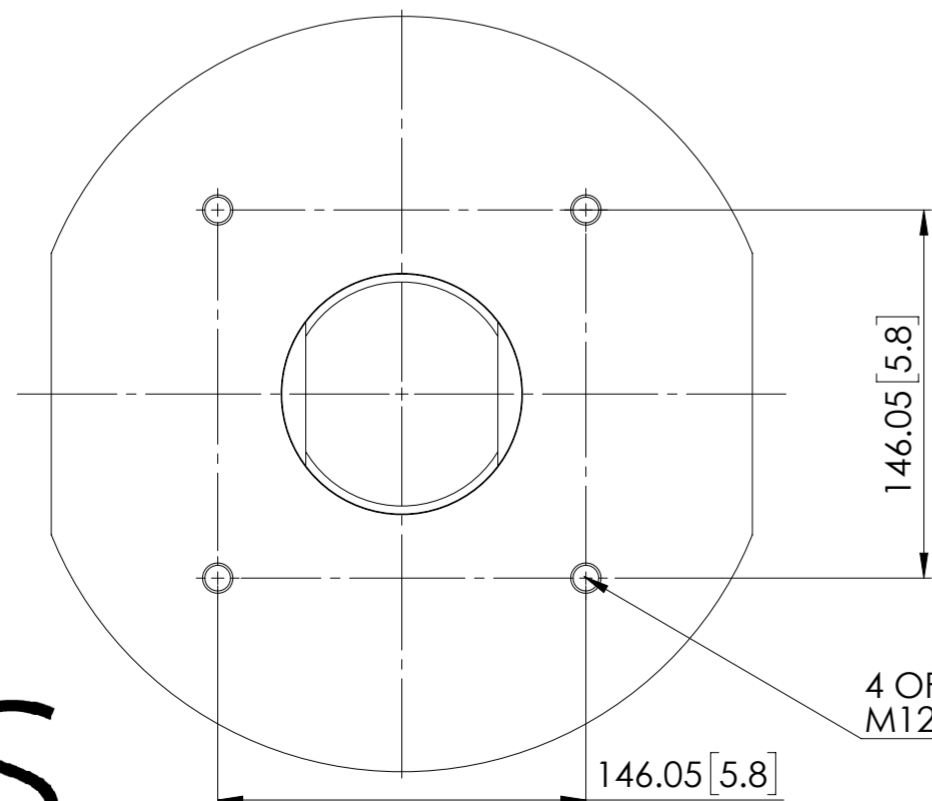
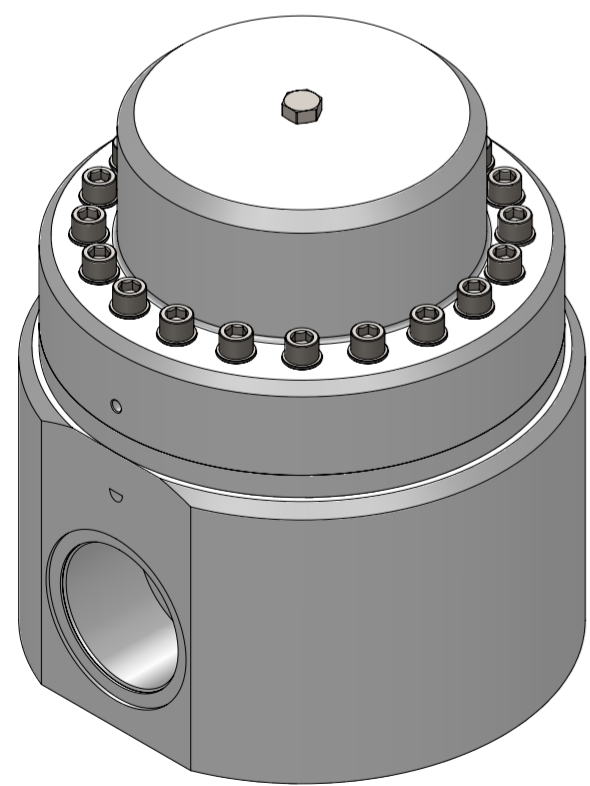
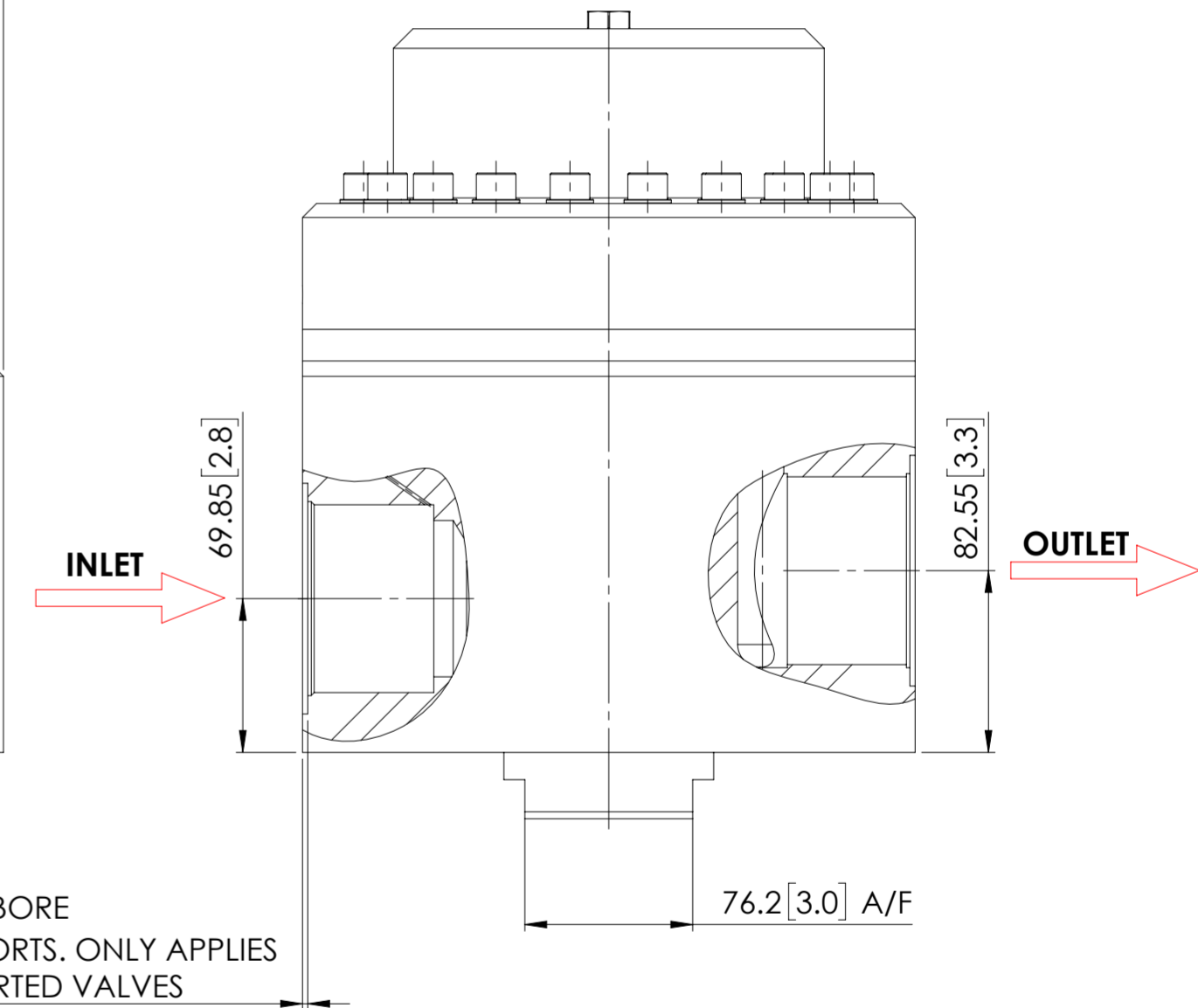
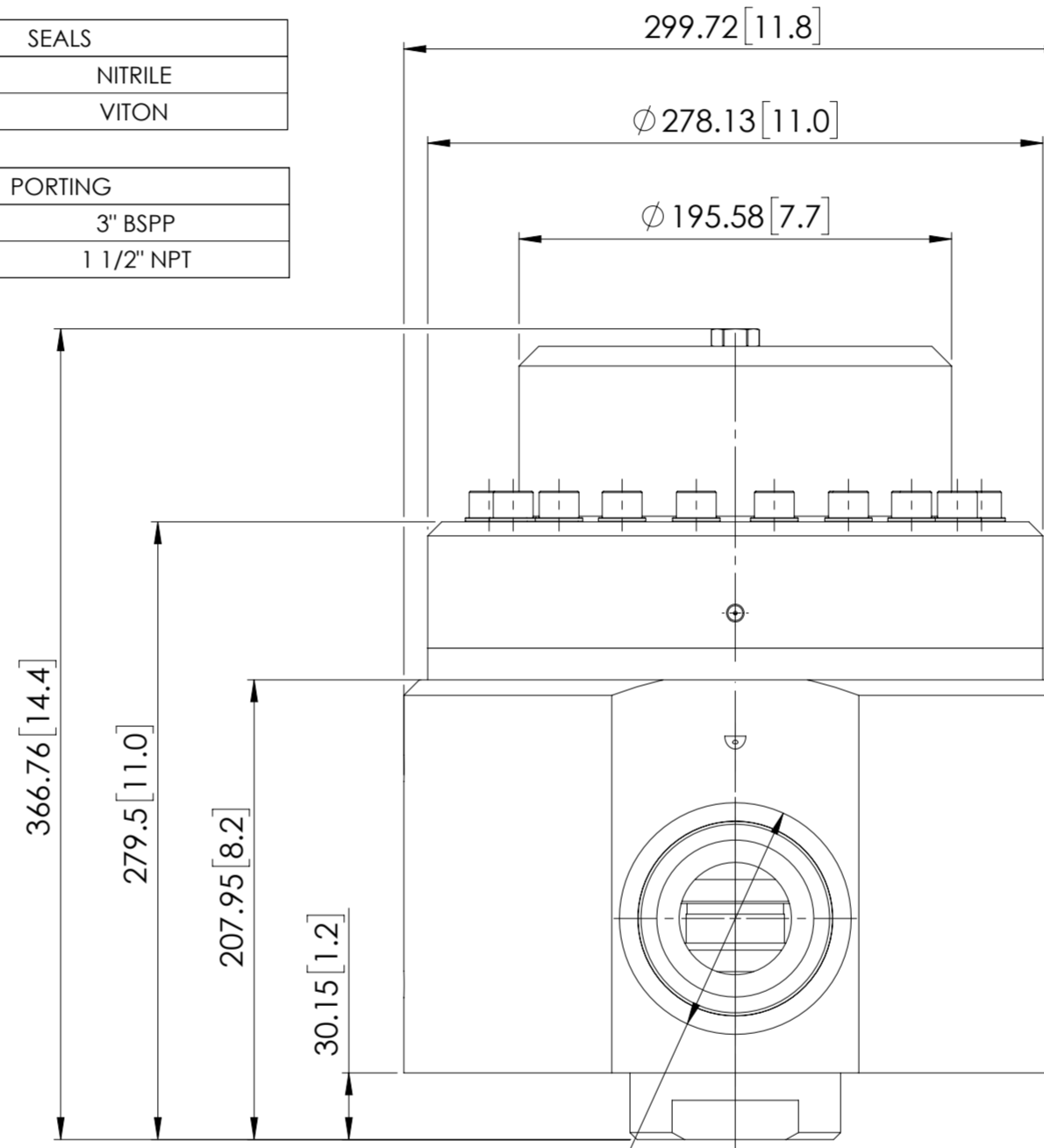
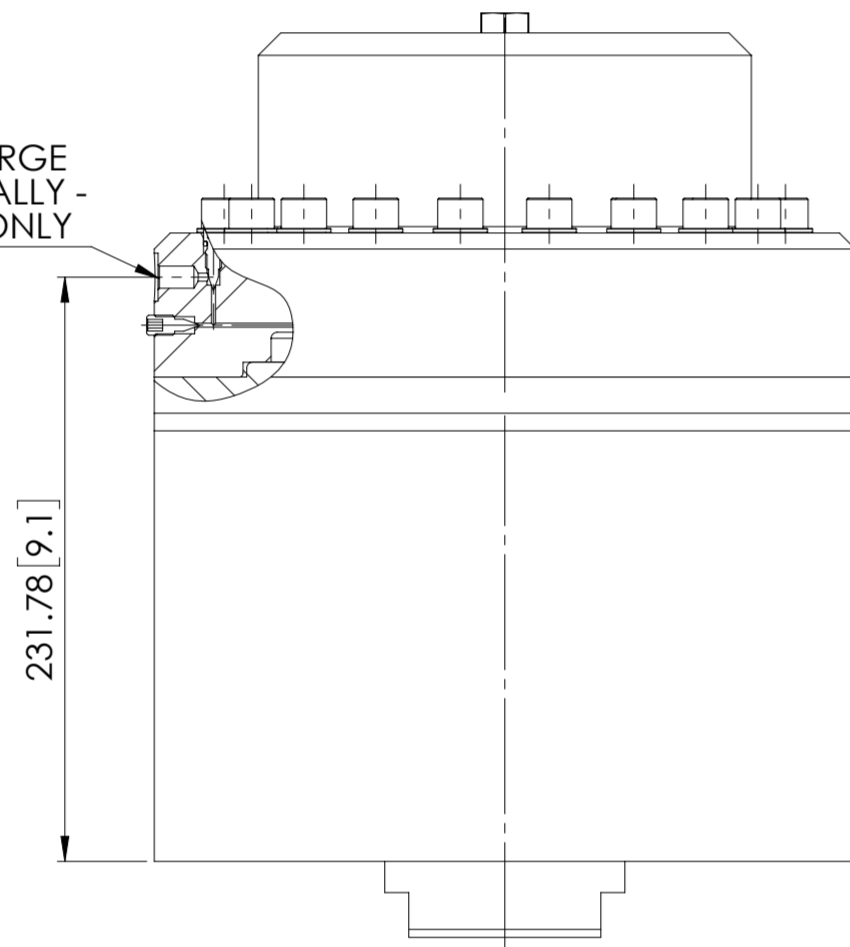
| PORTING | |
|---------|------------|
| 300P | 3" BSPP |
| 150N | 1 1/2" NPT |

SPECIFICATION

- ORIFICE: 50.8mm
- MEDIUM: A130 - GAS ONLY
- MEDIUM: A131 - GAS AND LIQUID
- CAPACITY VALUE: 30
- DRY WEIGHT: 29 kg (64.0 lb)
(ALUMINIUM ALLOY)
- OUTLET RISE / UNIT INLET FALL: 0.026



PORTS TO CHARGE
DOME EXTERNALLY -
A131 VALVES ONLY



Ø 104.78 [4.1] C/BORE
TYP BOTH PORTS. ONLY APPLIES
TO BSPP PORTED VALVES

2.39 [2.4] C/BORE
TYP BOTH PORTS. ONLY APPLIES
TO BSPP PORTED VALVES

4 OFF MOUNTING HOLES
M12 x 24mm DEEP



| | | | | | | | | | | |
|--|----------|-------|--------|--|--------------|----|---------------|-----|----------------|--------|
| © AND DESIGN RIGHT BIS WELLS LTD. ALL RIGHTS RESERVED. WITHOUT THE PRIOR WRITTEN PERMISSION OF BIS WELLS LTD NO PART OF THIS DOCUMENT MAY BE ALTERED, ADAPTED, PUBLISHED, REPRODUCED OR TRANSMITTED IN ANY FORM OR MEDIUM. | | | | UNLESS OTHERWISE SPECIFIED DIMENSIONS ARE IN INCHES 1. LINEAR TOLERANCES : ±0.1" 2. ANGULAR TOLERANCES : ±2° | | | | | | |
| DRAWN | N.DANIEL | SHEET | 1 OF 1 | 3RD ANGLE PROJECTION | DRAWING SIZE | A2 | DRAWING SCALE | 1:3 | DRAWING NUMBER | DS0022 |
| DATE | 03/12/19 | ISSUE | 1 | | | | | | | |