

# DATASHEET

## 'T' FILTER: F24

MODEL CODE					
F24 -	1	10M	SS	75P	N

MODEL TYPE	
F24 -	'T' STYLE FILTER

MAXIMUM WORKING PRESSURE	
1	6,000 Psi (414 Bar)
2	6,500 Psi (450 Bar)

FILTRATION	
5M	5 MICRON
10M	10 MICRON
25M	25 MICRON
37M	37 MICRON

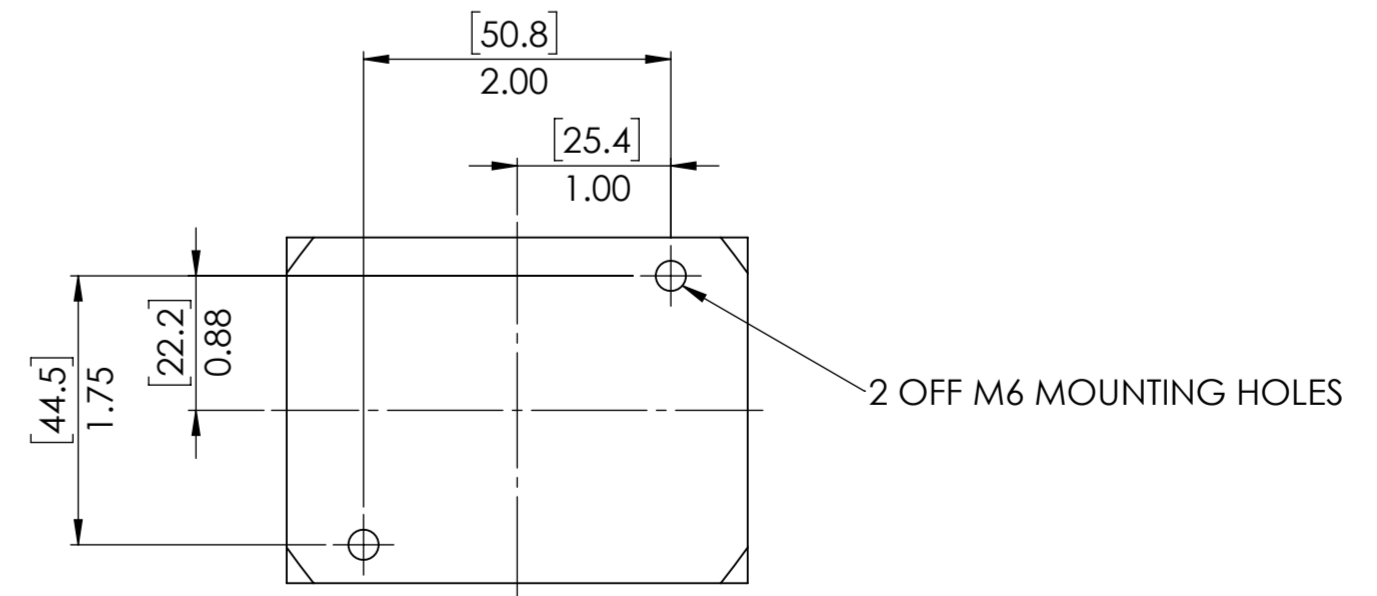
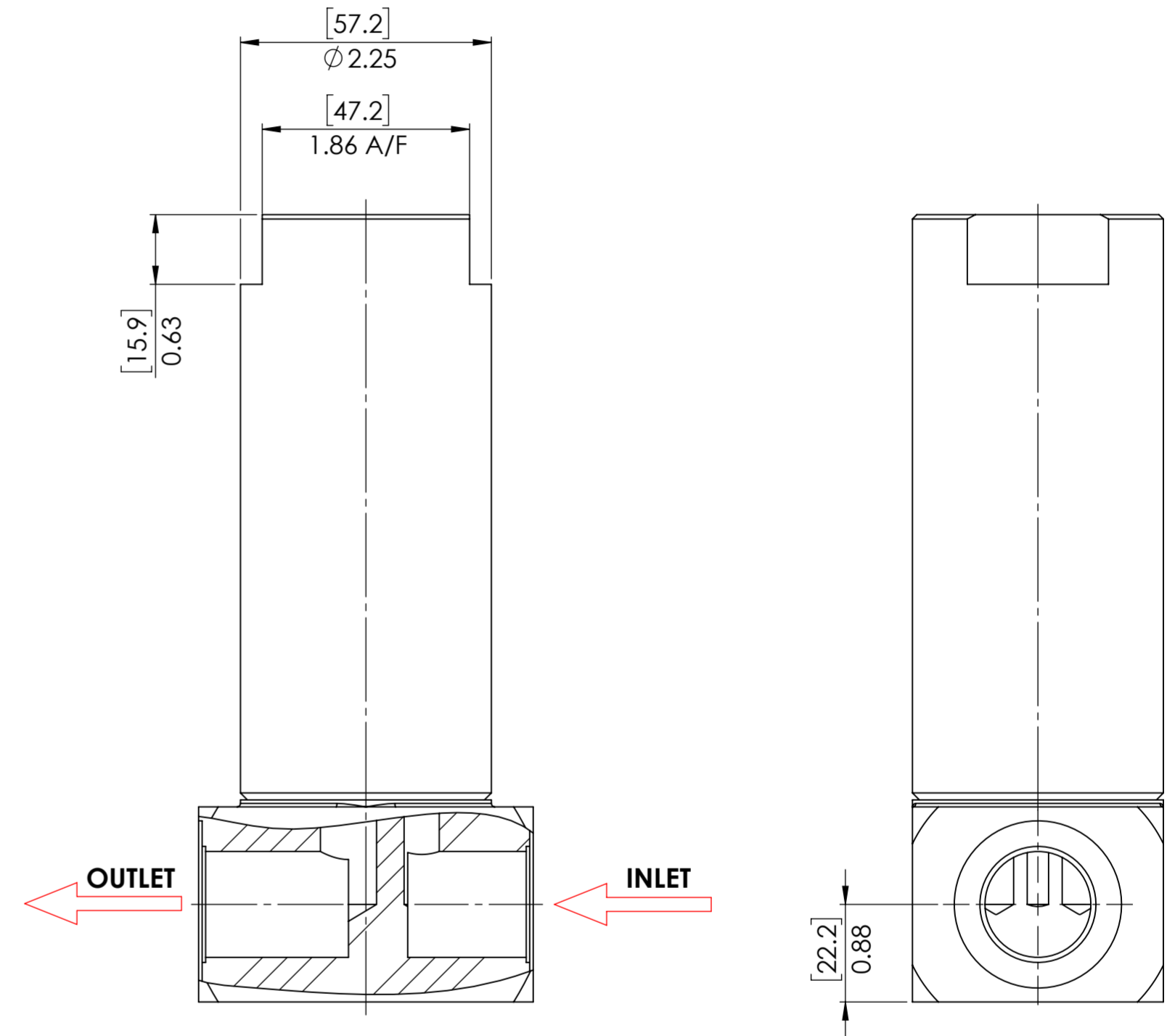
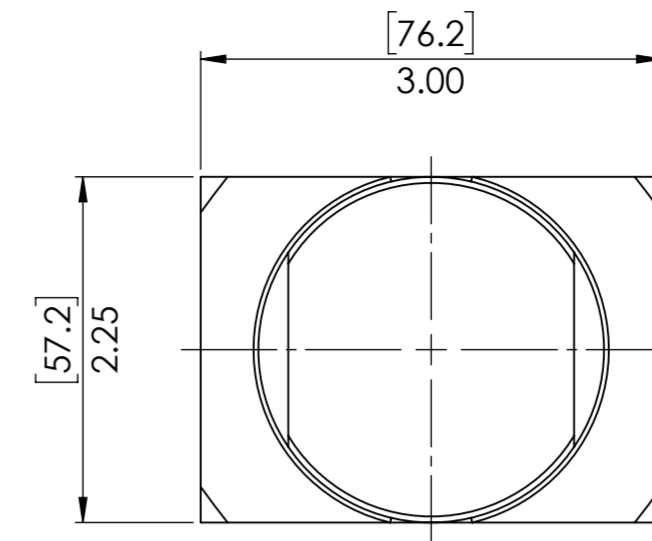
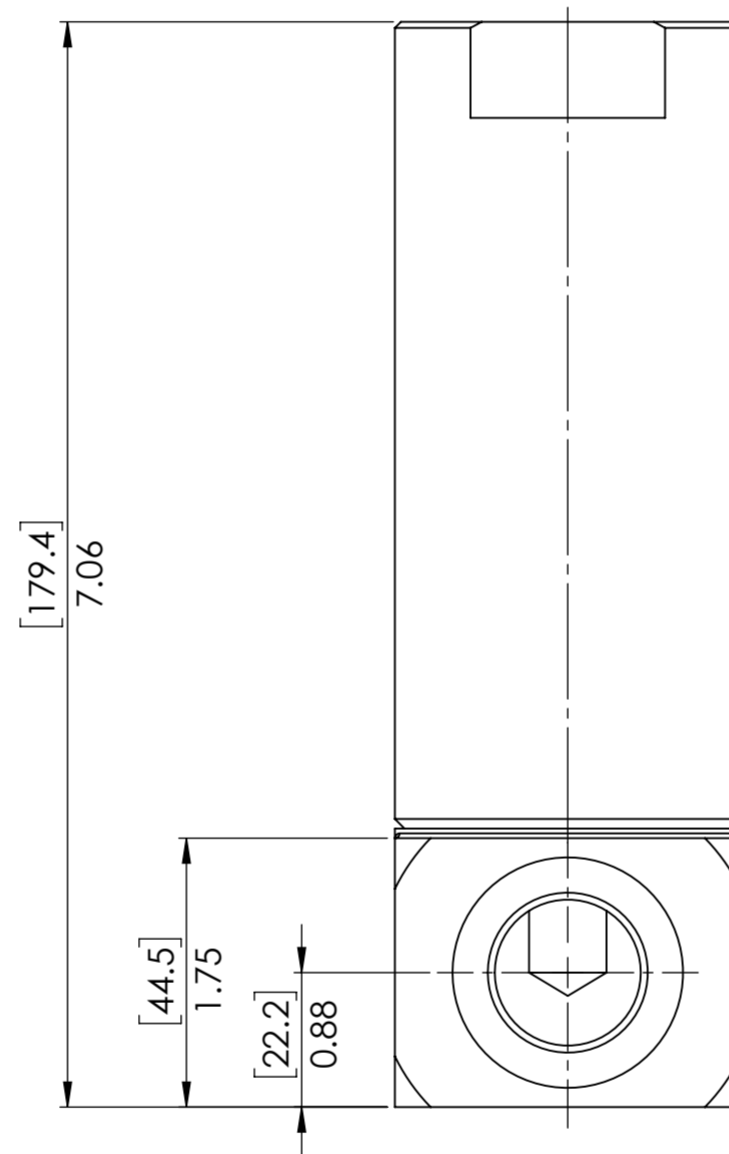
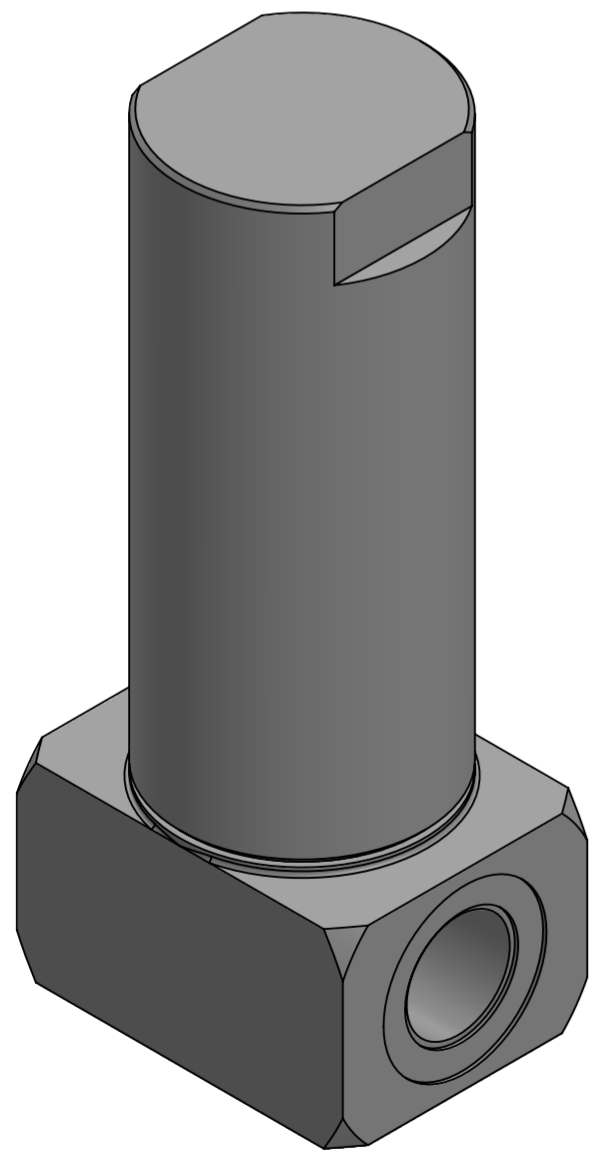
SEAL MATERIAL	
N	NITRILE
V	VITON

PORTS	
75P	3/4 BSPP
75N	3/4 NPT

MATERIAL	
A	ALUMINIUM
AB	ALUMINIUM BRONZE
BR	BRASS
SS	STAINLESS STEEL

### SPECIFICATION

- MEDIUM: GAS AND LIQUIDS
- DRY WEIGHT: 3.5 kg (7.71 lb) (STAINLESS STEEL)



© AND DESIGN RIGHT BIS Wells LTD. ALL RIGHTS RESERVED. WITHOUT THE PRIOR WRITTEN PERMISSION OF BIS Wells Ltd NO PART OF THIS DOCUMENT MAY BE ALTERED, ADAPTED, PUBLISHED, REPRODUCED OR TRANSMITTED IN ANY FORM OR MEDIUM.						UNLESS OTHERWISE SPECIFIED DIMENSIONS ARE IN INCHES 1. LINEAR TOLERANCES : ±0.1" 2. ANGULAR TOLERANCES : ± 2°			
DRAWN	J.PHELAN	SHEET	1 OF 1	DRAWING SIZE	A2	DRAWING SCALE	1:1	DRAWING NUMBER	DS0024
DATE	10/12/19	ISSUE	1	3RD ANGLE PROJECTION					