

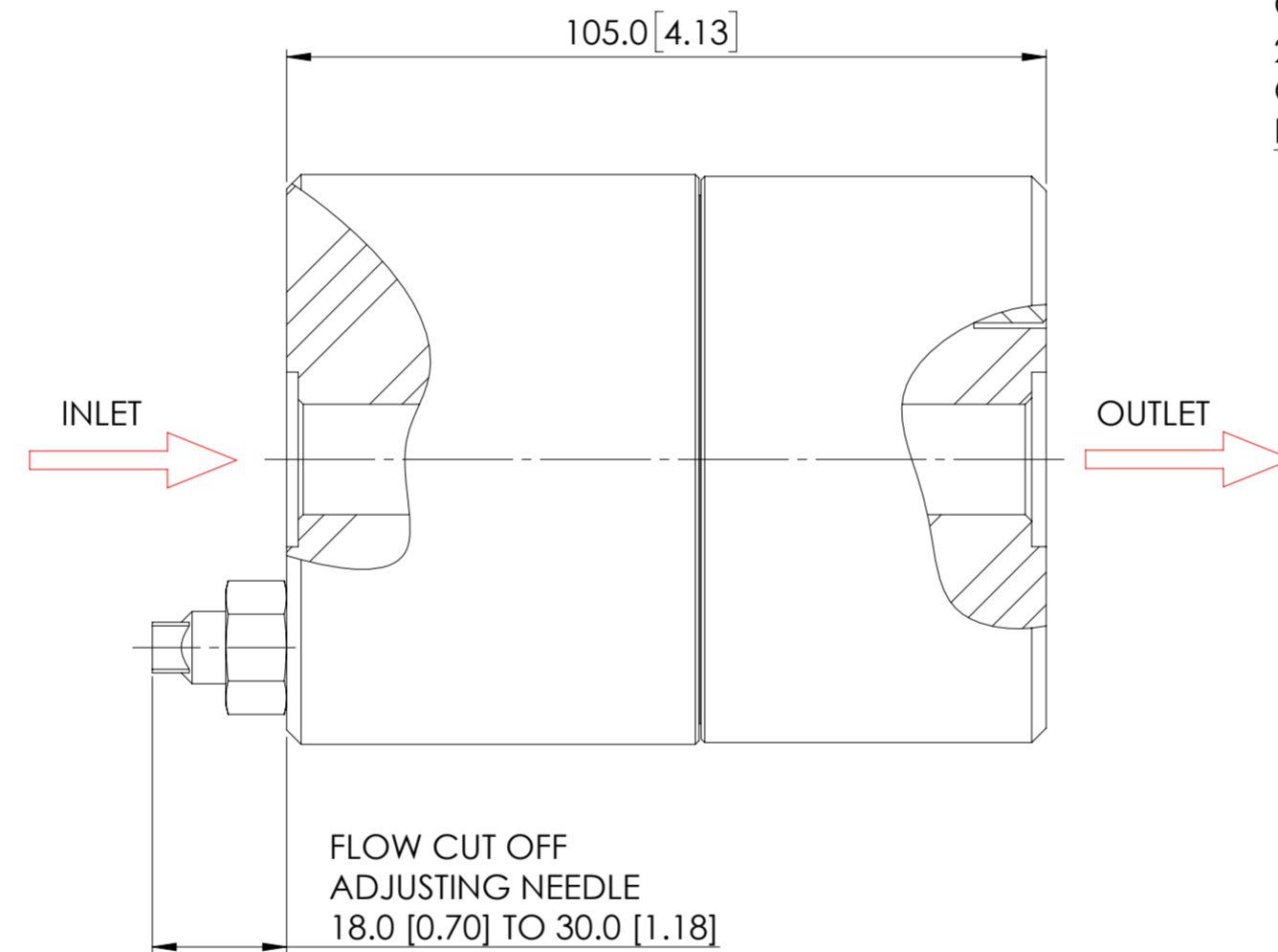
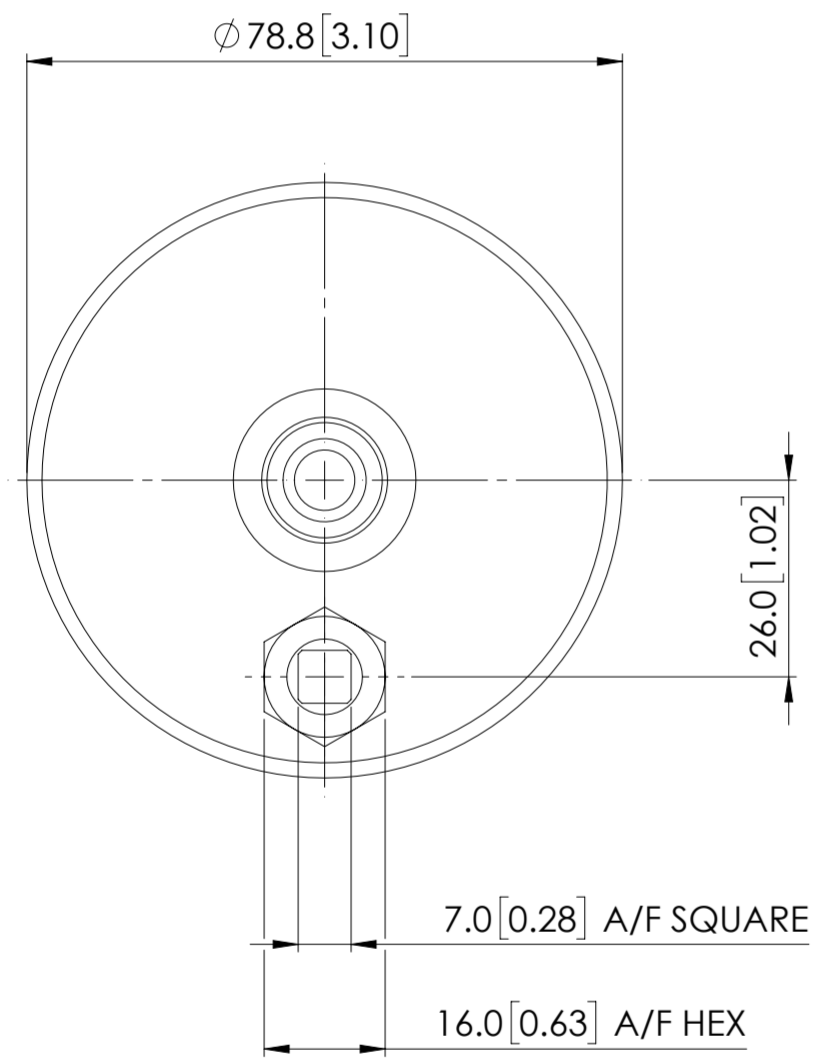
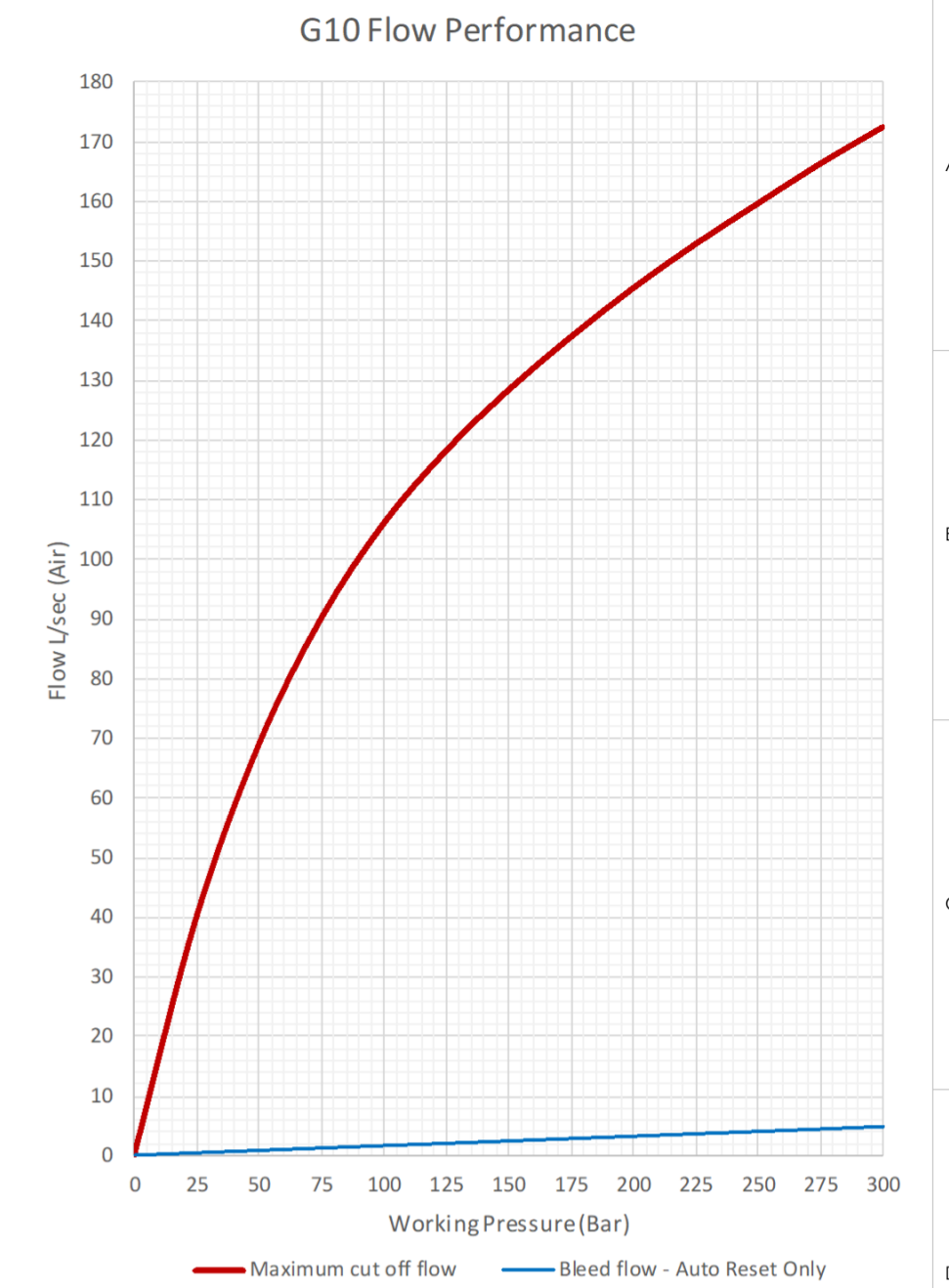
# DATASHEET

## BURST PROTECTION VALVES: G10

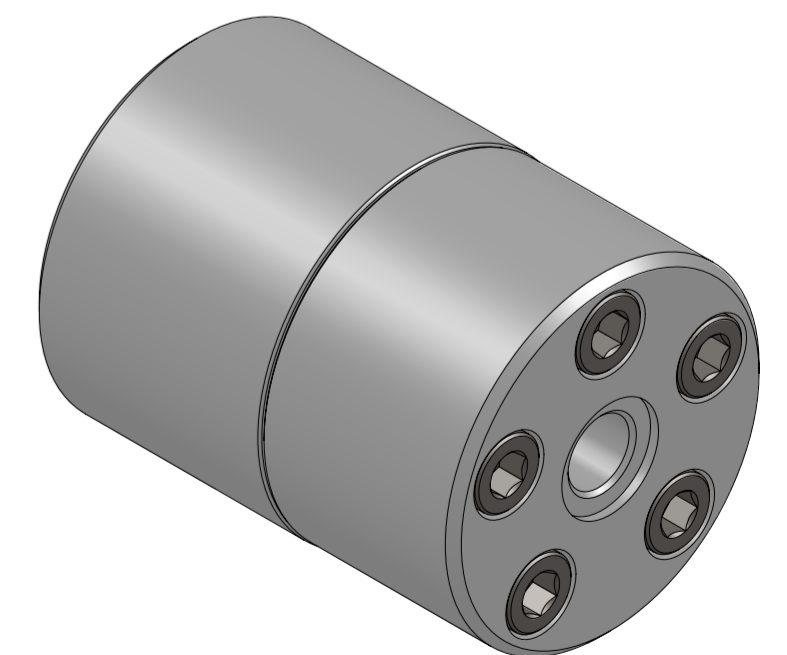
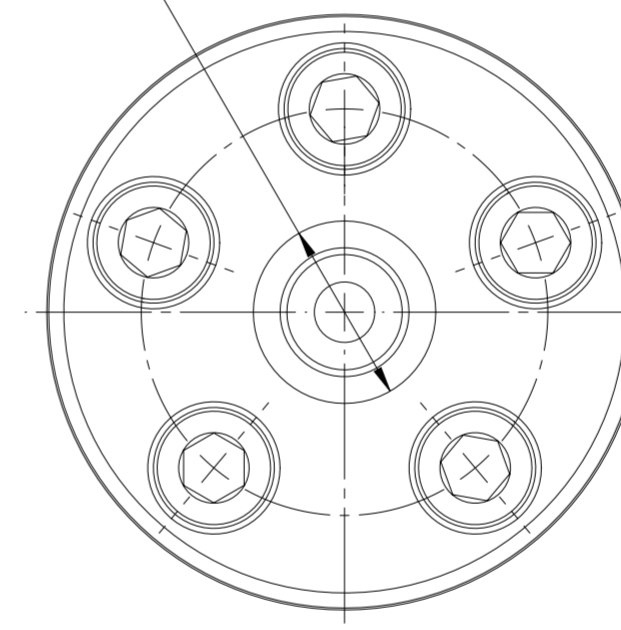
MODEL TYPE		MODEL CODE						SEALS	
G10 -	G10 (BURST PROTECTION VALVE)	G10 -	1	1	AA	37P	N	N	NITRILE
MAXIMUM INLET PRESSURE		PORTING		MATERIAL		SEALS			
1	310 Bar (4,500 Psi)	37P	3/8" BSPP	AA	ALUMINIUM ALLOY	N	NITRILE		
RESET		37N	3/8" NPT	SS	STAINLESS STEEL	V	VITON		
1	AUTOMATIC RESET			AB	ALUMINIUM BRONZE				
2	MANUAL RESET			BR	BRASS				

### SPECIFICATION

- FLOW AREA: 44.0mm<sup>2</sup>
- MEDIUM: GAS AND LIQUID
- MANUAL AND AUTOMATIC RESET OPTIONS
- SHUT OFF AT APPROXIMATELY 1 BAR DIFFERENTIAL PRESSURE
- DRY WEIGHT: 1.1 kg (2.4 lb) (ALUMINIUM ALLOY)



C/BORE  $\phi 24.13 [0.9]$   
 2.0 [0.08] DEEP.  
 ONLY APPLIES TO  
 BSPP PORTED VALVES



© AND DESIGN RIGHT Bis Wells LTD. ALL RIGHTS RESERVED. WITHOUT THE PRIOR WRITTEN PERMISSION OF Bis Wells Ltd NO PART OF THIS DOCUMENT MAY BE ALTERED, ADAPTED, PUBLISHED, REPRODUCED OR TRANSMITTED IN ANY FORM OR MEDIUM.				UNLESS OTHERWISE SPECIFIED DIMENSIONS ARE IN INCHES 1. LINEAR TOLERANCES : $\pm 0.1"$ 2. ANGULAR TOLERANCES : $\pm 2^\circ$			
DRAWN	J.PHELAN	SHEET	1 OF 1	DRAWING SIZE	A2	DRAWING SCALE	1:2
DATE	19/12/19	ISSUE	1	3RD ANGLE PROJECTION			DRAWING NUMBER
							DS0028