

DATASHEET

PNEUMATIC AND HYDRAULIC REGULATORS: A SERIES

MODEL CODE											
A	10	-	A	N	P	25N	0	0	0	V	0

MODEL TYPE	
A	PNEUMATIC REGULATOR
A5	HYDRAULIC REGULATOR

REGULATED PRESSURE	
9	0 ~ 300 Psi
10	0 ~ 1,000 Psi
11	0 ~ 4,000 Psi
12	0 ~ 6,000 Psi

MATERIAL	
A	ALUMINIUM
AB	ALUMINIUM BRONZE
BR	BRASS
SS	STAINLESS STEEL

SEAL MATERIAL	
N	NITRILE
V	VITON

SEAT MATERIAL	
P	POLYMER
S	STAINLESS

PORTS	
25N	1/4" NPT
25P	1/4" BSP
37N	3/8" NPT
37P	3/8" BSP
50N	1/2" NPT
50P	1/2" BSP

HANDWHEEL	
0	STANDARD HANDWHEEL
L	LOCKING

VENTING	
V	VENTING
NV	NON VENTING

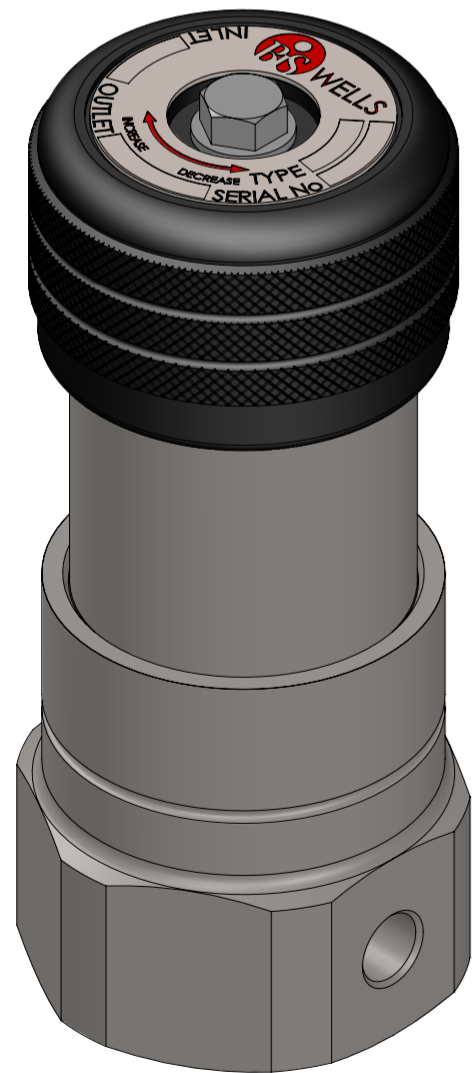
MOUNTING	
0	NO MOUNTING
PM	PANEL MOUNTING

OUTLET GAUGE PORT	
0	NO PORT
3	1/4" NPT
4	1/4" NPT
6	1/4" BSP

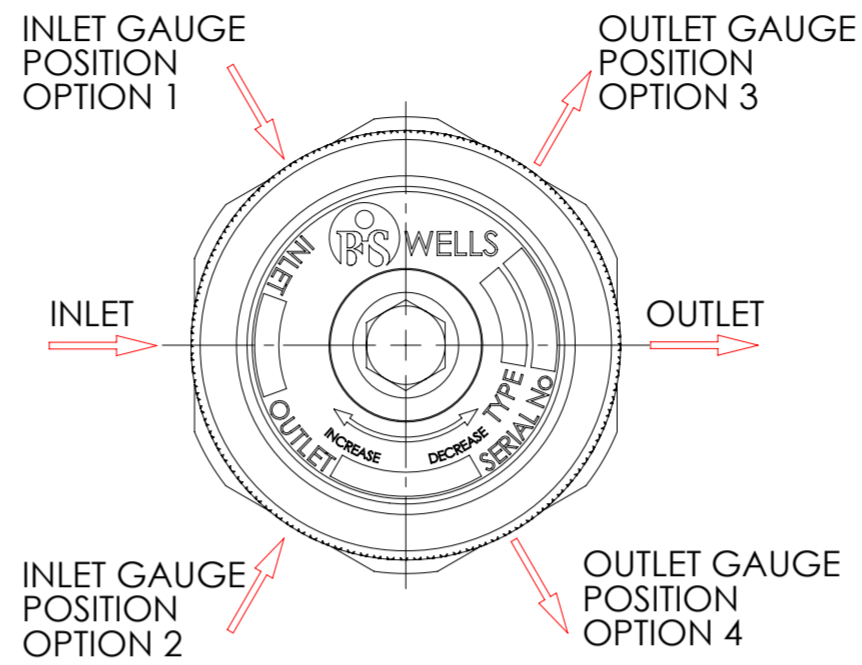
INLET GAUGE PORT	
0	NO PORT
1	1/4" NPT
2	1/4" NPT
5	1/4" BSP

FOR OXYGEN SERVICE SPECIFY: A9OX, A10OX, A11OX OR A12OX

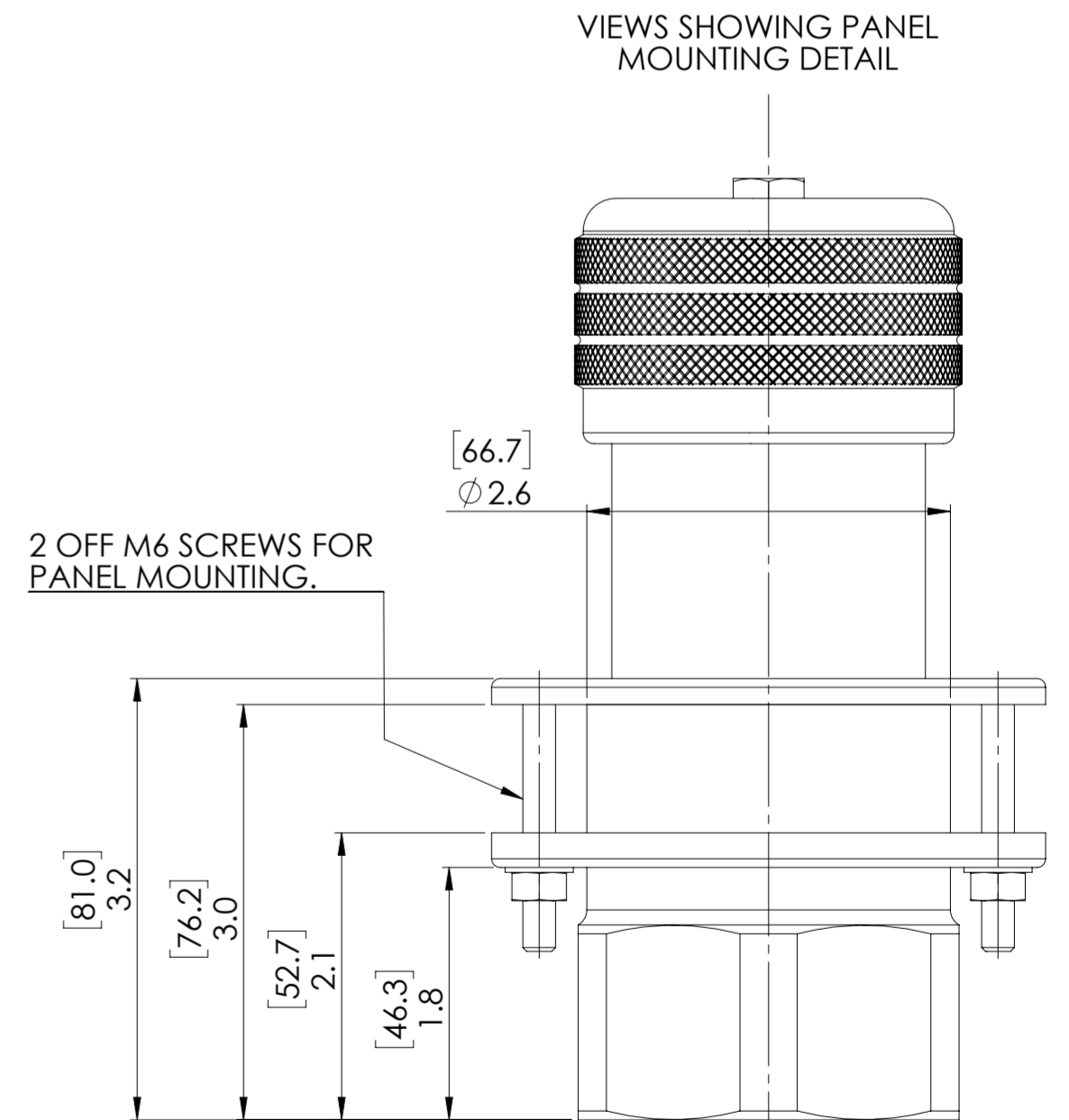
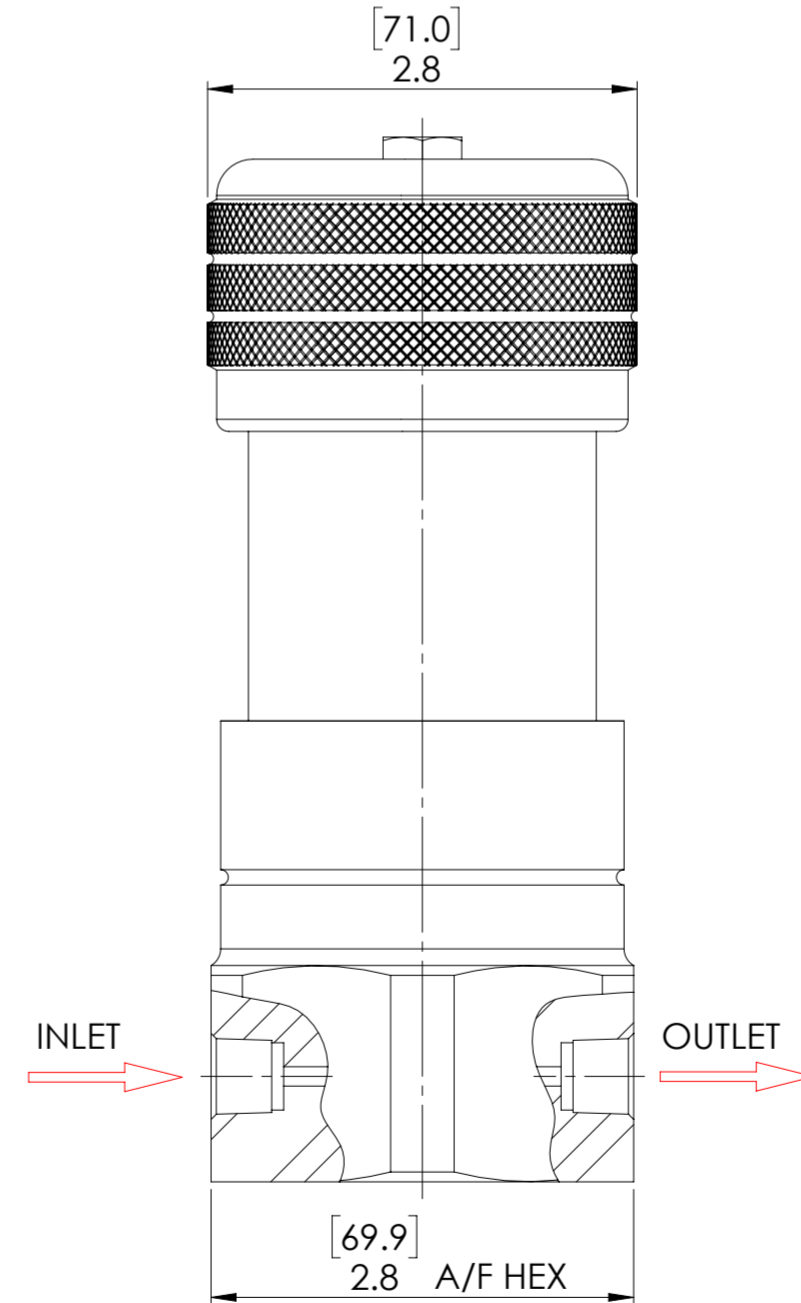
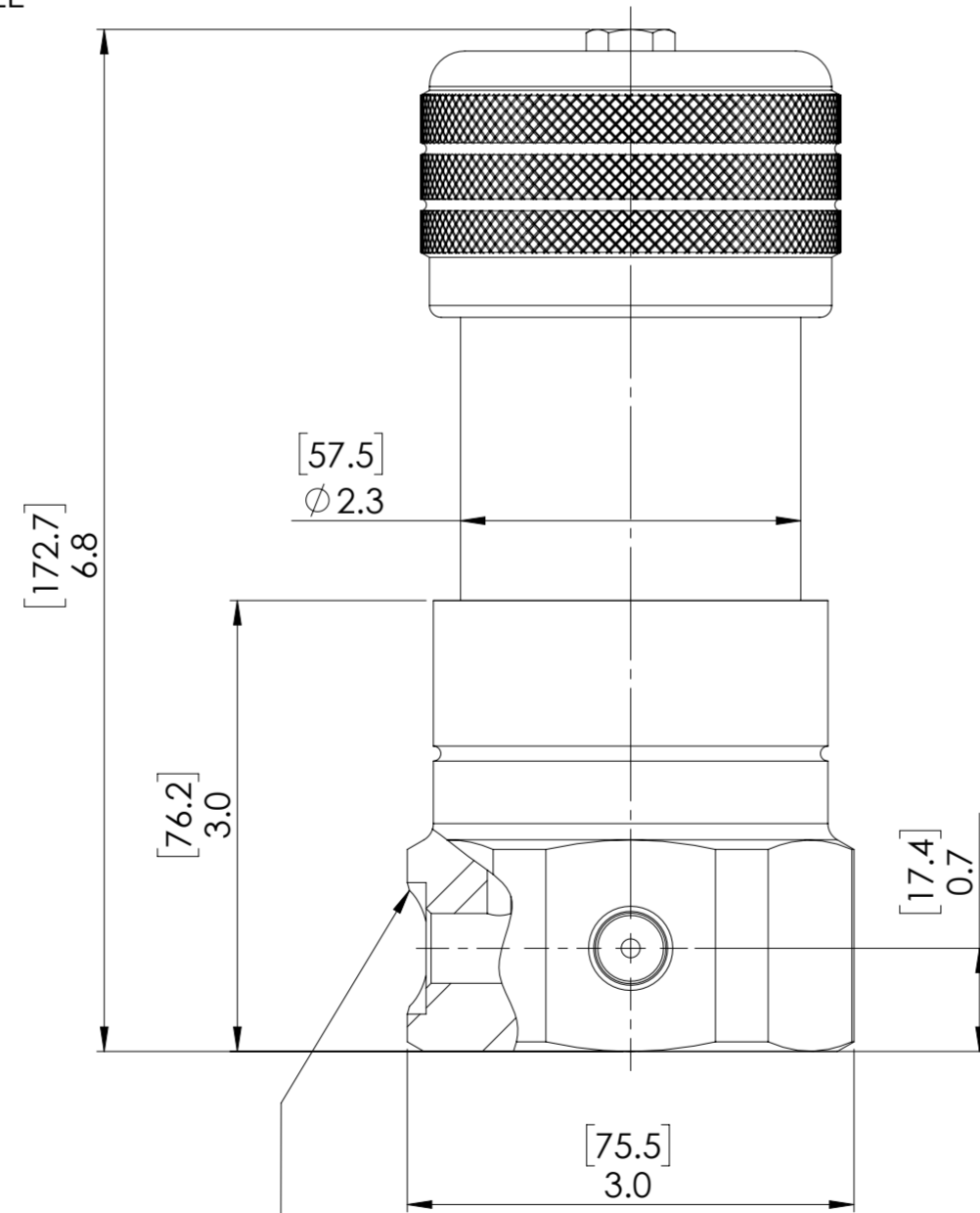
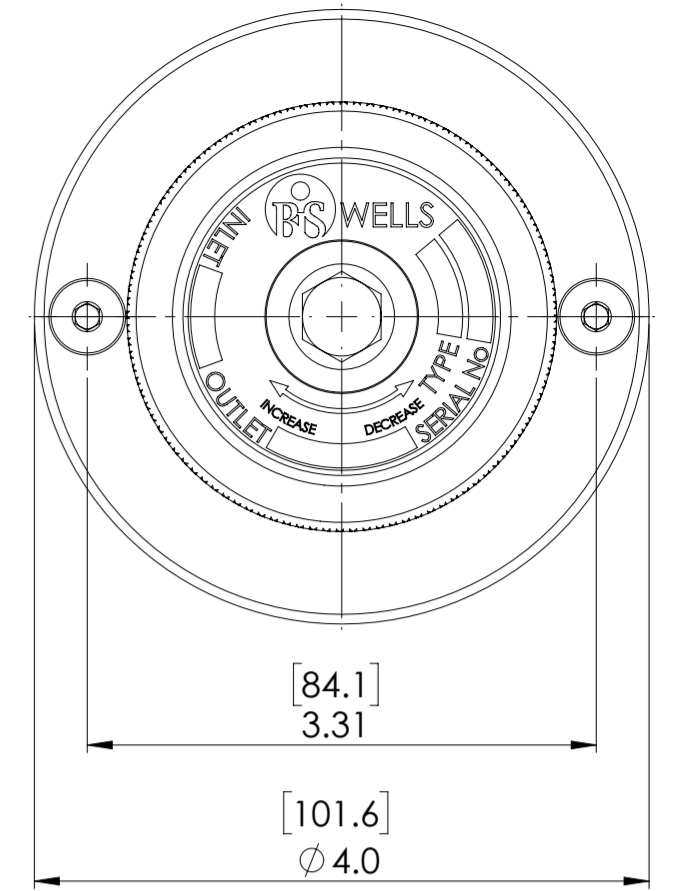
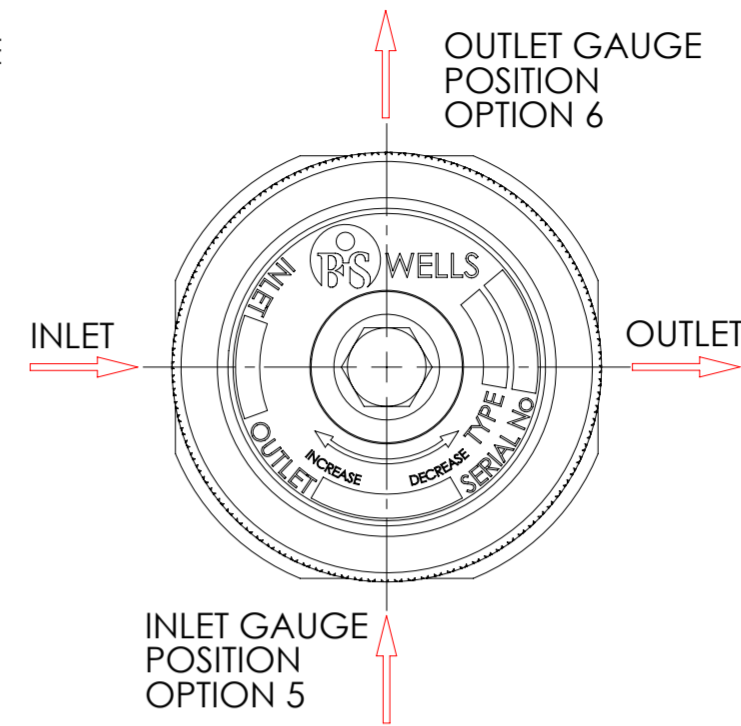
- INLET PRESSURE: 6,000 Psi
- WEIGHT: 1.9 Kg (ALUMINIUM VERSION)
- ORIFICE: 3.2mm
- Cv: 0.09
- LOCKING OPTION AVAILABLE
- OXYGEN SERVICE OPTION



HEXAGON BODY: VIEW SHOWING OPTIONAL INLET AND OUTLET GAUGE PORT LOCATIONS.



SQUARE BODY: VIEW SHOWING OPTIONAL INLET AND OUTLET GAUGE PORT LOCATIONS.



OPTIONAL VENT PORT ONLY FEATURED ON VENTING REGULATORS, WHERE HAZARDOUS GASSES ARE PROCESSED. 1/4" BSPP AS STANDARD.



© AND DESIGN RIGHT Bis Wells LTD. ALL RIGHTS RESERVED. WITHOUT THE PRIOR WRITTEN PERMISSION OF Bis Wells Ltd NO PART OF THIS DOCUMENT MAY BE ALTERED, ADAPTED, PUBLISHED, REPRODUCED OR TRANSMITTED IN ANY FORM OR MEDIUM.				UNLESS OTHERWISE SPECIFIED DIMENSIONS ARE IN INCHES 1. LINEAR TOLERANCES : ±0.1" 2. ANGULAR TOLERANCES : ±2°			
DRAWN	J.PHELAN	SHEET	1 OF 1	DRAWING SIZE	A2	DRAWING SCALE	1:2
DATE	29/04/19	ISSUE	5	3RD ANGLE PROJECTION			
DRAWING NUMBER							DS0002