

DATASHEET

BACK PRESSURE MAINTAINING VALVES (BPMV): H10

MODEL CODE						
H10	1	1	SS	37P	N	PE

MODEL TYPE	
H10	BACK PRESSURE MAINTAINING VALVE

INLET PRESSURE	
1	8,000 Psi (550 Bar)

SET PRESSURE RANGE	
1	500 ~ 2,000 Psi (34 ~ 140 Bar)
2	2,000 ~ 8,000 Psi (140 ~ 550 Bar)

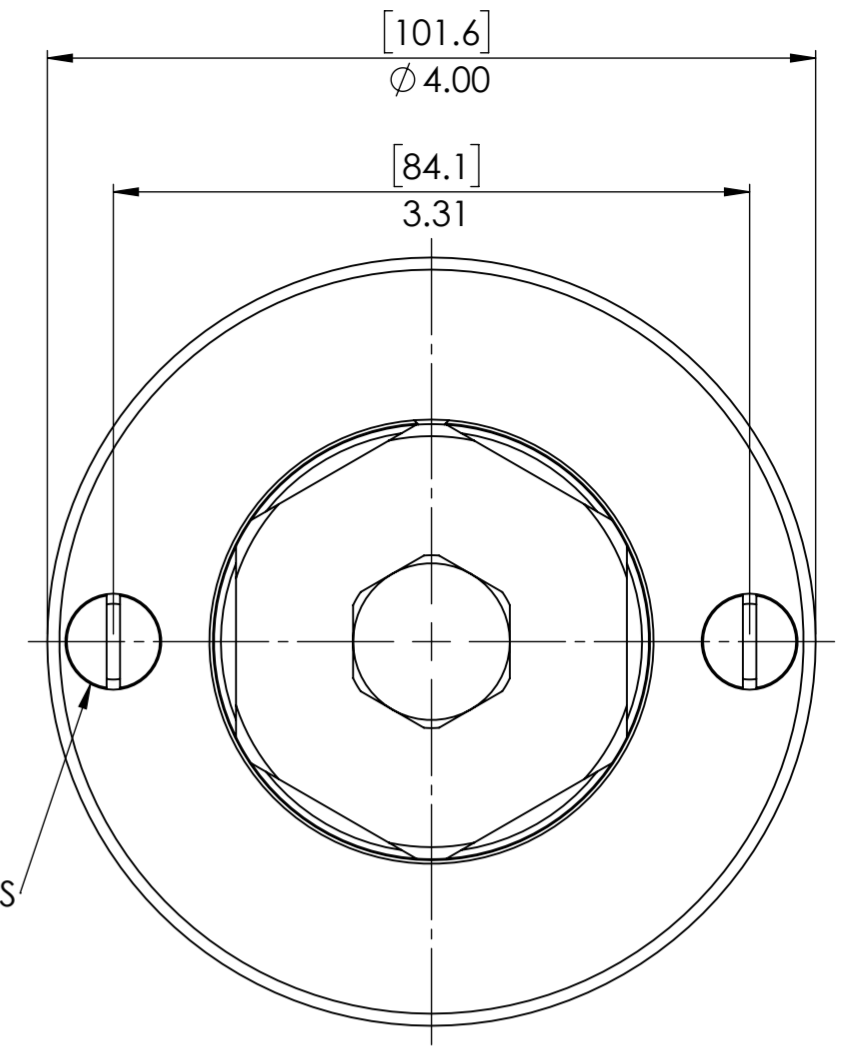
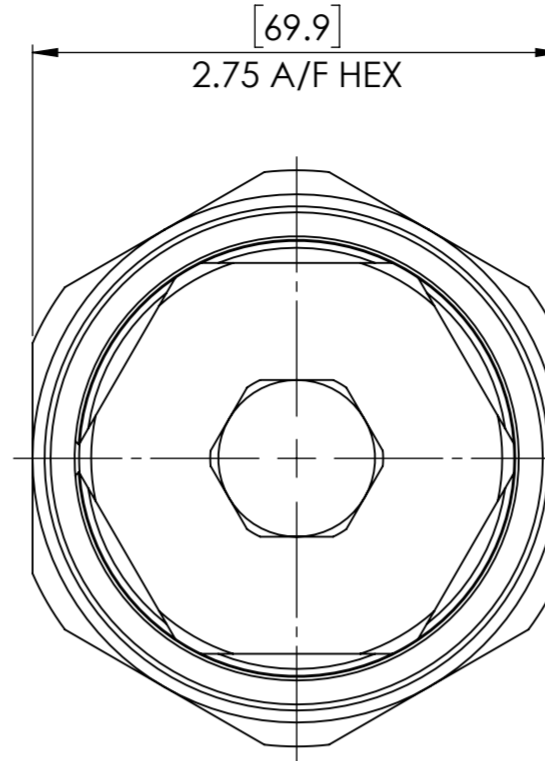
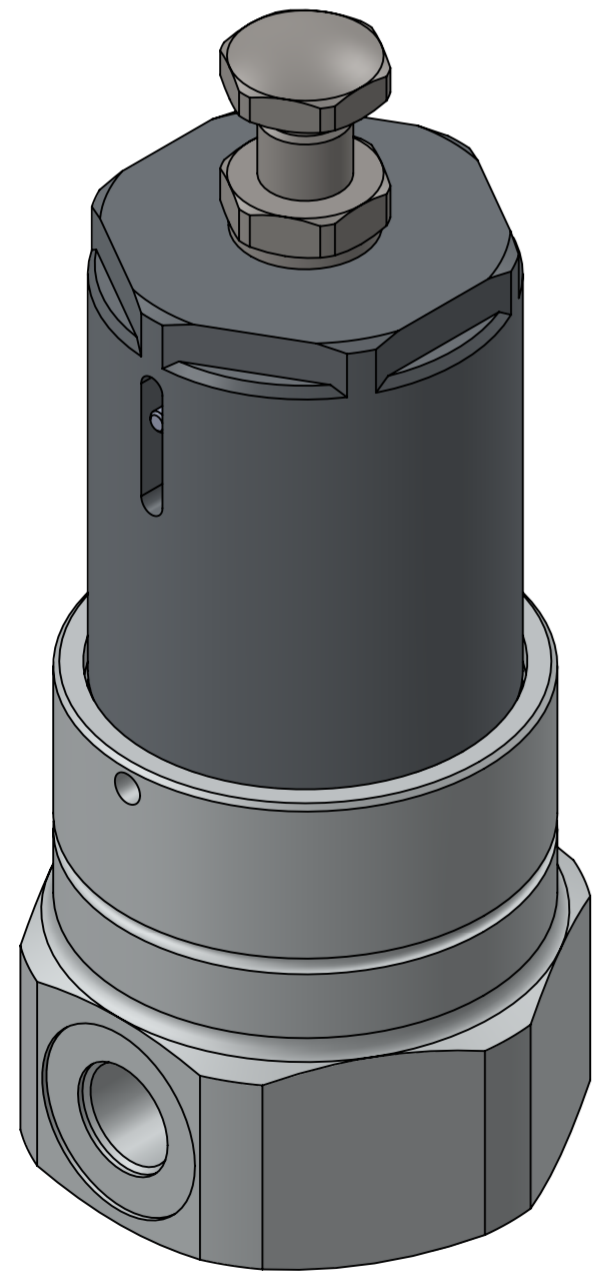
MATERIAL	
A	ALUMINIUM
AB	ALUMINIUM BRONZE
BR	BRASS
SS	STAINLESS STEEL

SEAT MATERIAL	
PE	PEEK
AL	ALLOY
SS	STAINLESS STEEL

SEAL MATERIAL	
N	NITRILE
V	VITON

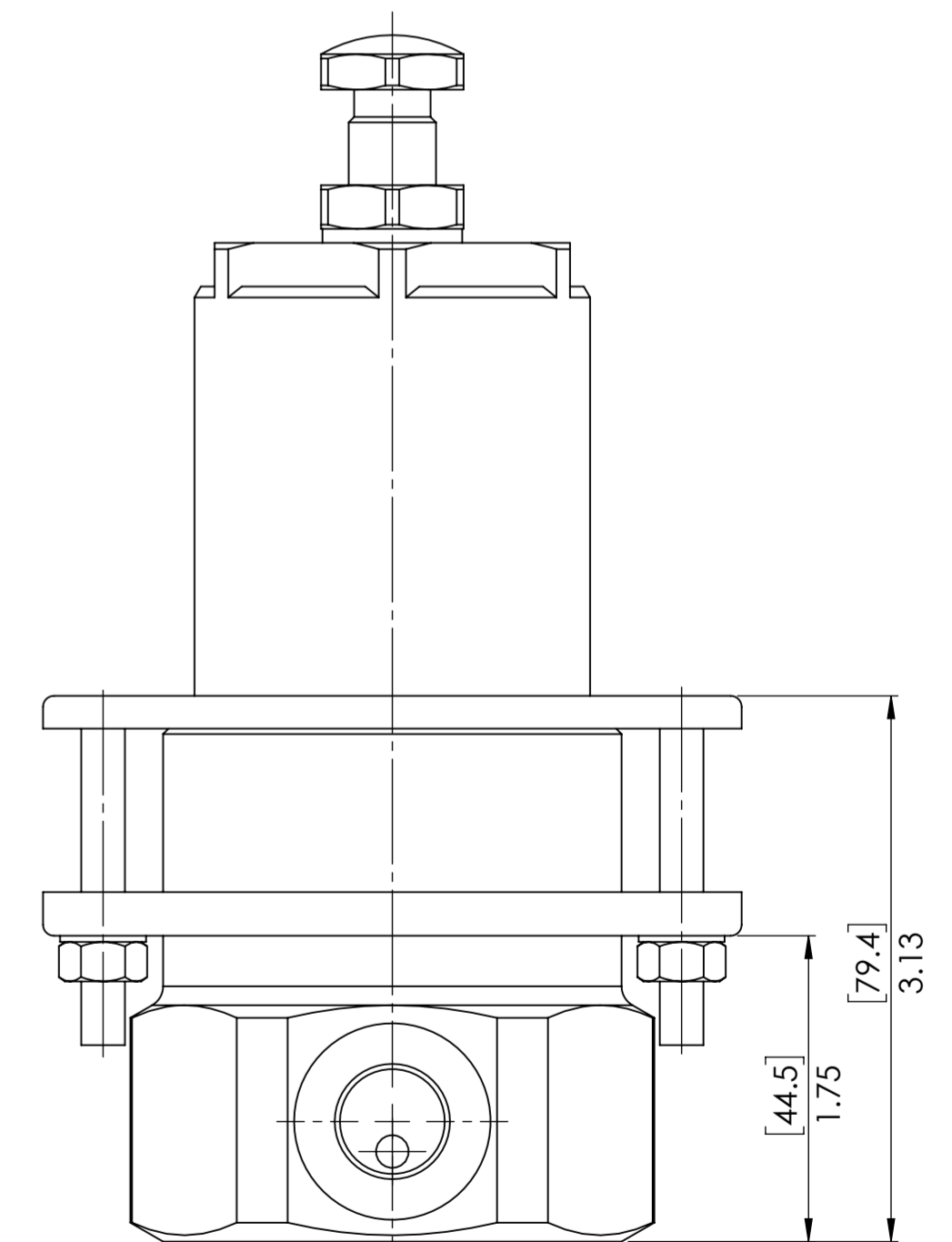
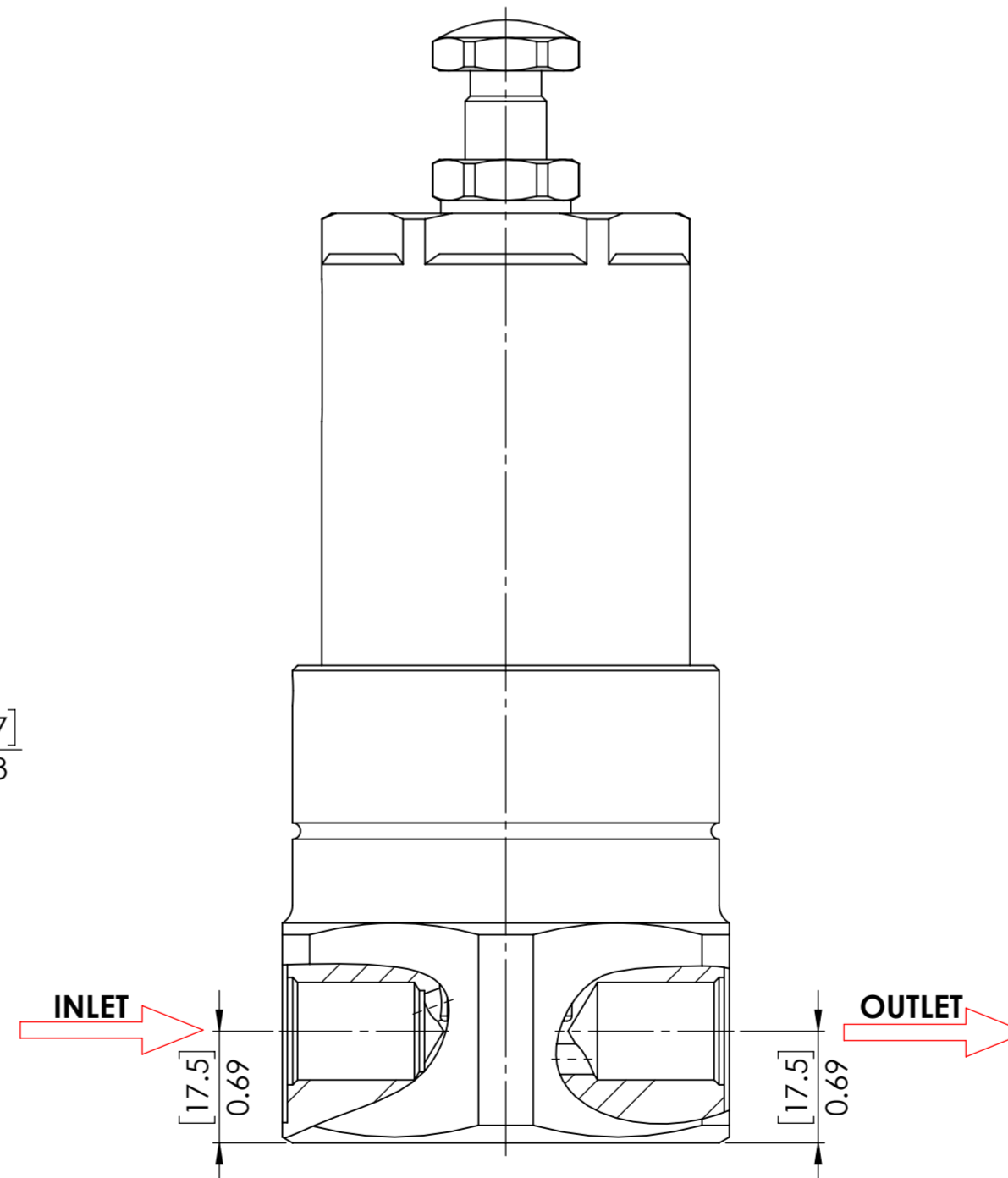
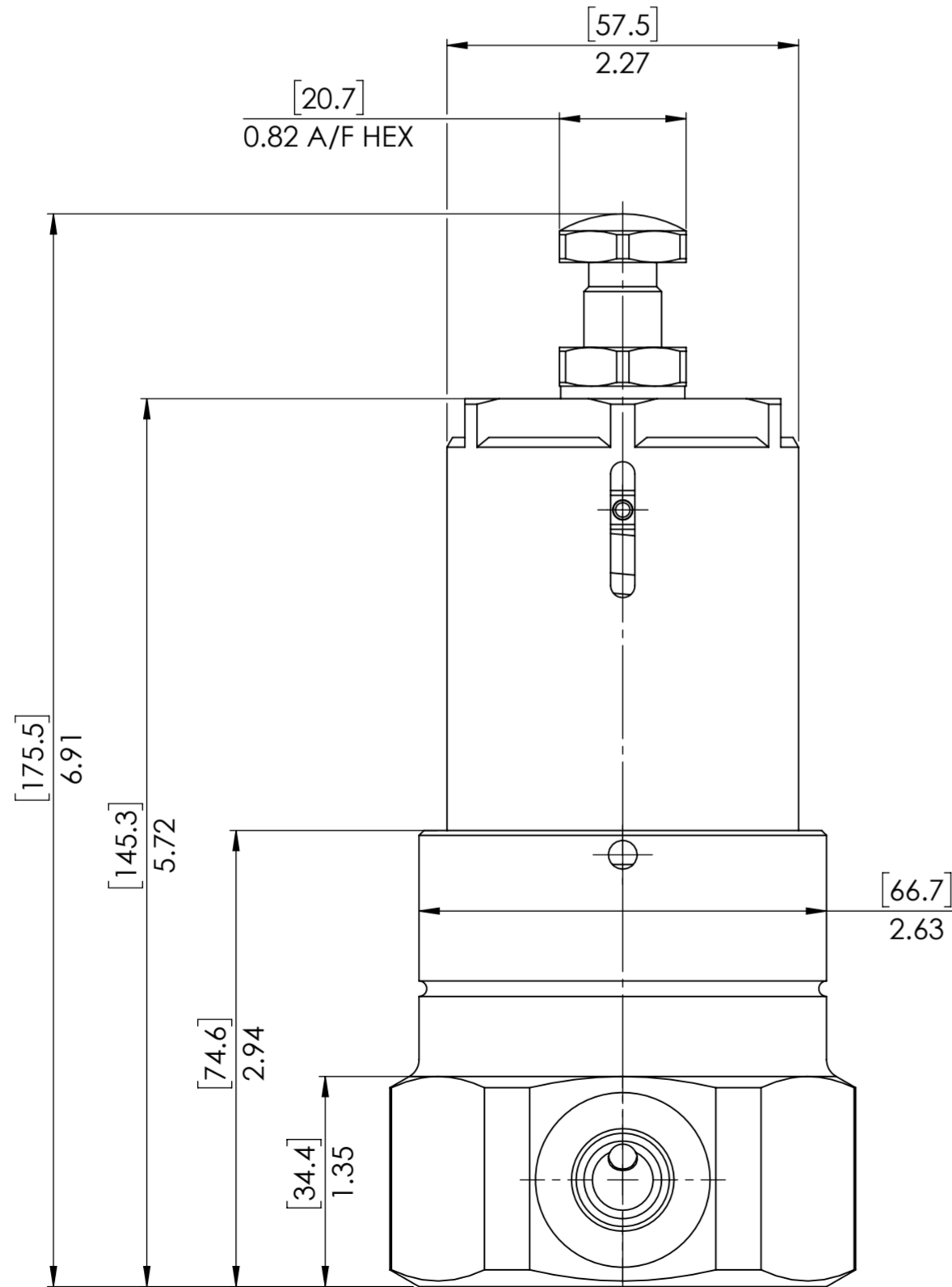
PORTS	
25P	1/4 BSPP
25N	1/4 NPT
37P	3/8 BSPP
37N	3/8 NPT

- SPECIFICATION**
- ORIFICE: 3.2mm (0.13")
 - MEDIUM: GAS AND LIQUID
 - DRY WEIGHT: 1.50 kg (3.30 lb)
(ALUMINIUM ALLOY)



2 OFF M6 CSK SCREWS

PANEL MOUNTING OPTION AVAILABLE



© AND DESIGN RIGHT BIS WELLS LTD. ALL RIGHTS RESERVED. WITHOUT THE PRIOR WRITTEN PERMISSION OF BIS WELLS LTD NO PART OF THIS DOCUMENT MAY BE ALTERED, ADAPTED, PUBLISHED, REPRODUCED OR TRANSMITTED IN ANY FORM OR MEDIUM.				UNLESS OTHERWISE SPECIFIED DIMENSIONS ARE IN INCHES 1. LINEAR TOLERANCES : ±0.1" 2. ANGULAR TOLERANCES : ±2°			
DRAWN	N.DANIEL	SHEET	1 OF 1	DRAWING SIZE	A2	DRAWING SCALE	1:1
DATE	18/11/19	ISSUE	1	3RD ANGLE PROJECTION		DRAWING NUMBER	DS0019