

DATASHEET

PRESSURE REGULATOR: A200 AND A201

MODEL CODE							
A200 -	1	1	AA	37P	N	NY	0

MODEL TYPE	
A200 -	DOME LOADED INTERNALLY
A201 -	DOME LOADED EXTERNALLY

MAXIMUM INLET PRESSURE	
1	6,000 Psi (415 Bar)

SET PRESSURE RANGE	
1	30~ 3,500 Psi (2 ~ 240 Bar)

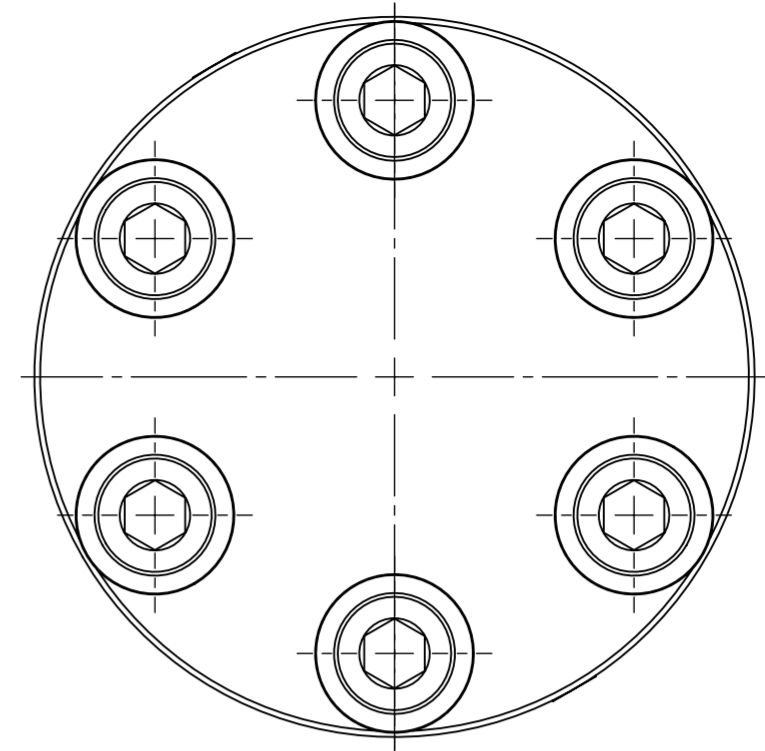
MATERIAL	
AA	ALUMINIUM ALLOY
SS	STAINLESS STEEL
AB	ALUMINIUM BRONZE
BR	BRASS

GAUGE PORT	
0	NO PORT
GI	1/4" BSPP INLET
GO	1/4" BSPP OUTLET
GB	1/4" BSPP INLET & OUTLET

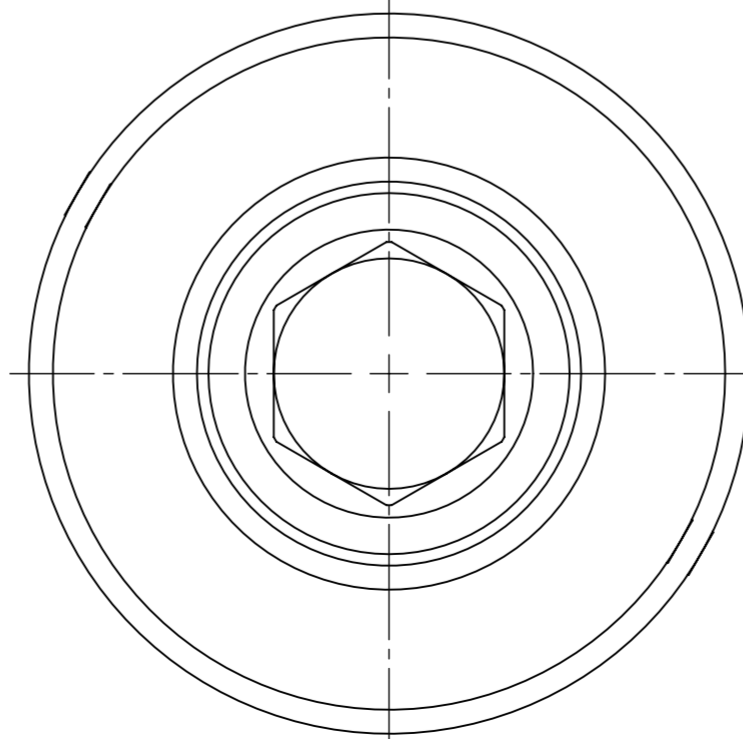
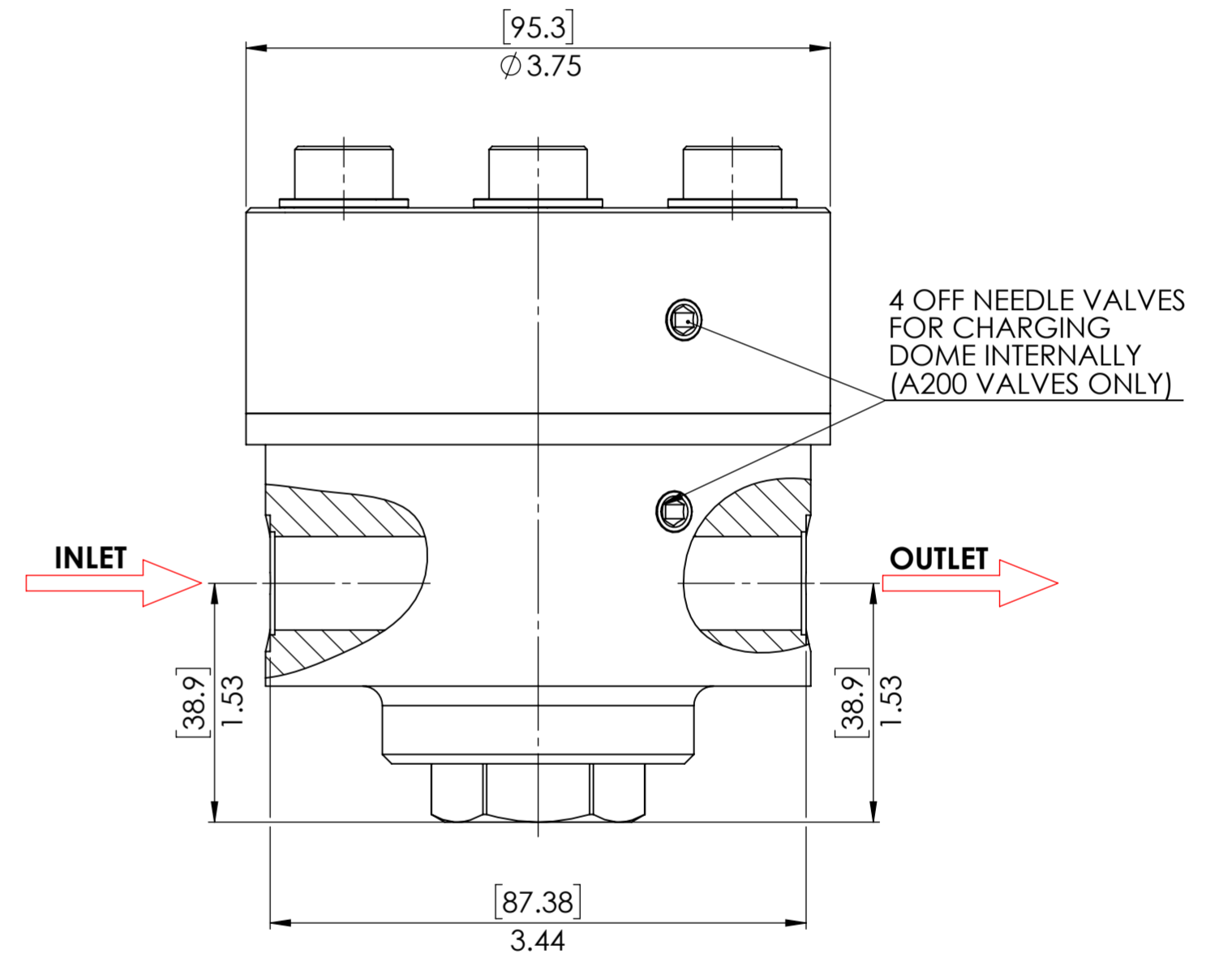
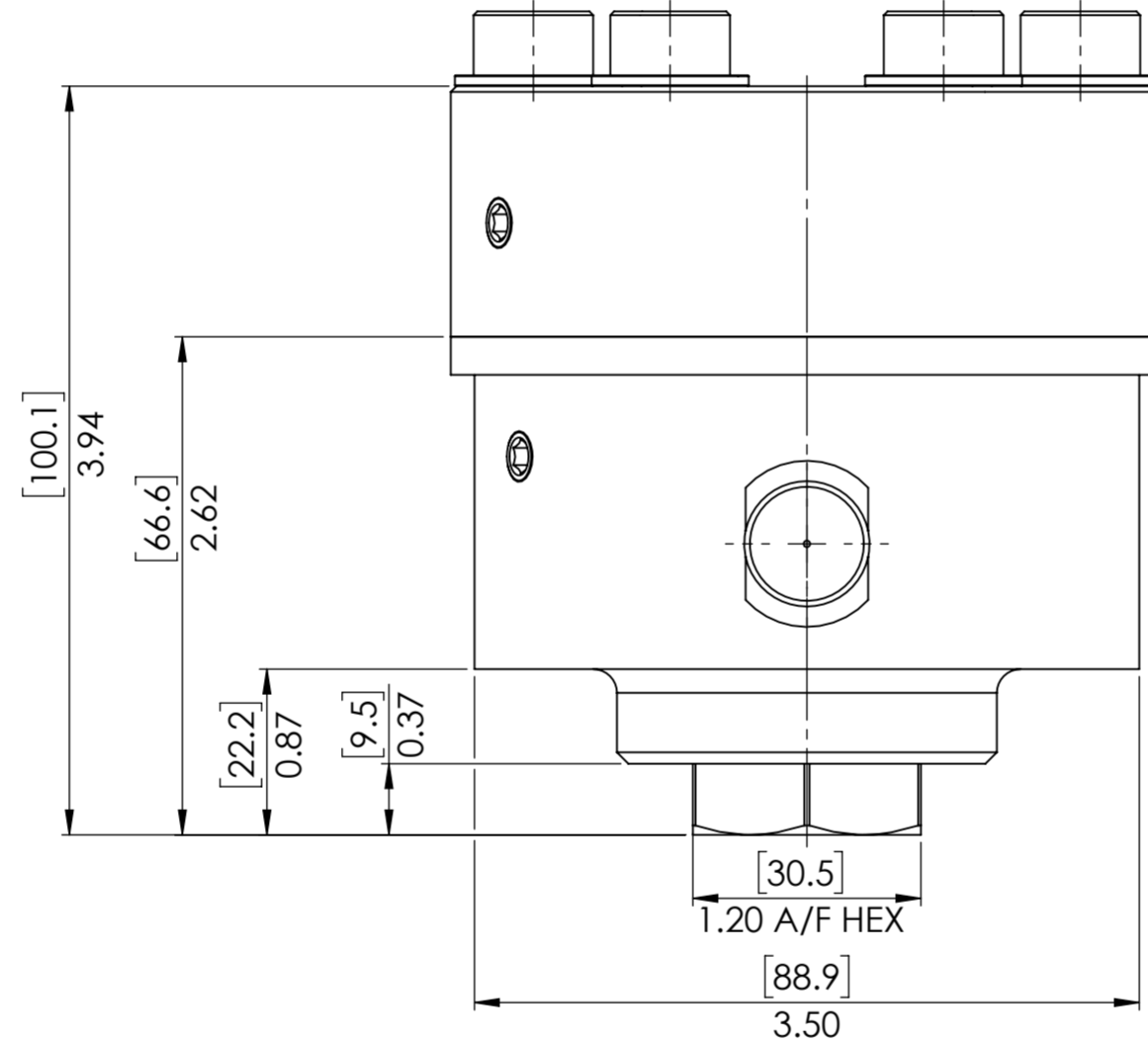
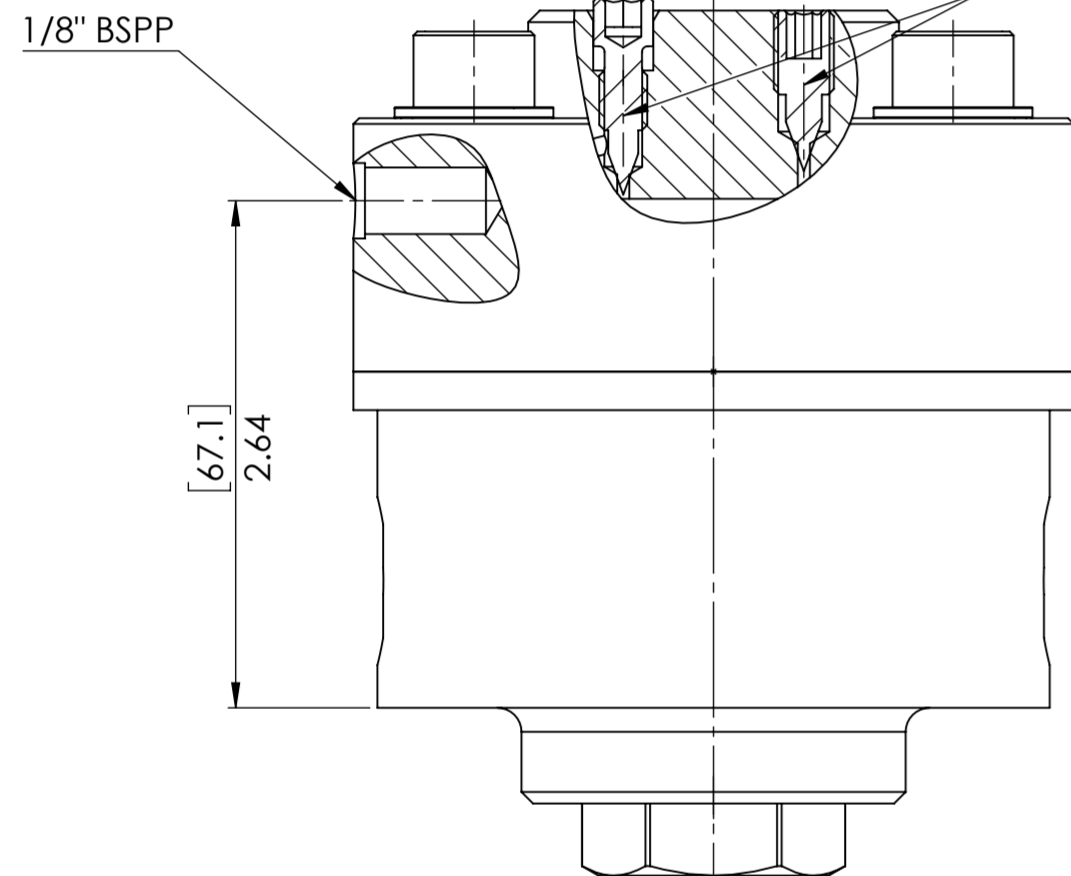
SEAT MATERIAL	
NY	NYLON

SEALS	
N	NITRILE
V	VITON

PORTING	
37P	3/8" BSPP
37N	3/8" NPT

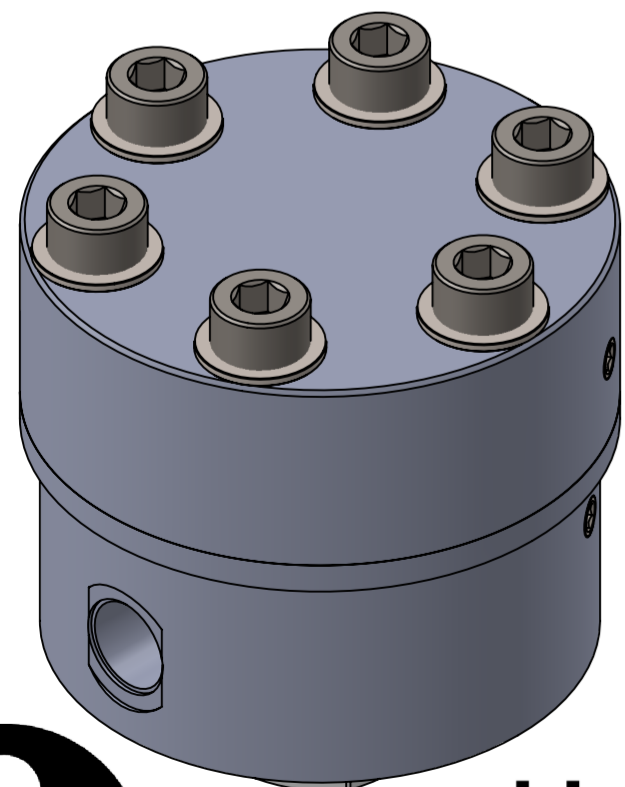


2 OFF NEEDLE VALVES FOR CHARRING DOME EXTERNALLY (A201 VALVES ONLY)



SPECIFICATION

- ORIFICE: 6.4mm (0.25")
- MEDIUM: A200 - GAS ONLY
- MEDIUM: A201 - GAS AND LIQUID
- CAPACITY VALUE: 0.6
- DRY WEIGHT: 1.72 kg (3.8 lb) (ALUMINIUM ALLOY)
- OXYGEN SERVICE AVAILABLE



© AND DESIGN RIGHT BIS WELLS LTD. ALL RIGHTS RESERVED. WITHOUT THE PRIOR WRITTEN PERMISSION OF BIS WELLS LTD NO PART OF THIS DOCUMENT MAY BE ALTERED, ADAPTED, PUBLISHED, REPRODUCED OR TRANSMITTED IN ANY FORM OR MEDIUM.				UNLESS OTHERWISE SPECIFIED DIMENSIONS ARE IN INCHES 1. LINEAR TOLERANCES : ±0.1" 2. ANGULAR TOLERANCES : ±2°			
DRAWN	N.DANIEL	SHEET	1 OF 1	DRAWING SIZE	A2	DRAWING SCALE	1:1
DATE	10/12/19	ISSUE	1	PROJECTION	3RD ANGLE	DRAWING NUMBER	DS0025