

DATASHEET

'T' BRANCH FILTER: F22

MODEL CODE					
F22 -	1	10M	SS	37P	N

MODEL TYPE	
F22	'T' BRANCH FILTER

MAXIMUM WORKING PRESSURE	
1	4,000 Psi (160 Bar)
2	6,000 Psi (414 Bar)

FILTRATION	
5M	5 MICRON
10M	10 MICRON
25M	25 MICRON
37M	37 MICRON

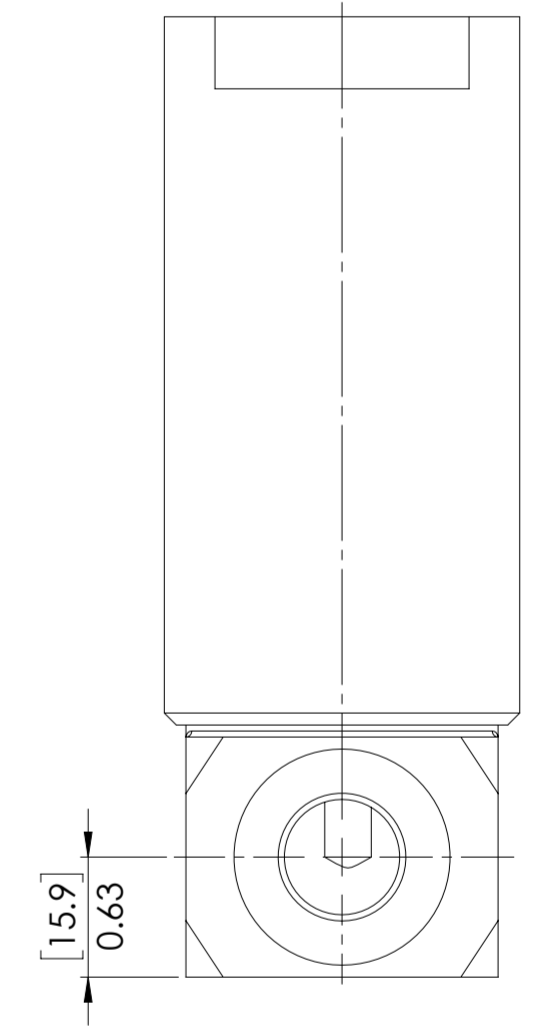
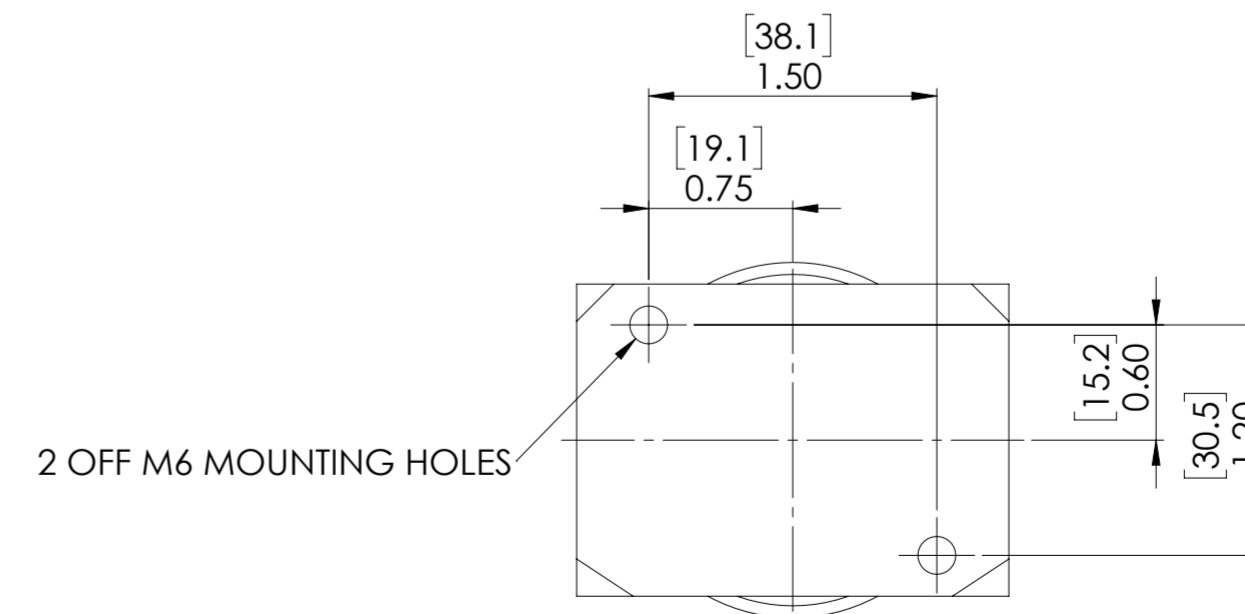
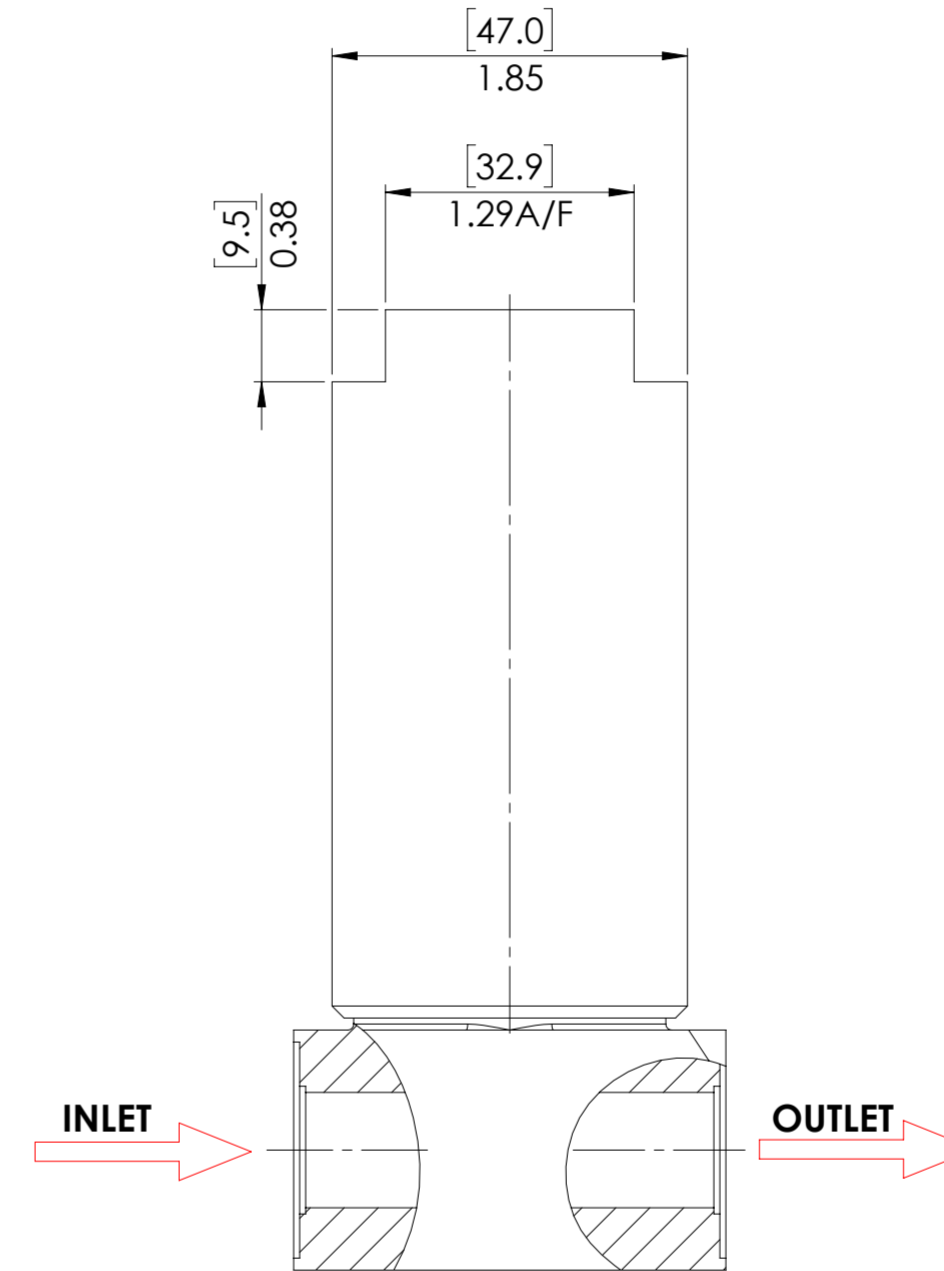
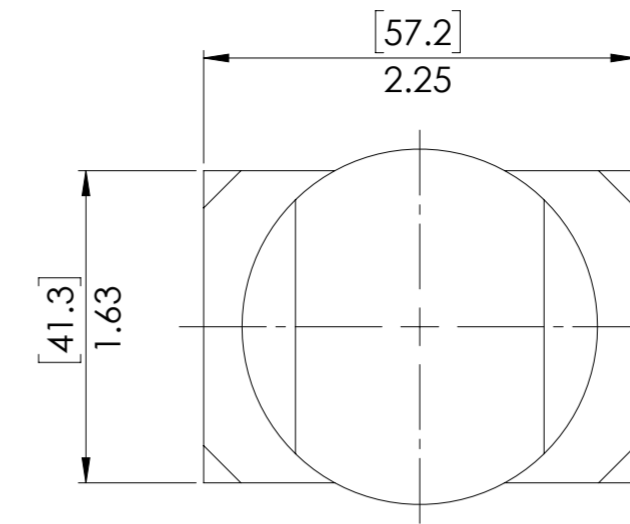
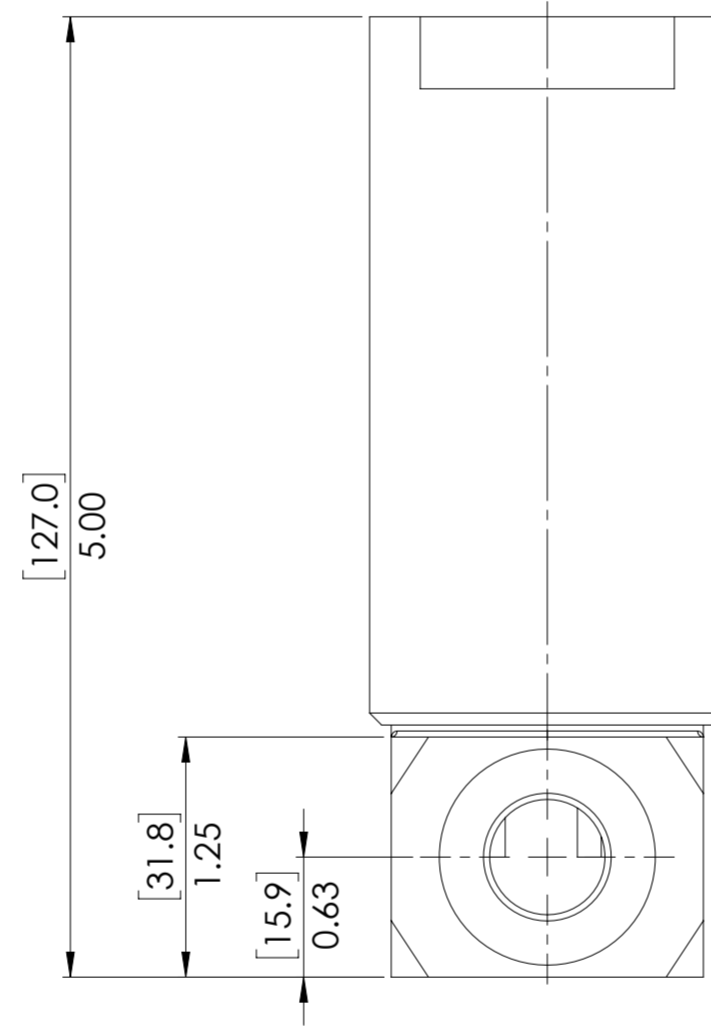
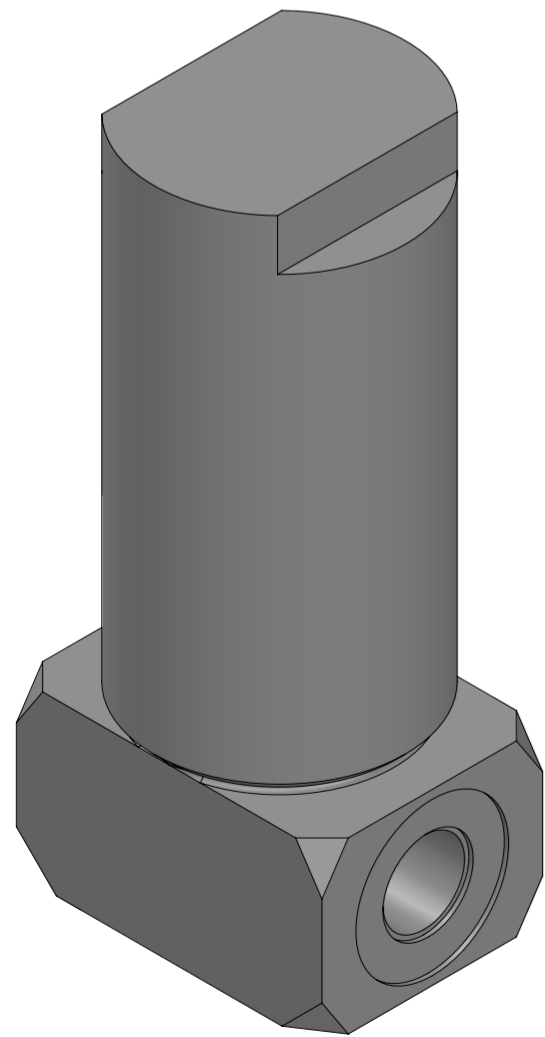
SEAL MATERIAL	
N	NITRILE
V	VITON

PORTS	
37P	3/8 BSPP
37N	3/8 NPT

MATERIAL	
A	ALUMINIUM
AB	ALUMINIUM BRONZE
BR	BRASS
SS	STAINLESS STEEL

SPECIFICATION

- MEDIUM: GAS AND LIQUIDS
- DRY WEIGHT: 1.7 kg (3.74 lb) (STAINLESS STEEL)



© AND DESIGN RIGHT Bis Wells LTD. ALL RIGHTS RESERVED. WITHOUT THE PRIOR WRITTEN PERMISSION OF Bis Wells Ltd NO PART OF THIS DOCUMENT MAY BE ALTERED, ADAPTED, PUBLISHED, REPRODUCED OR TRANSMITTED IN ANY FORM OR MEDIUM.

DRAWN N.Daniel	SHEET 1 OF 1	 3RD ANGLE PROJECTION	DRAWING SIZE A2	DRAWING SCALE 1:1	DRAWING NUMBER DS0038
DATE 18/02/20	ISSUE 1				

UNLESS OTHERWISE SPECIFIED DIMENSIONS ARE IN INCHES
1. LINEAR TOLERANCES : ±0.1"
2. ANGULAR TOLERANCES : ±2°