

DATASHEET

PNEUMATIC AND HYDRAULIC REGULATORS: A20

MODEL CODE							
A	20	-	A	N	P	50P	0 0 0

MODEL TYPE	A	REGULATOR
------------	---	-----------

REGULATED PRESSURE	20	0 - 1.00 Psi
--------------------	----	--------------

MATERIAL	A	ALUMINIUM
	AB	ALUMINIUM BRONZE
	BR	BRASS
	SS	STAINLESS STEEL

SEAL MATERIAL	N	NITRILE
	V	VITON

SEAT MATERIAL	P	POLYMER
---------------	---	---------

HANDWHEEL	0	STANDARD HANDWHEEL
	L	LOCKING

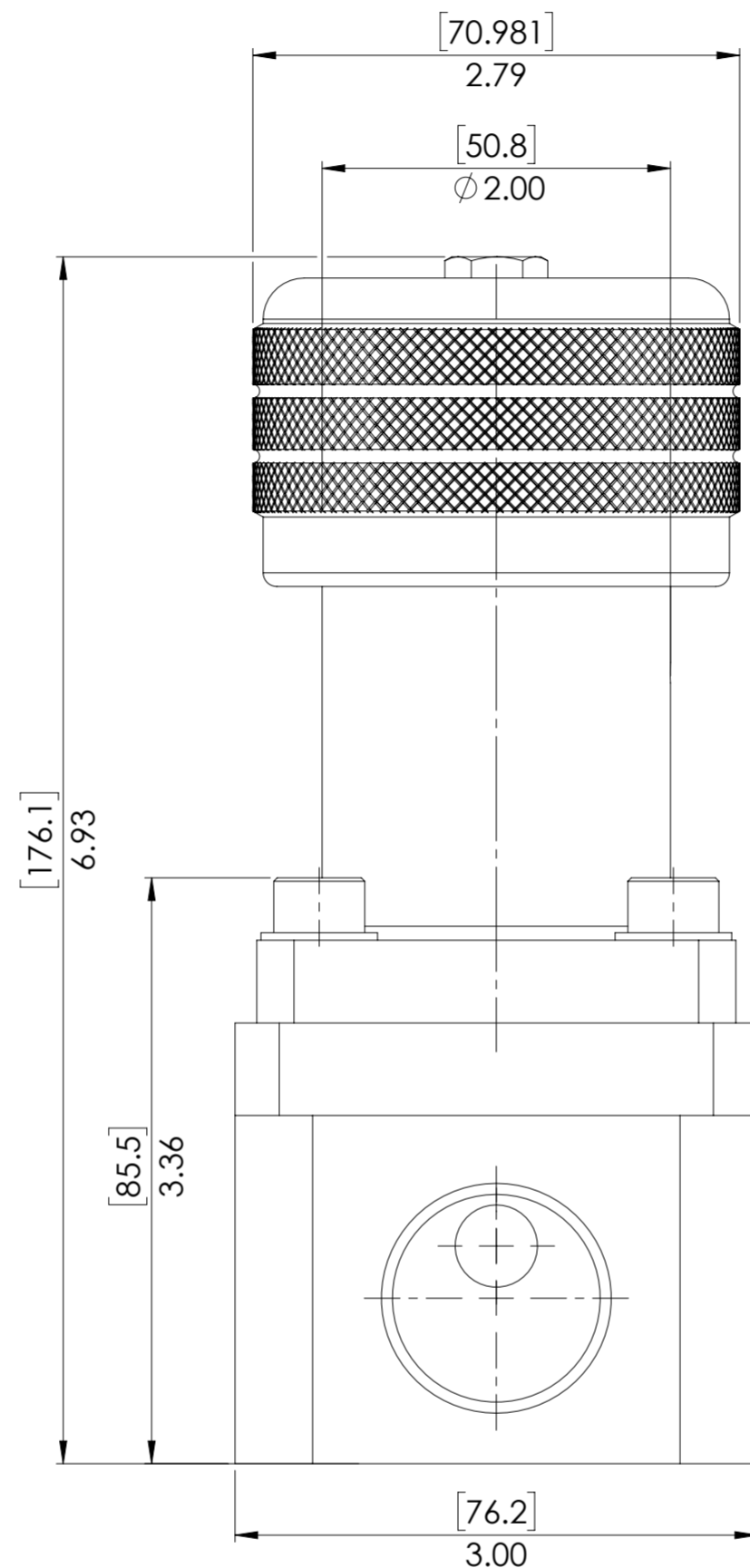
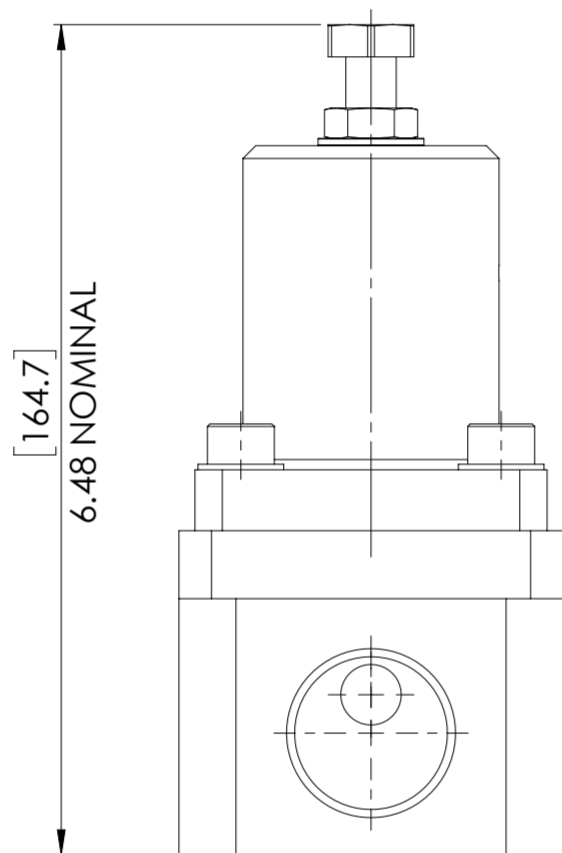
OUTLET GAUGE PORT	0	NO PORT
	1	1/4" NPT

INLET GAUGE PORT	0	NO PORT
	1	1/4" NPT

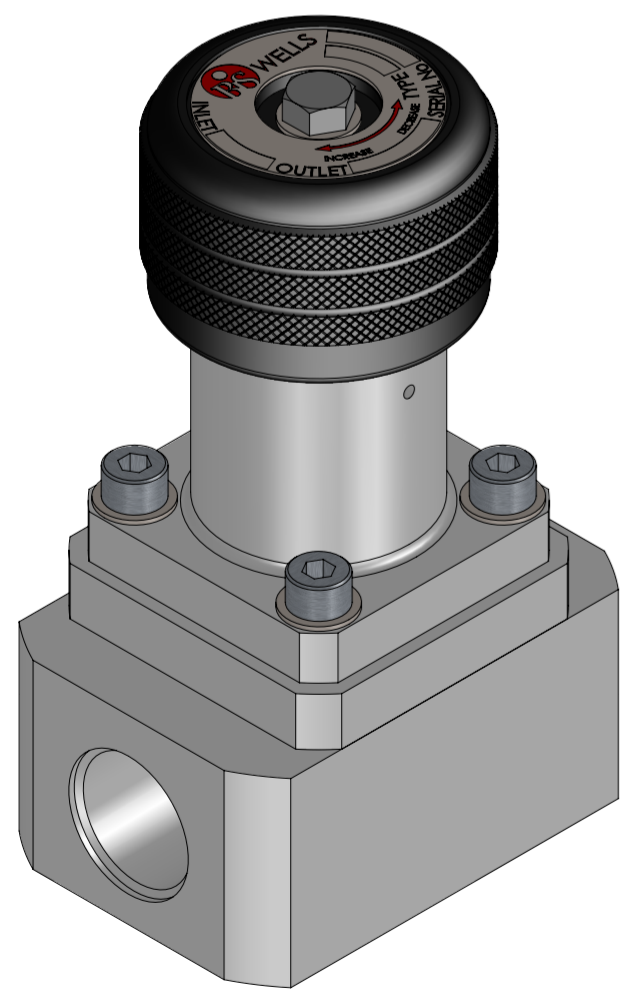
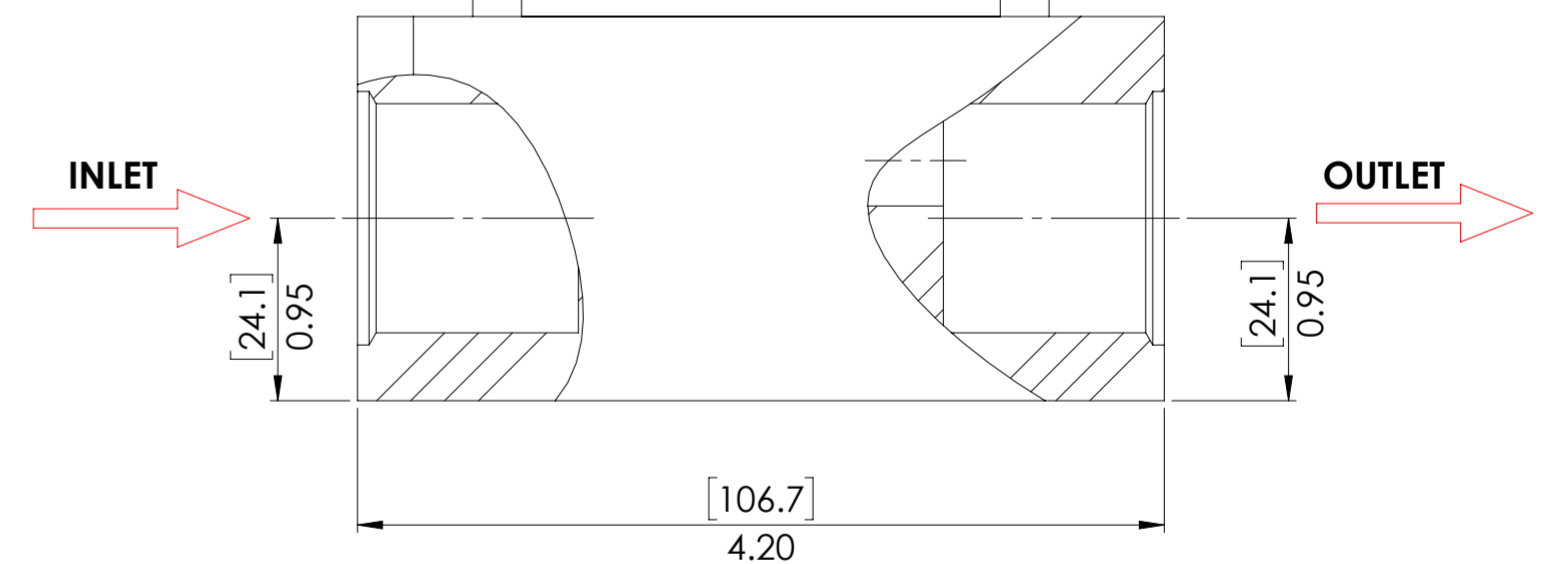
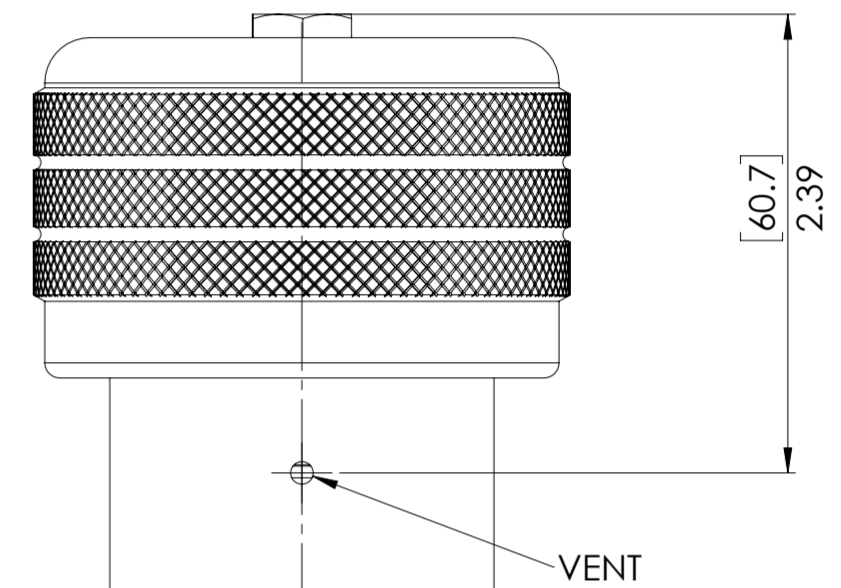
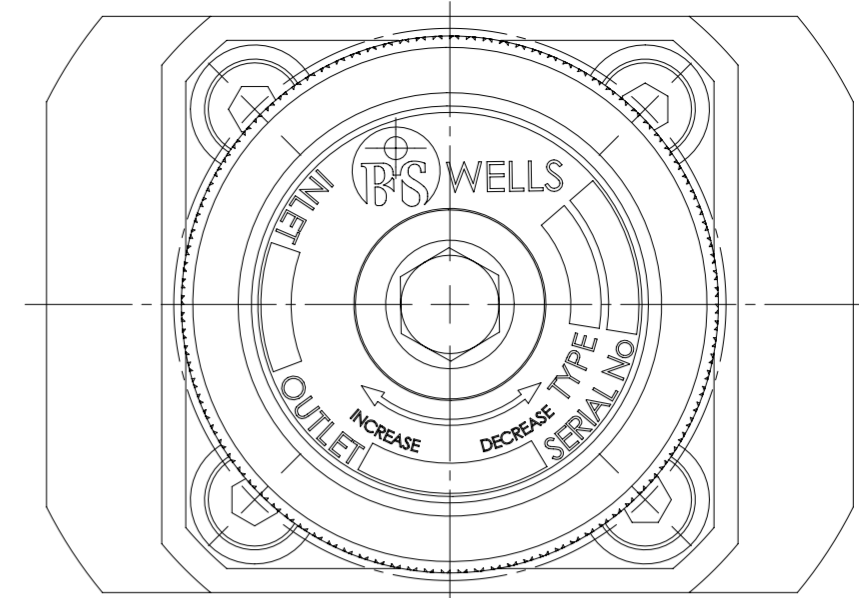
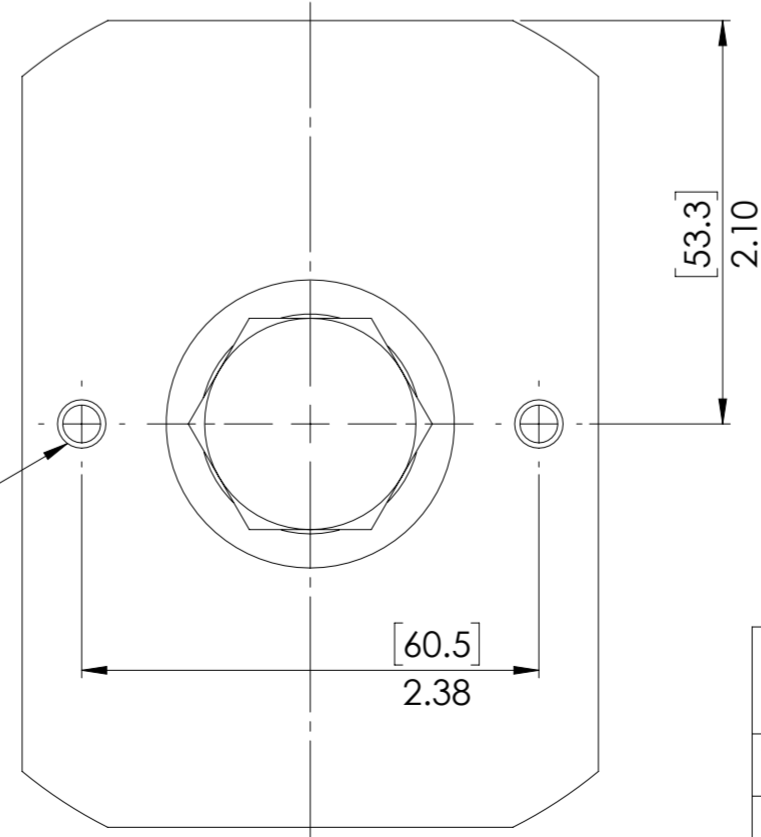
PORTS	
50N	1/2" NPT
50P	1/2" BSP
100N	1" NPT
100P	1" BSP

- INLET PRESSURE: 1,000 Psi MAXIMUM
- WEIGHT: 1.9 Kg (ALUMINIUM VERSION)
- Cv: 2.0
- OXYGEN SERVICE OPTION

ALTERNATIVE LOCKING OPTION



2 OFF MOUNTING HOLES.
M6 x 0.5" FULL THREAD



© AND DESIGN RIGHT BIS WELLS LTD. ALL RIGHTS RESERVED. WITHOUT THE PRIOR WRITTEN PERMISSION OF BIS WELLS LTD NO PART OF THIS DOCUMENT MAY BE ALTERED, ADAPTED, PUBLISHED, REPRODUCED OR TRANSMITTED IN ANY FORM OR MEDIUM.				UNLESS OTHERWISE SPECIFIED DIMENSIONS ARE IN INCHES 1. LINEAR TOLERANCES : ±0.1" 2. ANGULAR TOLERANCES : ±2°						
DRAWN	N.DANIEL	SHEET	1 OF 1	 3RD ANGLE PROJECTION	DRAWING SIZE	A2	DRAWING SCALE	2:3	DRAWING NUMBER	DS0040
DATE	19/02/20	ISSUE	1							