

DATASHEET

BACK PRESSURE MAINTAINING VALVES (BPMV): H18

MODEL CODE						
H18 -	1	1	SS	MP3	N	AL

MODEL TYPE	
H18	BACK PRESSURE MAINTAINING VALVE

INLET PRESSURE	
1	11,000 Psi (760 Bar)

SET PRESSURE RANGE	
1	5,800 ~ 10,000 Psi (400 ~ 700 Bar)

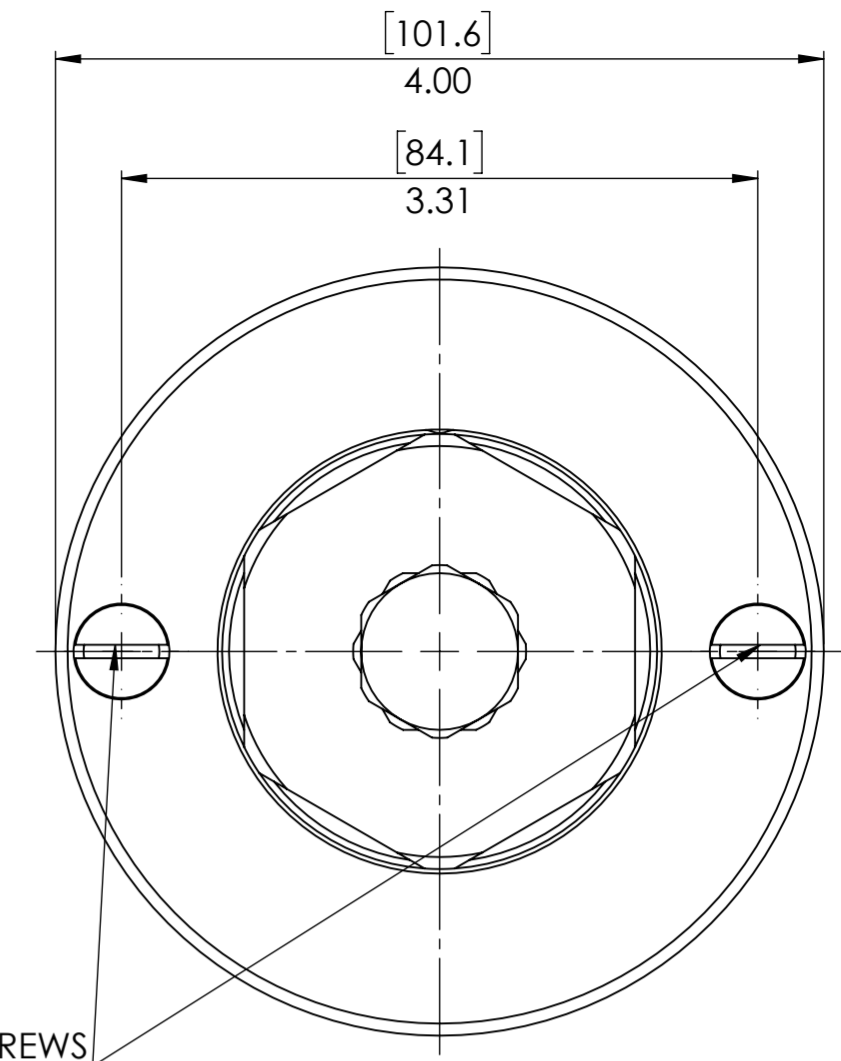
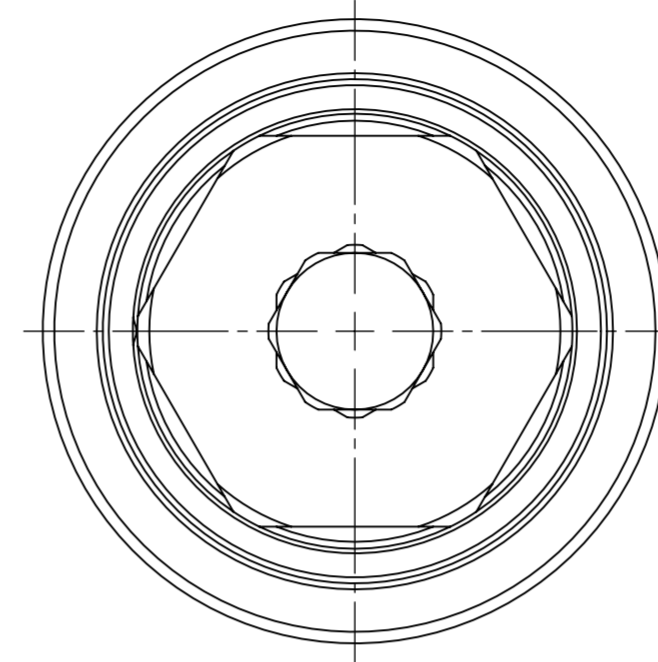
MATERIAL	
SS	STAINLESS STEEL

SEAT MATERIAL	
AL	ALLOY
SS	STAINLESS STEEL
PE	PEEK

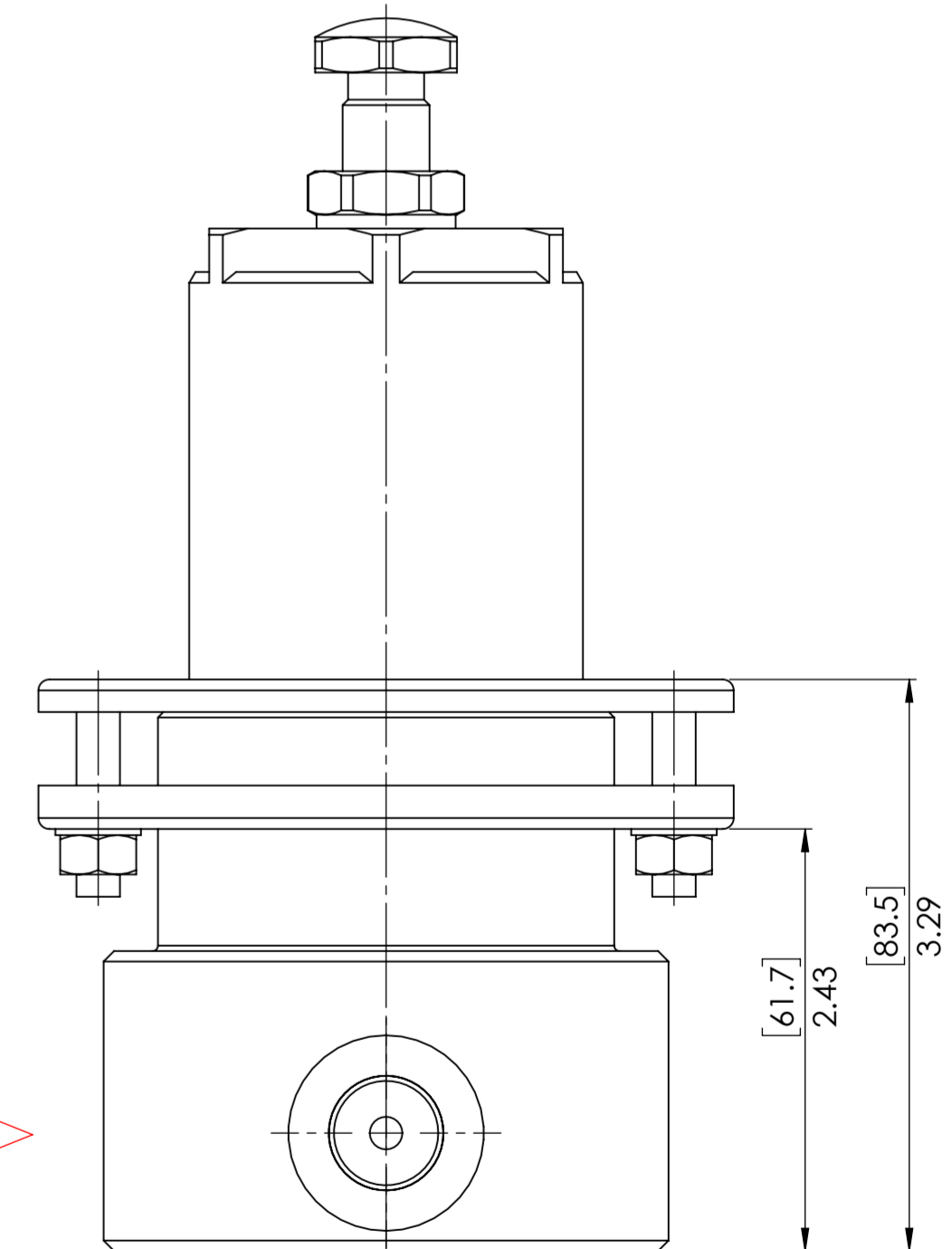
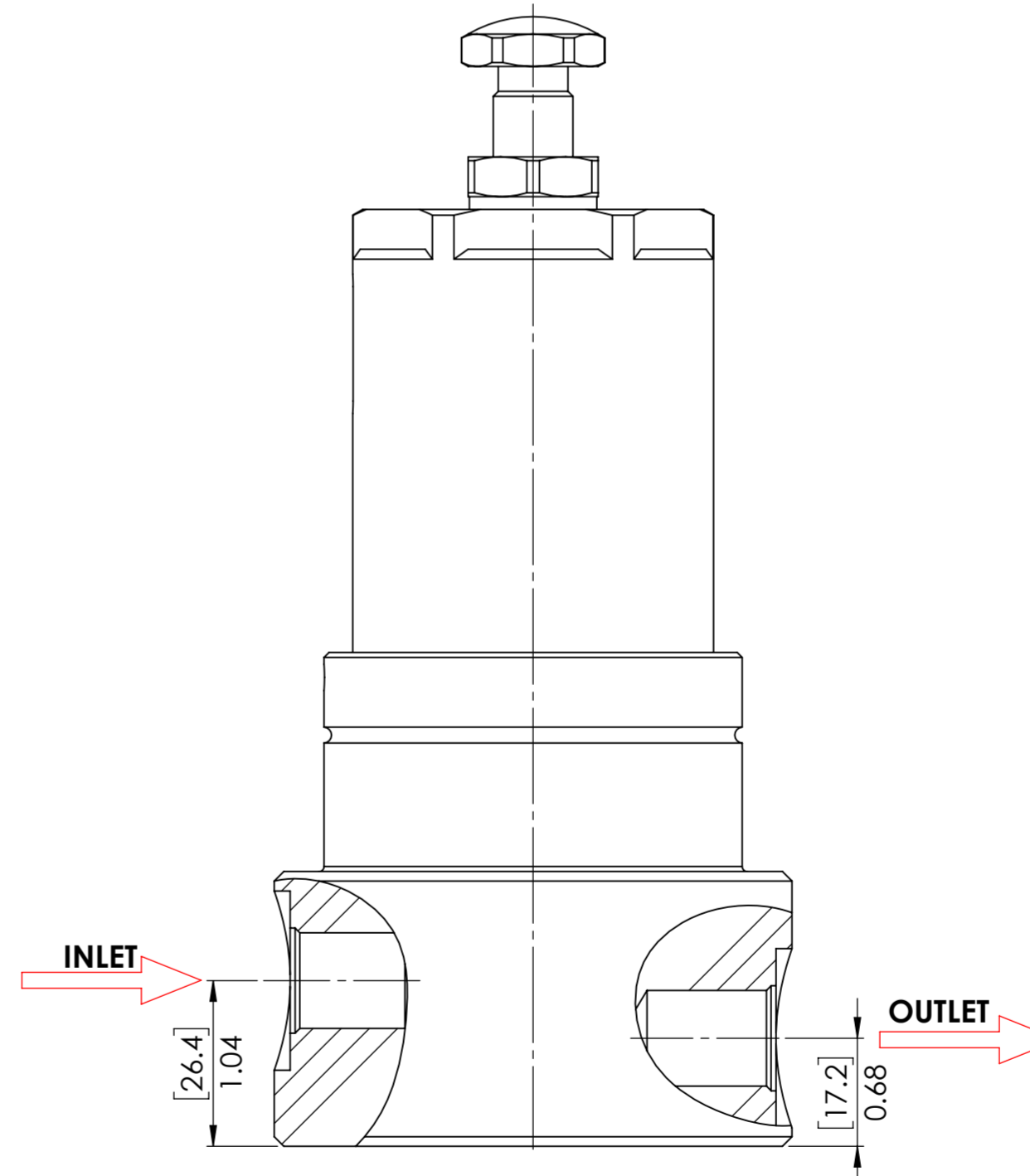
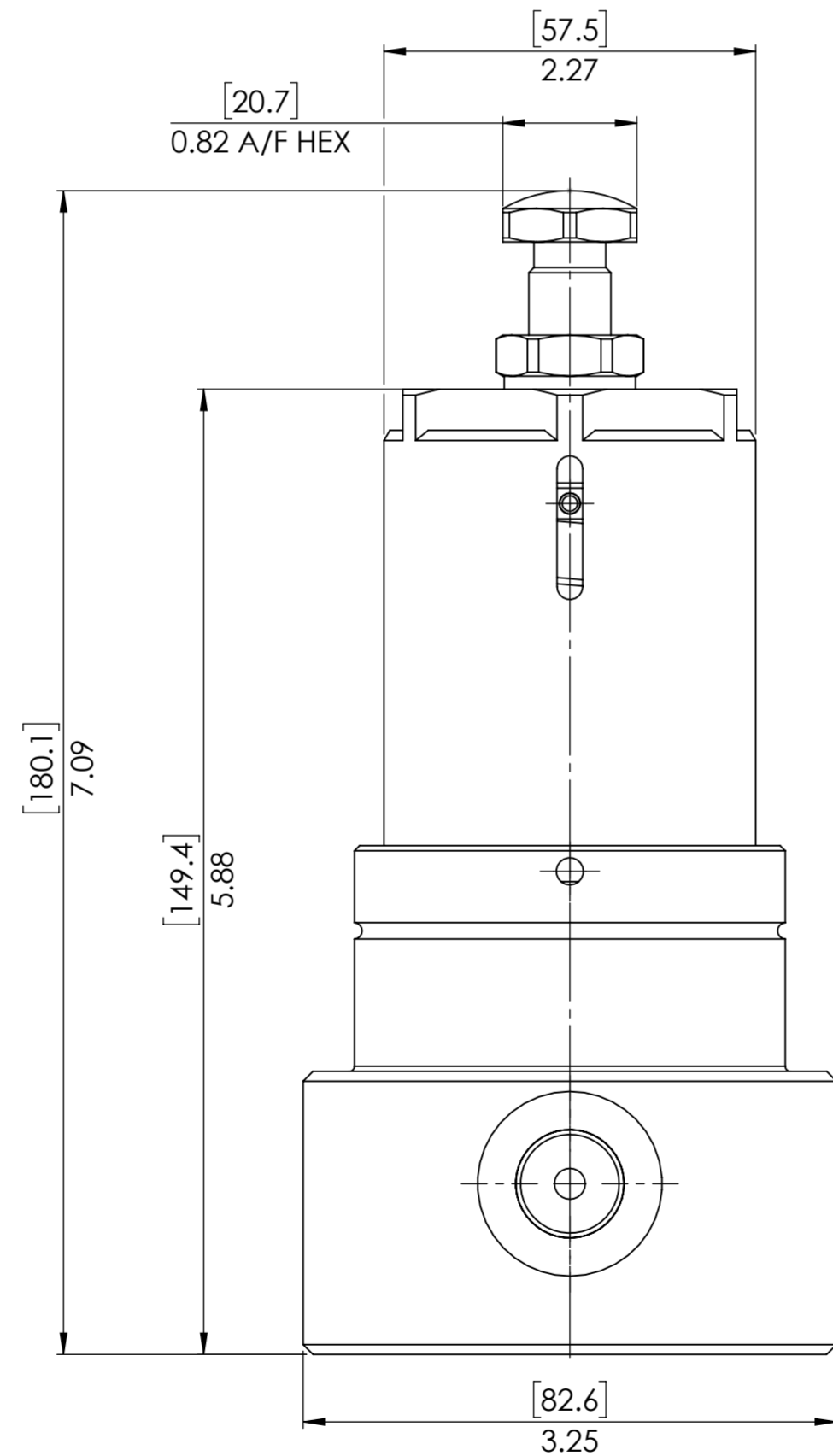
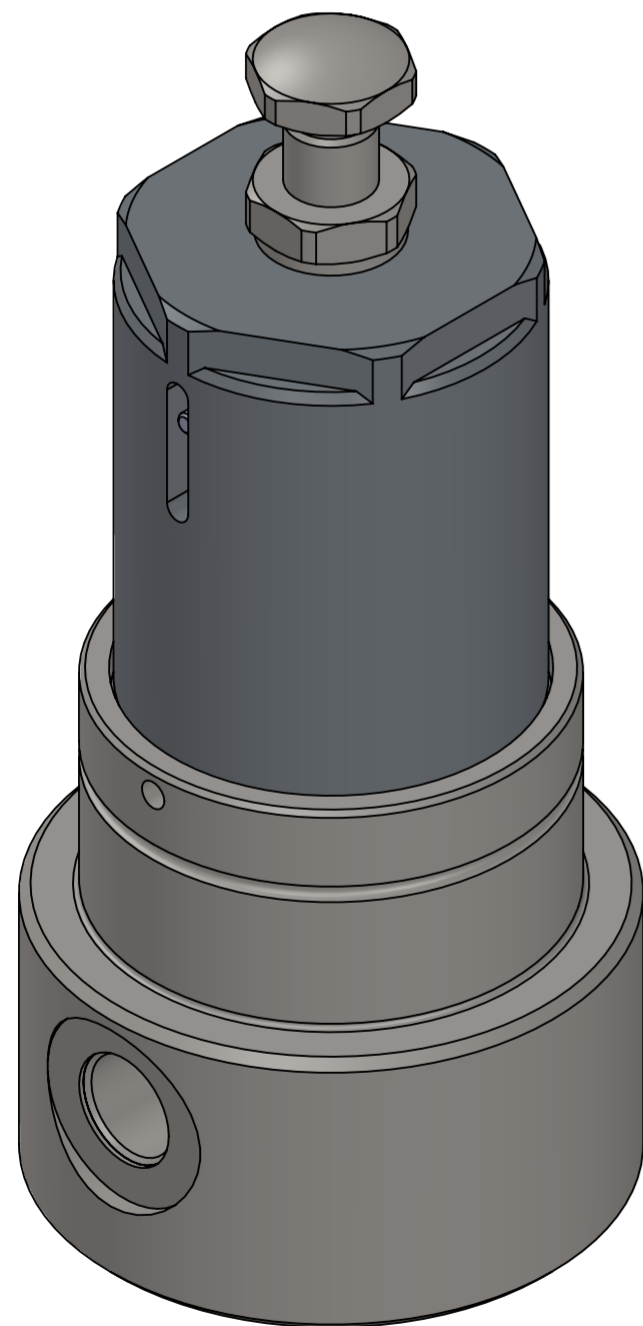
SEAL MATERIAL	
N	NITRILE
V	VITON

PORTS	
MP3	MEDIUM PRESSURE 13/16" - 16
25N	1/4 NPT

- ORIFICE DIAMETER: 4.7mm
- MEDIUM: GAS AND LIQUID
- DRY WEIGHT: 2.1 Kg (STAINLESS STEEL)



PANEL MOUNTING OPTION AVAILABLE



© AND DESIGN RIGHT BIS WELLS LTD. ALL RIGHTS RESERVED. WITHOUT THE PRIOR WRITTEN PERMISSION OF BIS WELLS LTD NO PART OF THIS DOCUMENT MAY BE ALTERED, ADAPTED, PUBLISHED, REPRODUCED OR TRANSMITTED IN ANY FORM OR MEDIUM.				UNLESS OTHERWISE SPECIFIED DIMENSIONS ARE IN INCHES 1. LINEAR TOLERANCES : ±0.1" 2. ANGULAR TOLERANCES : ±2°						
DRAWN	N.Daniel	SHEET	1 OF 1	 3RD ANGLE PROJECTION	DRAWING SIZE	A2	DRAWING SCALE	1:1	DRAWING NUMBER	DS0045
DATE	26/02/20	ISSUE	2							