

DATASHEET

BACK PRESSURE MAINTAINING VALVE (BPMV): H120 AND H121

MODEL CODE	
H120	1 1 AA 150P N NY 0

MODEL TYPE	
H120	DOME LOADED INTERNALLY
H121	DOME LOADED EXTERNALLY

MAXIMUM INLET PRESSURE	
1	1,000 Psi (70 Bar)

SET PRESSURE RANGE	
1	0.75 ~ 1,000 Psi (0.05 ~ 70 Bar)

MATERIAL	
AA	ALUMINIUM ALLOY
SS	STAINLESS STEEL
AB	ALUMINIUM BRONZE
BR	BRASS

GAUGE PORT	
0	NO PORT
GI	1/4" BSPP INLET
GO	1/4" BSPP OUTLET
GB	1/4" BSPP INLET & OUTLET

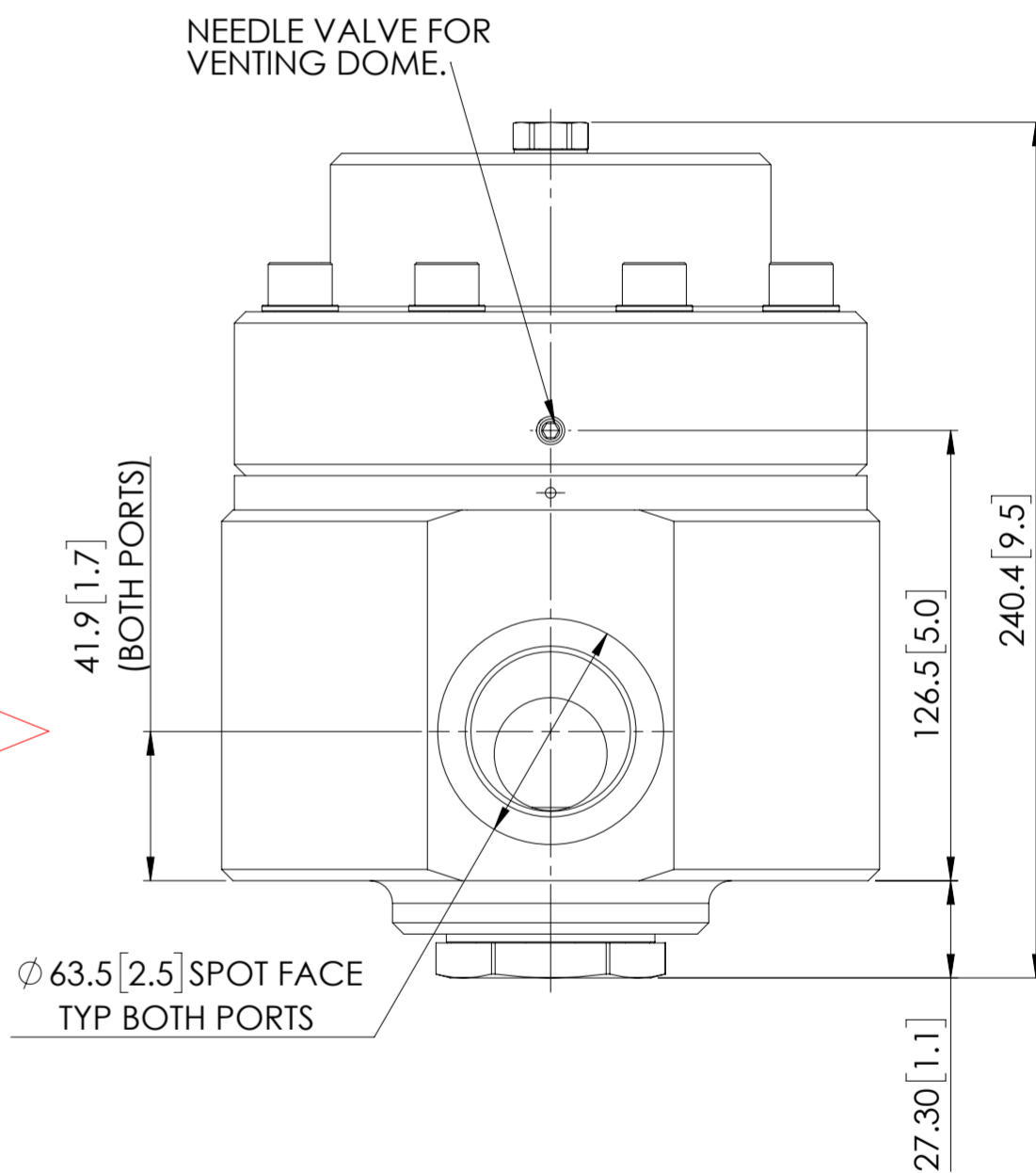
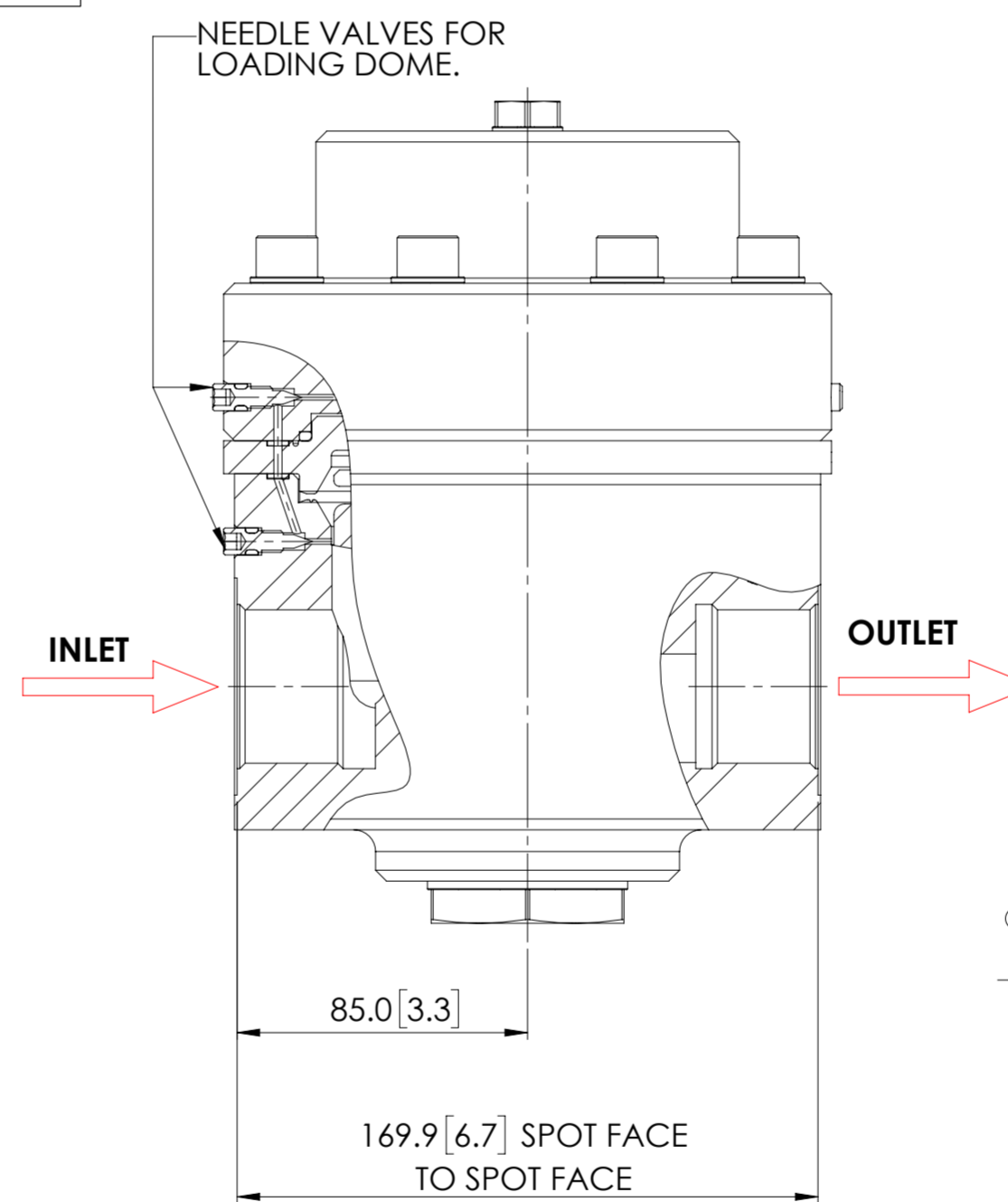
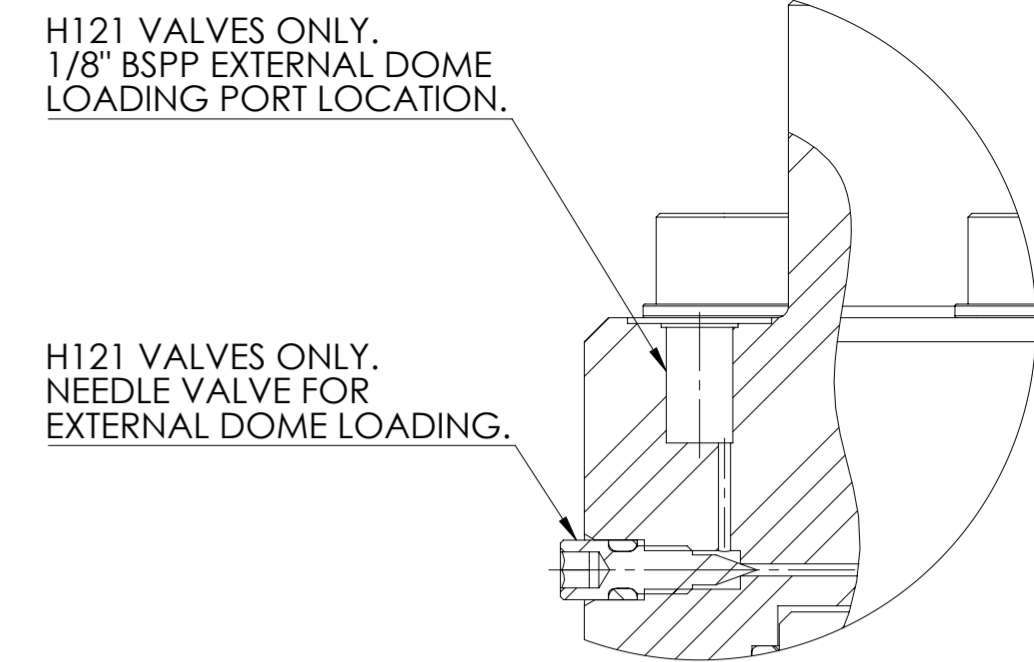
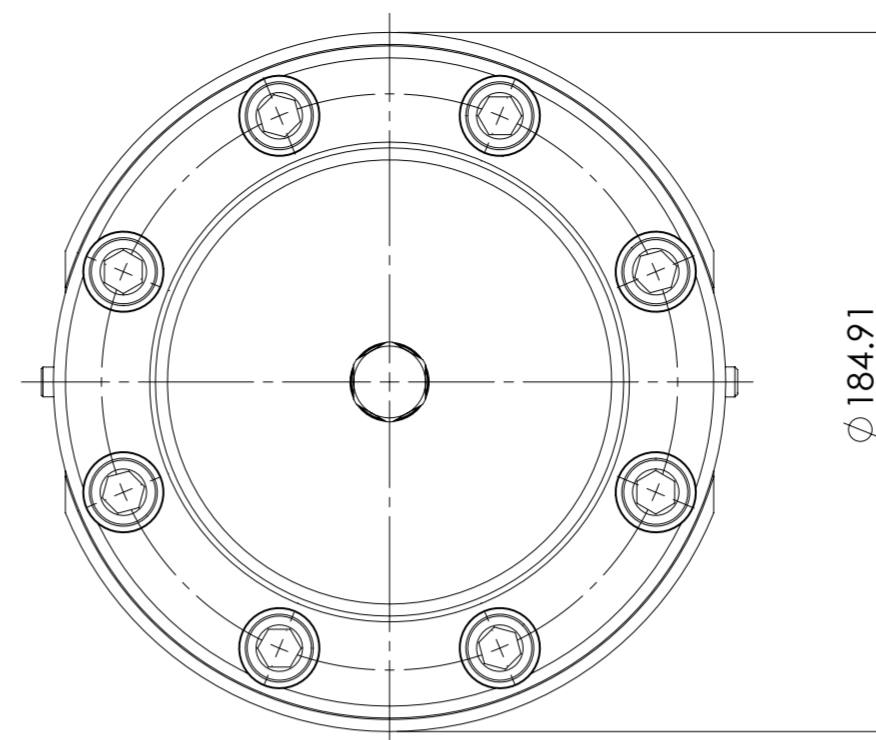
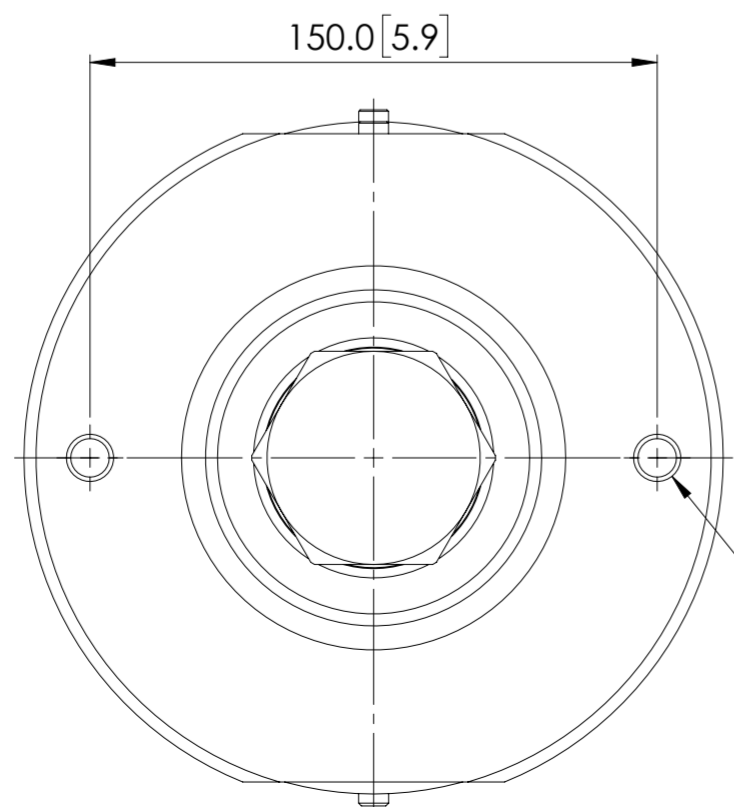
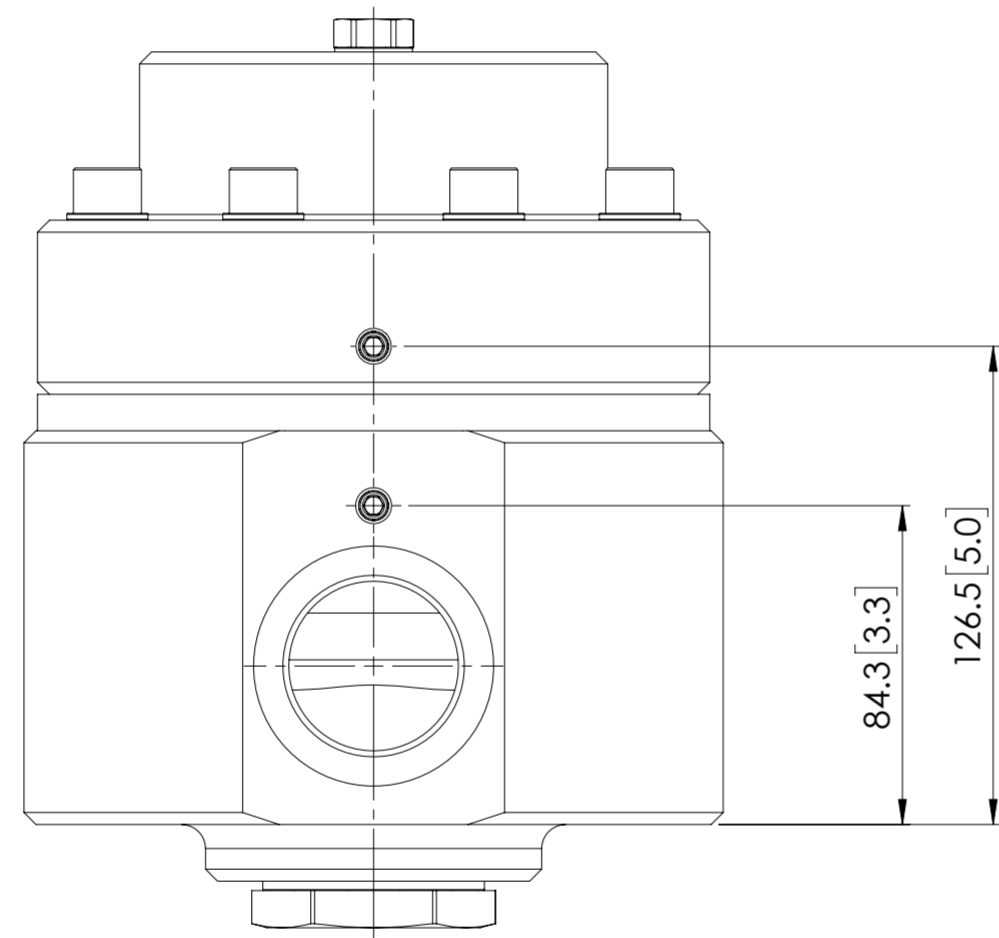
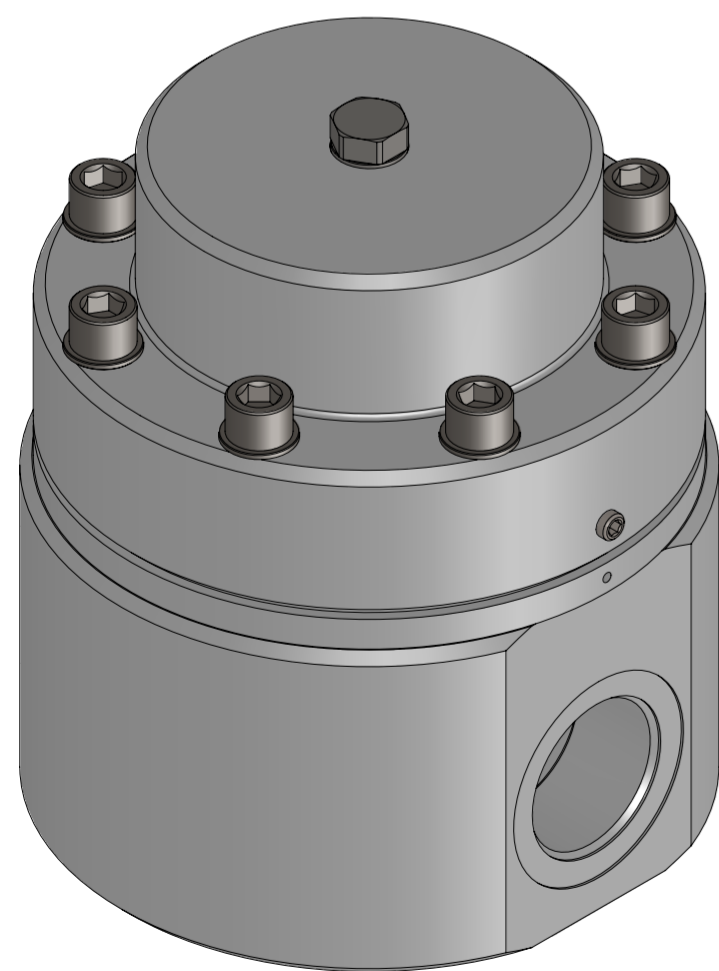
SEAT MATERIAL	
NY	NYLON

SEALS	
N	NITRILE
V	VITON

PORTING	
150P	1 1/2" BSPP
150N	1 1/2" NPT

SPECIFICATION

- ORIFICE: 25.4mm (1")
- MEDIUM: H120 - GAS ONLY
- MEDIUM: H121 - GAS AND LIQUID
- DRY WEIGHT: 14.0 kg (31 lb) (ALUMINIUM ALLOY)
- OXYGEN SERVICE AVAILABLE



© AND DESIGN RIGHT BIS WELLS LTD. ALL RIGHTS RESERVED. WITHOUT THE PRIOR WRITTEN PERMISSION OF BIS WELLS LTD NO PART OF THIS DOCUMENT MAY BE ALTERED, ADAPTED, PUBLISHED, REPRODUCED OR TRANSMITTED IN ANY FORM OR MEDIUM.				UNLESS OTHERWISE SPECIFIED DIMENSIONS ARE METRIC 1. LINEAR TOLERANCES : ±0.1mm 2. ANGULAR TOLERANCES : ±2°						
DRAWN	J.PHELAN	SHEET	1 OF 1	3RD ANGLE PROJECTION	DRAWING SIZE	A2	DRAWING SCALE	1:2	DRAWING NUMBER	DS0011
DATE	03/05/19	ISSUE	2							