

# DATASHEET

## STOP AND FLOW CONTROL VALVES: B1 SERIES

MODEL CODE					
B1-	1	BR	25P	N	NY

MODEL TYPE	
B1	STOP AND FLOW CONTROL VALVE

MAXIMUM INLET PRESSURE	
1	4,000 Psi (275 Bar)

MATERIAL	
A	ALUMINIUM
AB	ALUMINIUM BRONZE
BR	BRASS
SS	STAINLESS STEEL

SEAT MATERIAL	
NY	POLYMER
PT	PTFE
OTHER MATERIALS AVAILABLE ON REQUEST	

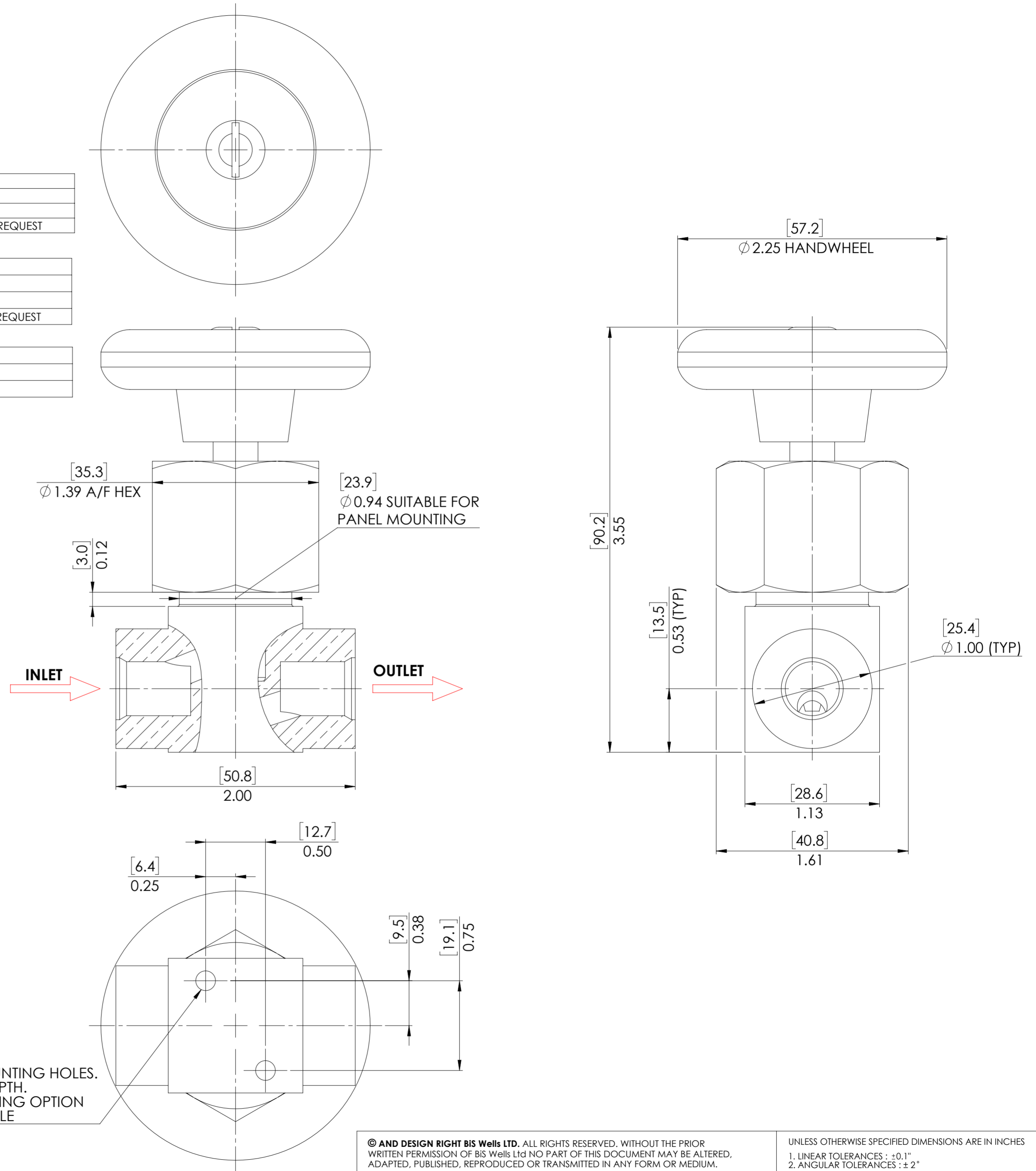
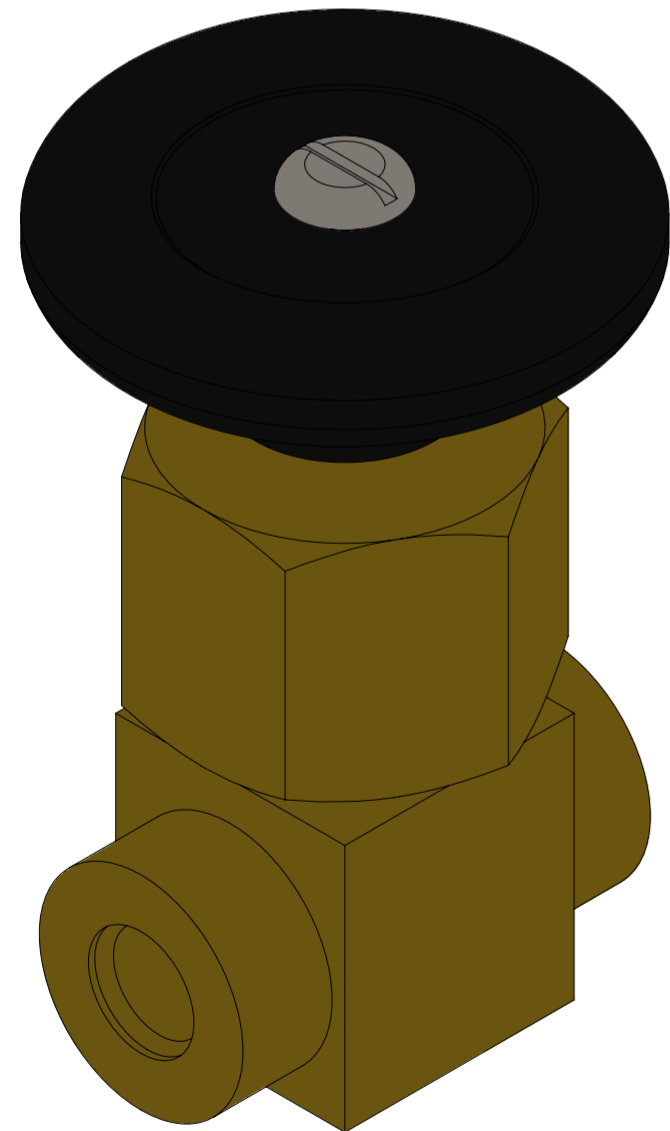
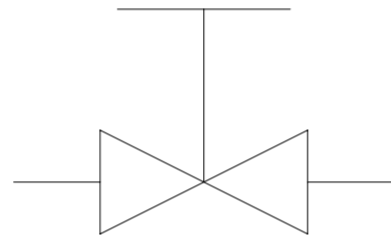
SEAL MATERIAL	
N	NITRILE
V	VITON
OTHER MATERIALS AVAILABLE ON REQUEST	

PORTS	
25P	1/4" BSPP
25N	1/4" NPT

### SPECIFICATION

- WEIGHT: 0.6Kg (1.3lb) BRASS
- ORIFICE DIAMETER: 6.4mm (1/4")
- OXYGEN SERVICE VERSION AVAILABLE
- SUITABLE FOR BOTH GAS AND LIQUID
- SUITABLE FOR PANEL MOUNTING

### CIRCUIT SYMBOL



2 OFF M5 MOUNTING HOLES.  
 ∇ 0.5 [12.7] DEPTH.  
 PANEL MOUNTING OPTION  
 ALSO AVAILABLE



© AND DESIGN RIGHT BIS WELLS LTD. ALL RIGHTS RESERVED. WITHOUT THE PRIOR WRITTEN PERMISSION OF BIS WELLS LTD NO PART OF THIS DOCUMENT MAY BE ALTERED, ADAPTED, PUBLISHED, REPRODUCED OR TRANSMITTED IN ANY FORM OR MEDIUM.				UNLESS OTHERWISE SPECIFIED DIMENSIONS ARE IN INCHES 1. LINEAR TOLERANCES : ±0.1" 2. ANGULAR TOLERANCES : ±2°						
DRAWN	N.DANIEL	SHEET	1 OF 1	3RD ANGLE PROJECTION	DRAWING SIZE	A2	DRAWING SCALE	1:1	DRAWING NUMBER	DS0030
DATE	06/05/20	ISSUE	1							