

DATASHEET

FILTER VALVE ATTACHMENT: F1

| MODEL CODE | | | | | |
|------------|---|-----|----|-----|---|
| F1 - | 1 | 25M | SS | 37P | N |

| | | |
|------------|------|---------------------|
| MODEL TYPE | F1 - | INLINE STYLE FILTER |
|------------|------|---------------------|

| | | |
|--------------------------|---|---------------------|
| MAXIMUM WORKING PRESSURE | 1 | 6,000 Psi (414 Bar) |
|--------------------------|---|---------------------|

| | | |
|--------------------------------|-----|-----------|
| FILTRATION | 25M | 25 MICRON |
| OTHER MICRON RATINGS AVAILABLE | | |

| | |
|--------------------------------------|---------|
| SEAL MATERIAL | |
| N | NITRILE |
| V | VITON |
| OTHER MATERIALS AVAILABLE ON REQUEST | |

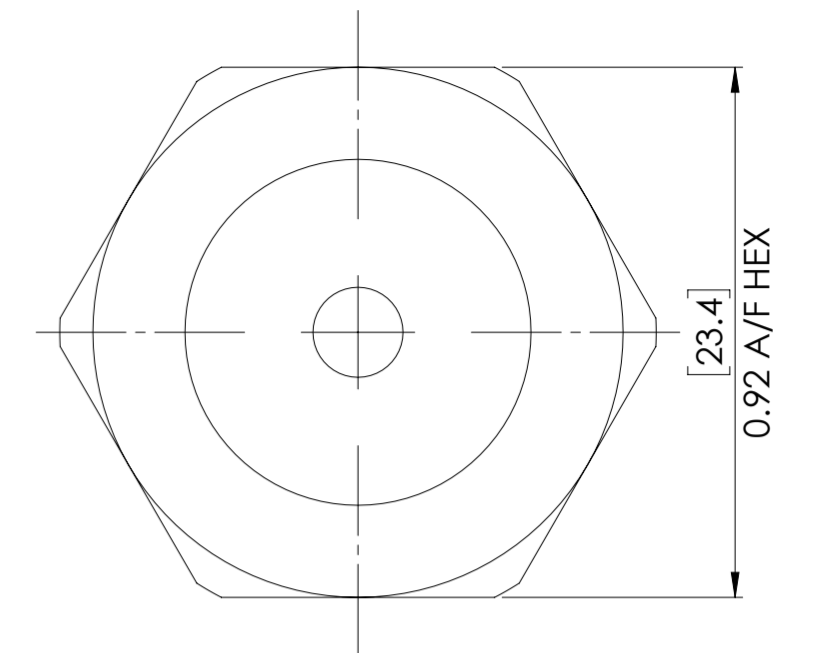
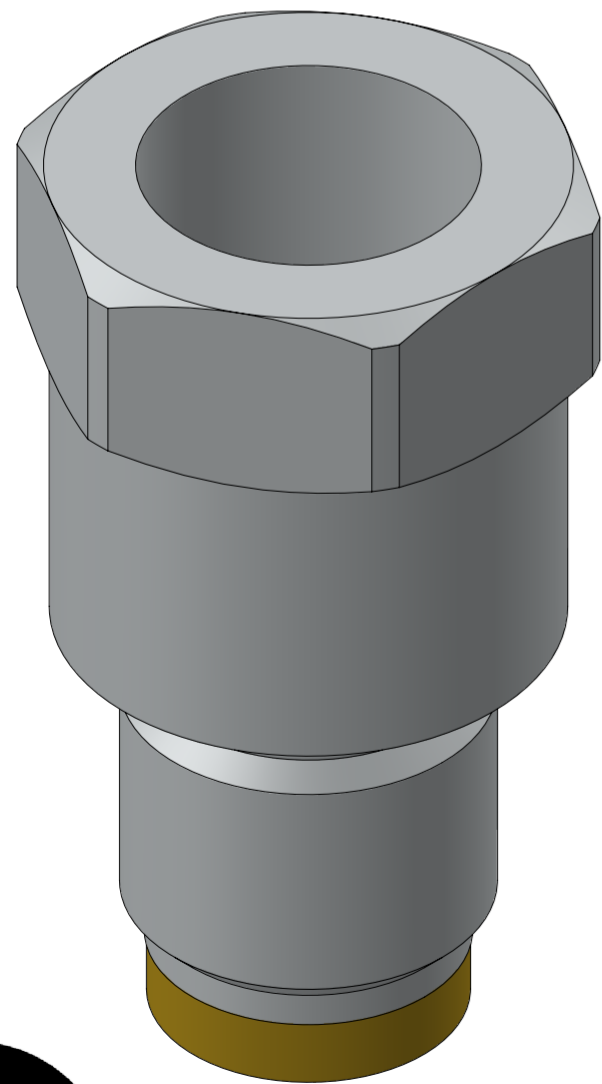
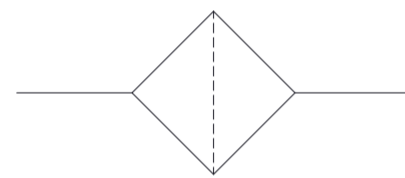
| | |
|-------|----------|
| PORTS | |
| 37P | 3/8 BSPP |
| 37N | 3/8 NPT |

| | |
|----------|------------------|
| MATERIAL | |
| A | ALUMINIUM |
| AB | ALUMINIUM BRONZE |
| BR | BRASS |
| SS | STAINLESS STEEL |

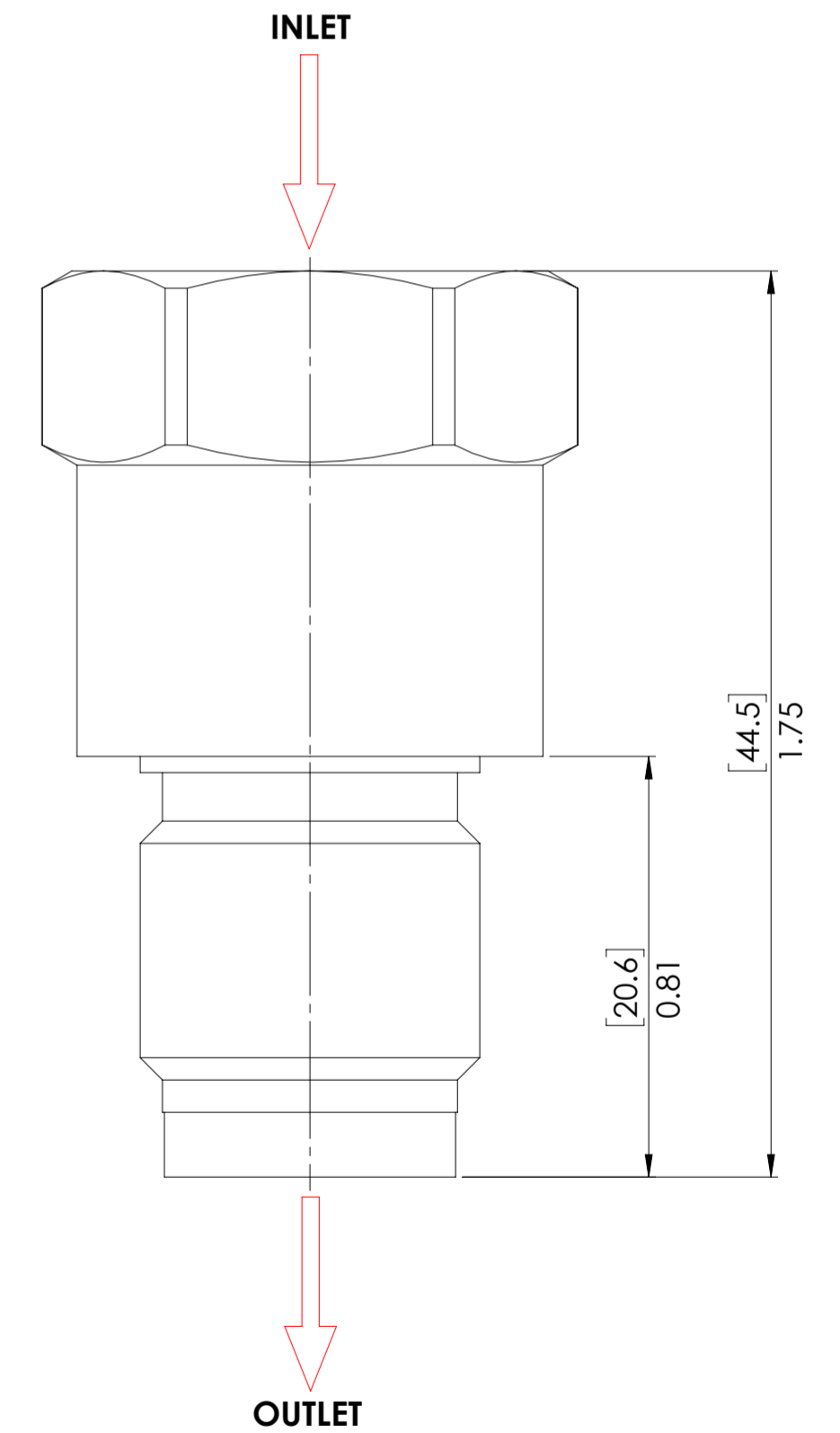
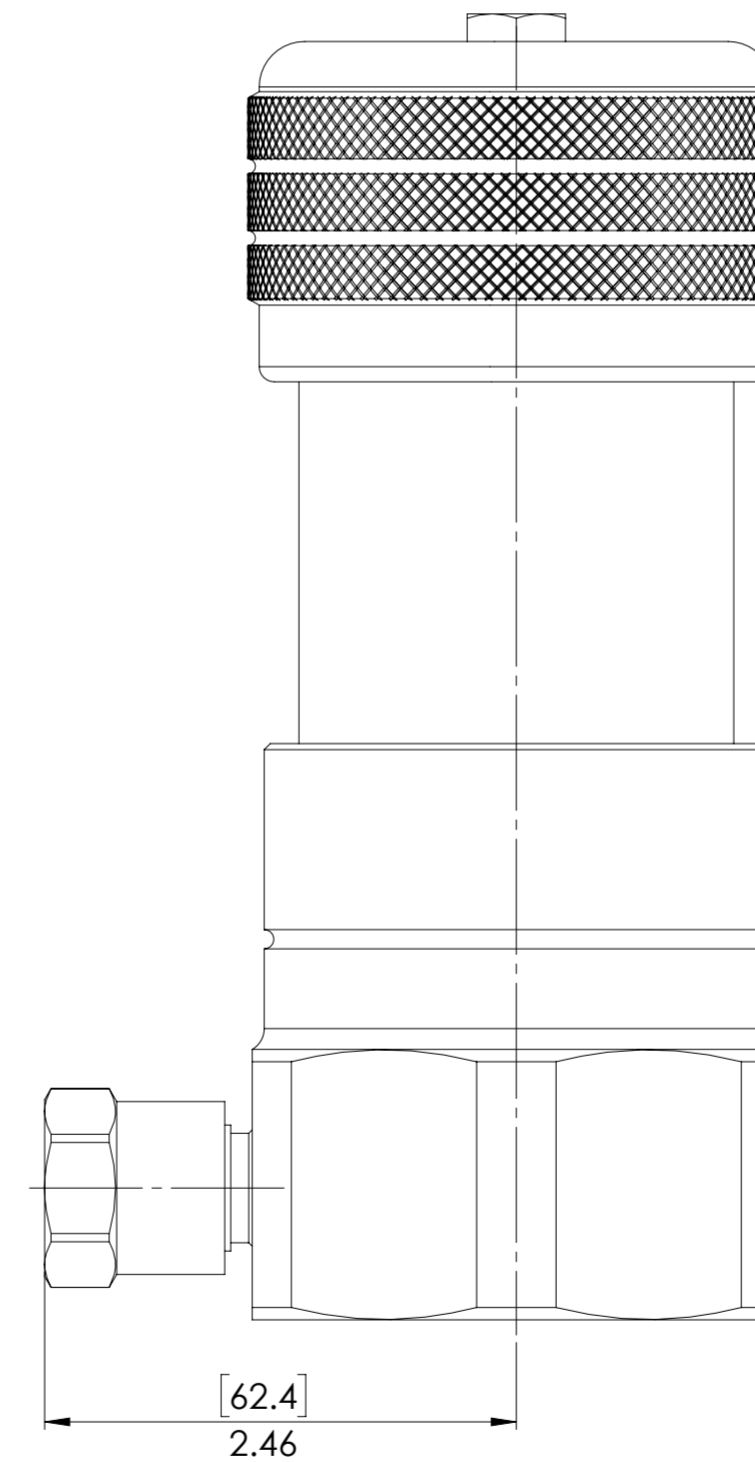
SPECIFICATION

- MEDIUM: GAS AND LIQUIDS
- DRY WEIGHT: 0.2 kg (0.44 lb) (ALUMINIUM)

FILTER SYMBOL



F1 FITTED WITH PRESSURE REGULATOR (A10)



| | | | | | | | | | | | | |
|--|----------|-------|--------|--------------------------|--------------|--|---------------|-----|----------------|--|--|--------|
| © AND DESIGN RIGHT Bis Wells LTD. ALL RIGHTS RESERVED. WITHOUT THE PRIOR WRITTEN PERMISSION OF Bis Wells Ltd NO PART OF THIS DOCUMENT MAY BE ALTERED, ADAPTED, PUBLISHED, REPRODUCED OR TRANSMITTED IN ANY FORM OR MEDIUM. | | | | | | UNLESS OTHERWISE SPECIFIED DIMENSIONS ARE IN INCHES 1. LINEAR TOLERANCES : ±0.1" 2. ANGULAR TOLERANCES : ±2° | | | | | | |
| DRAWN | N.DANIEL | SHEET | 1 OF 1 | 3RD ANGLE PROJECTION | DRAWING SIZE | A2 | DRAWING SCALE | 3:1 | DRAWING NUMBER | | | DS0035 |
| DATE | 17/03/20 | ISSUE | 1 | | | | | | | | | |