

DATASHEET

NON RETURN VALVE (NRV): D12

MODEL CODE	
D12 -	1 A 50PM N

MODEL TYPE	
D12	NON RETURN VALVE

MAXIMUM INLET PRESSURE	
1	4,500 Psi (310 Bar)
2	6,500 Psi (450 Bar)

MATERIAL	
A	ALUMINIUM
AB	ALUMINIUM BRONZE
BR	BRASS
SS	STAINLESS STEEL

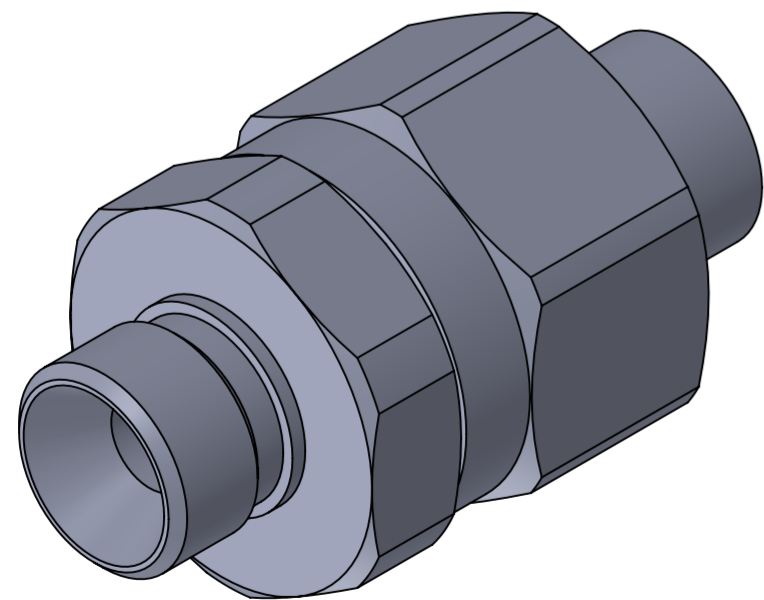
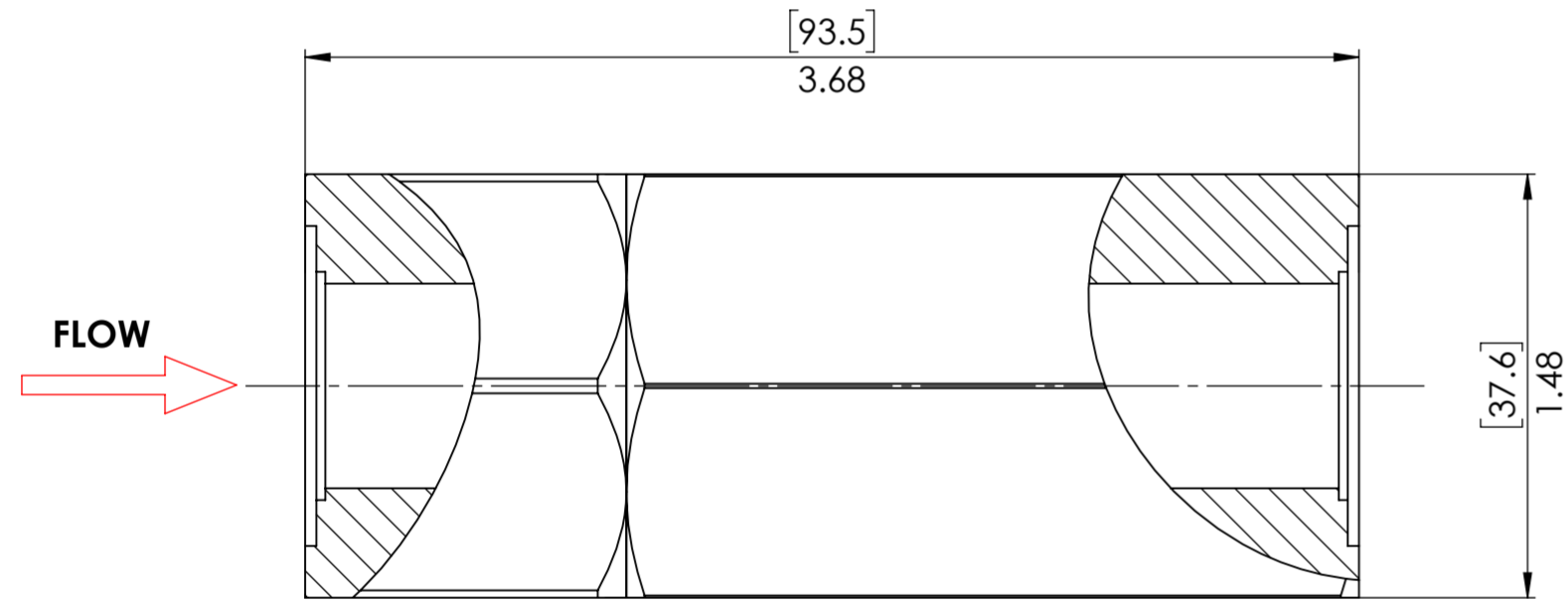
SEAL MATERIAL	
N	NITRILE
V	VITON

PORTS	
50PM	1/2" BSPP MALE CONNECTION
50PF	1/2" BSPP FEMALE CONNECTION

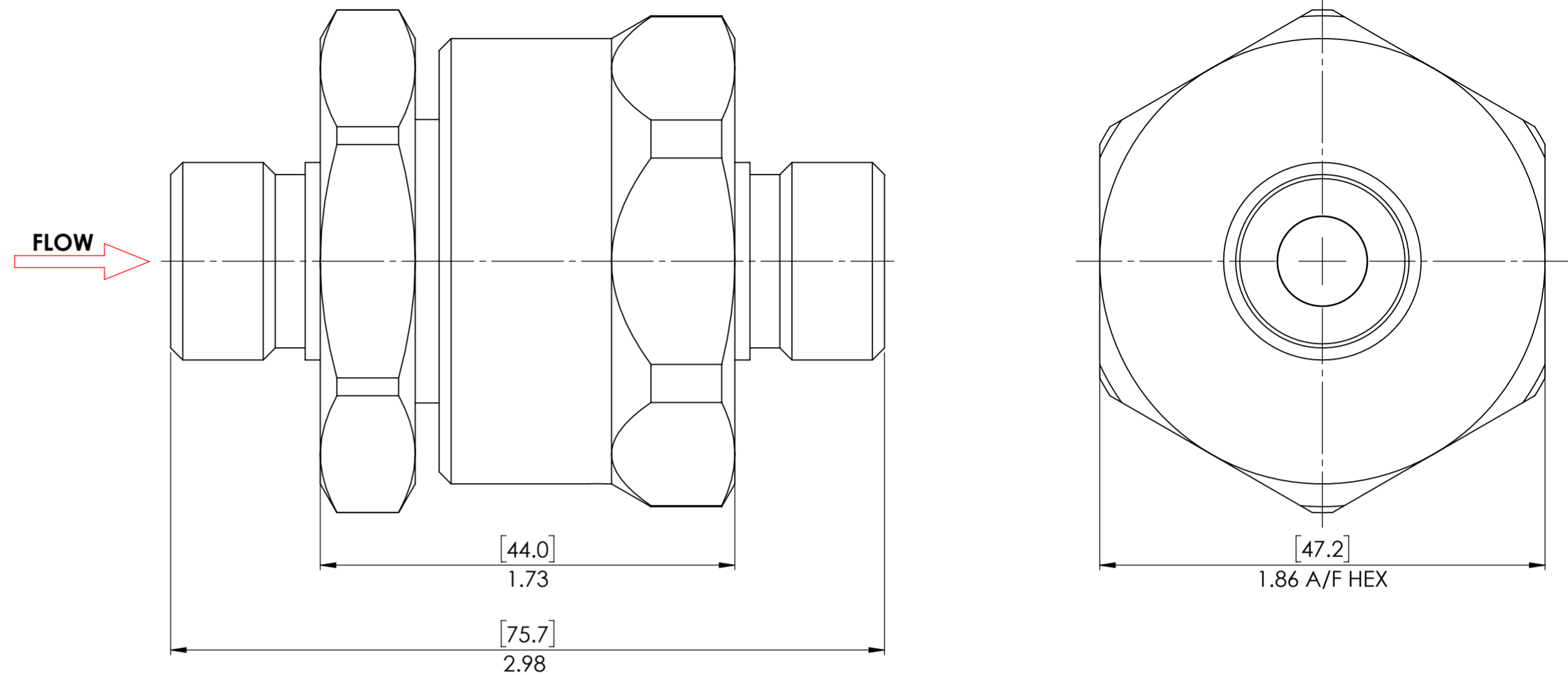
SPECIFICATION

- WEIGHT: 0.25Kg (0.55Lb) MALE - MALE ALUMINIUM ALLOY
- ORIFICE DIAMETER: 9.6mm (0.38")
- OXYGEN SERVICE VERSION AVAILABLE
- SUITABLE FOR BOTH GAS AND LIQUID

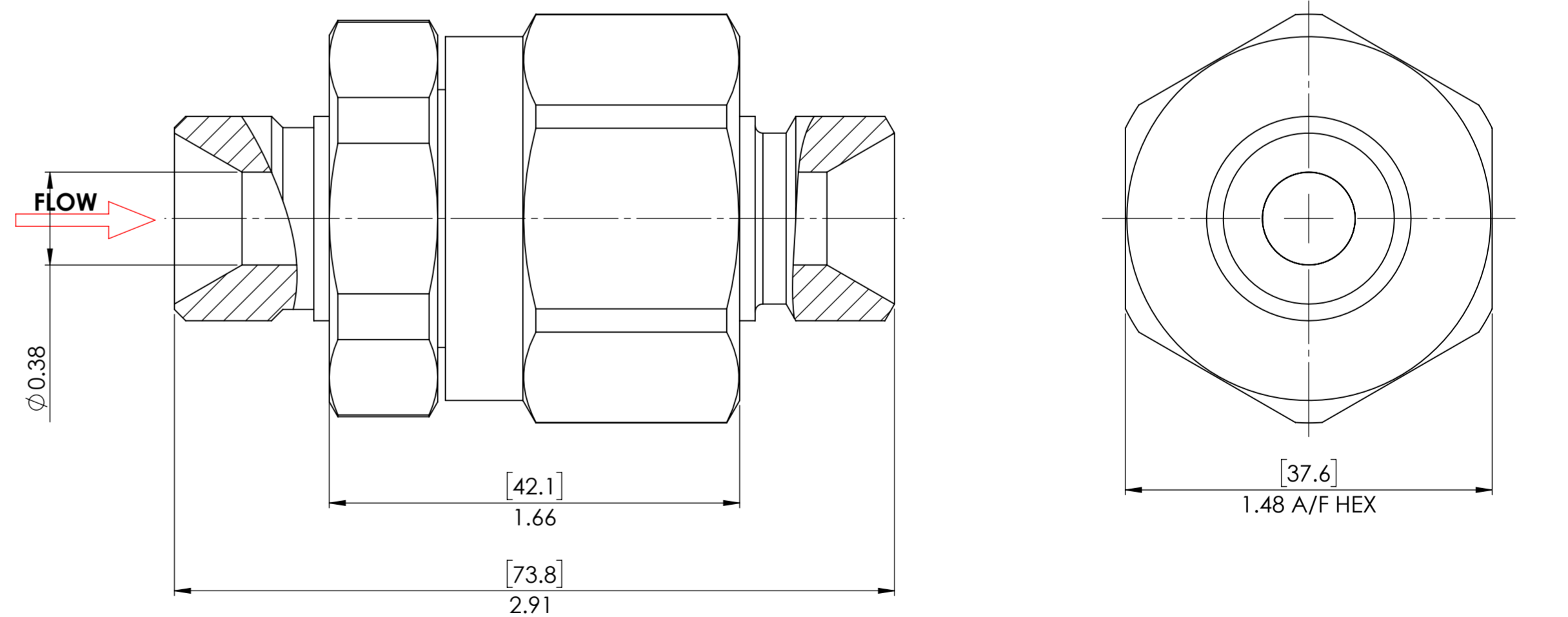
D12 WITH FEMALE TO FEMALE CONNECTION 4,500 Psi (310 Bar)



D12 NRV - 6,500 Psi (450 Bar)



D12 NRV - 4,500 Psi (310 Bar)



© AND DESIGN RIGHT Bis Wells LTD. ALL RIGHTS RESERVED. WITHOUT THE PRIOR WRITTEN PERMISSION OF Bis Wells Ltd NO PART OF THIS DOCUMENT MAY BE ALTERED, ADAPTED, PUBLISHED, REPRODUCED OR TRANSMITTED IN ANY FORM OR MEDIUM.				UNLESS OTHERWISE SPECIFIED DIMENSIONS ARE IN INCHES 1. LINEAR TOLERANCES : ±0.1" 2. ANGULAR TOLERANCES : ± 2°						
DRAWN	J.PHELAN	SHEET	1 OF 1	 3RD ANGLE PROJECTION	DRAWING SIZE	A2	DRAWING SCALE	2:1	DRAWING NUMBER	DS0048
DATE	30/03/2020	ISSUE	1							