

DATASHEET

RELIEF VALVE & BACK PRESSURE MAINTAINING VALVE: C20

MODEL CODE					
C20	1	1	BR	50P	N

MODEL TYPE	
C20	RELIEF VALVE

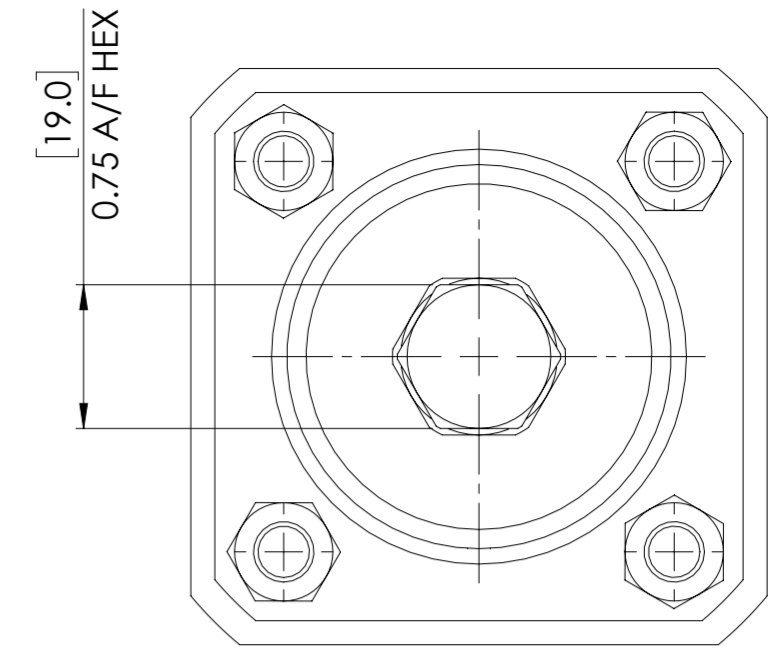
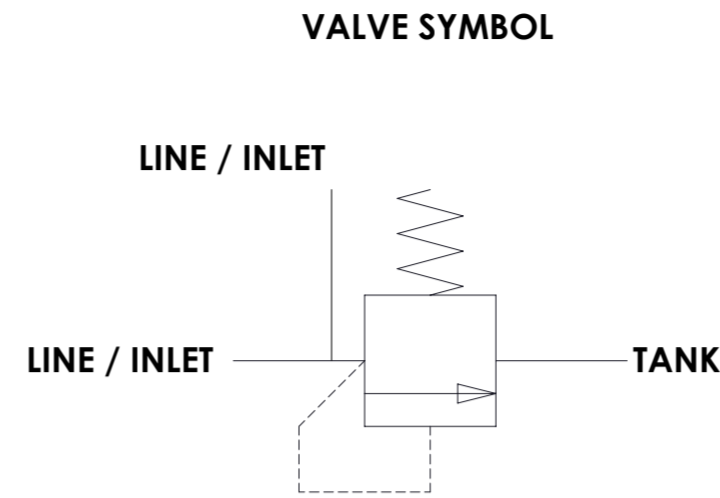
MAXIMUM INLET PRESSURE	
1	500 Psi (34 Bar)

SET PRESSURE RANGE	
1	100 ~ 250 Psi (7 ~ 17 Bar)
2	250 ~ 500 Psi (17 ~ 34 Bar)
3	5 ~ 30 Psi (0.35 ~ 2 Bar)
4	30 ~ 100 Psi (0.35 ~ 7 Bar)

SEAL AND SEAT MATERIAL	
N	NITRILE
V	VITON

PORTS	
37N	3/8" BSPP
37P	3/8" NPT
50P	1/2" BSPP
50N	1/2" NPT

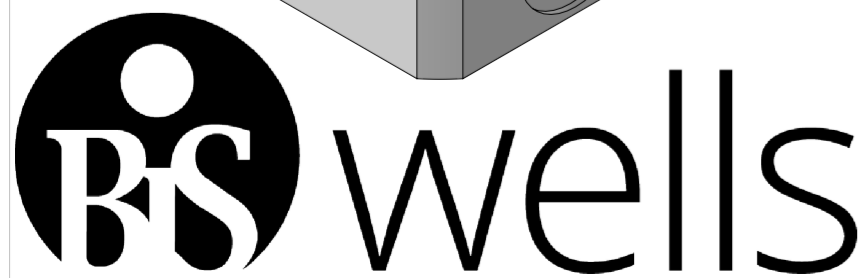
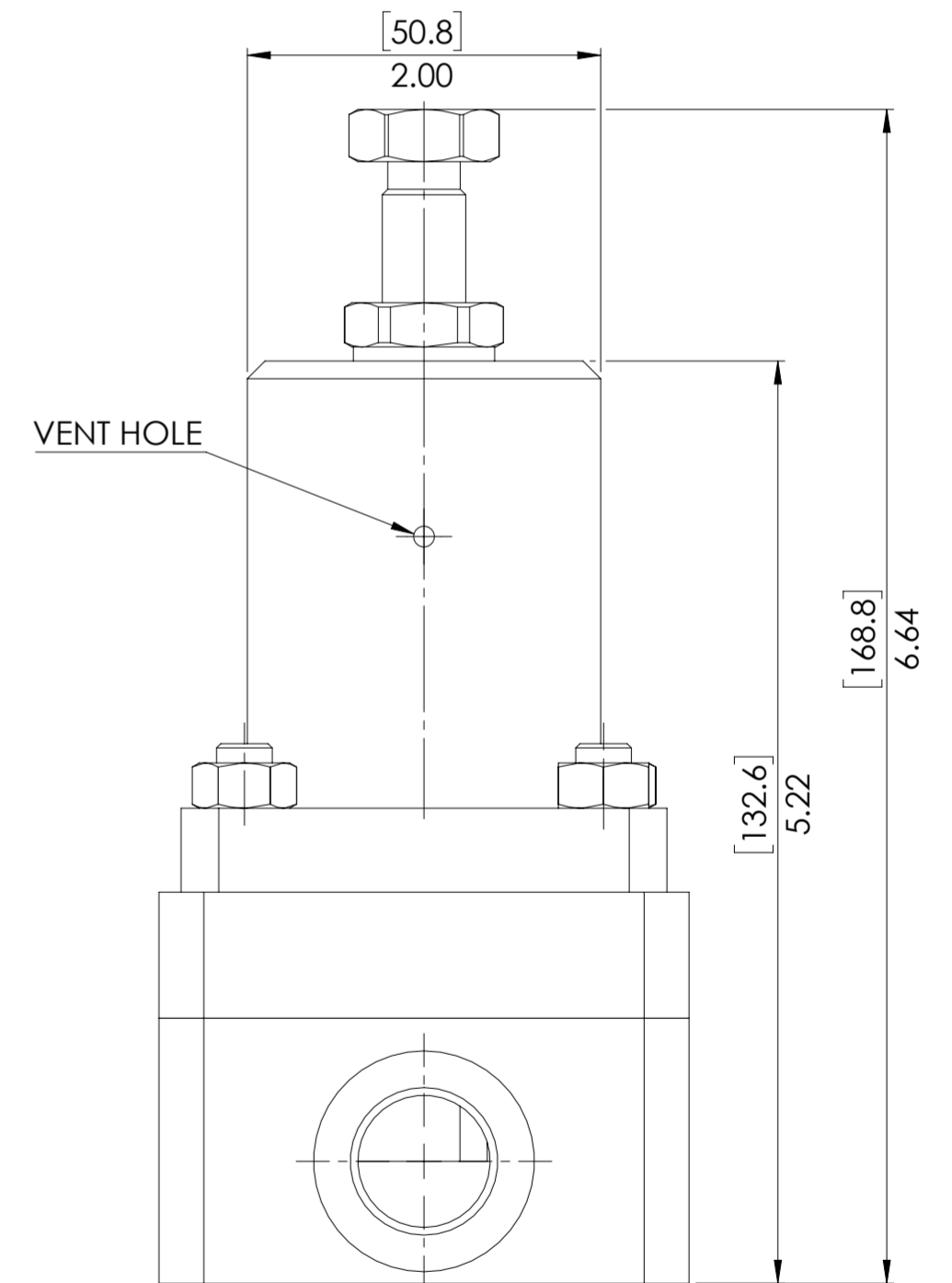
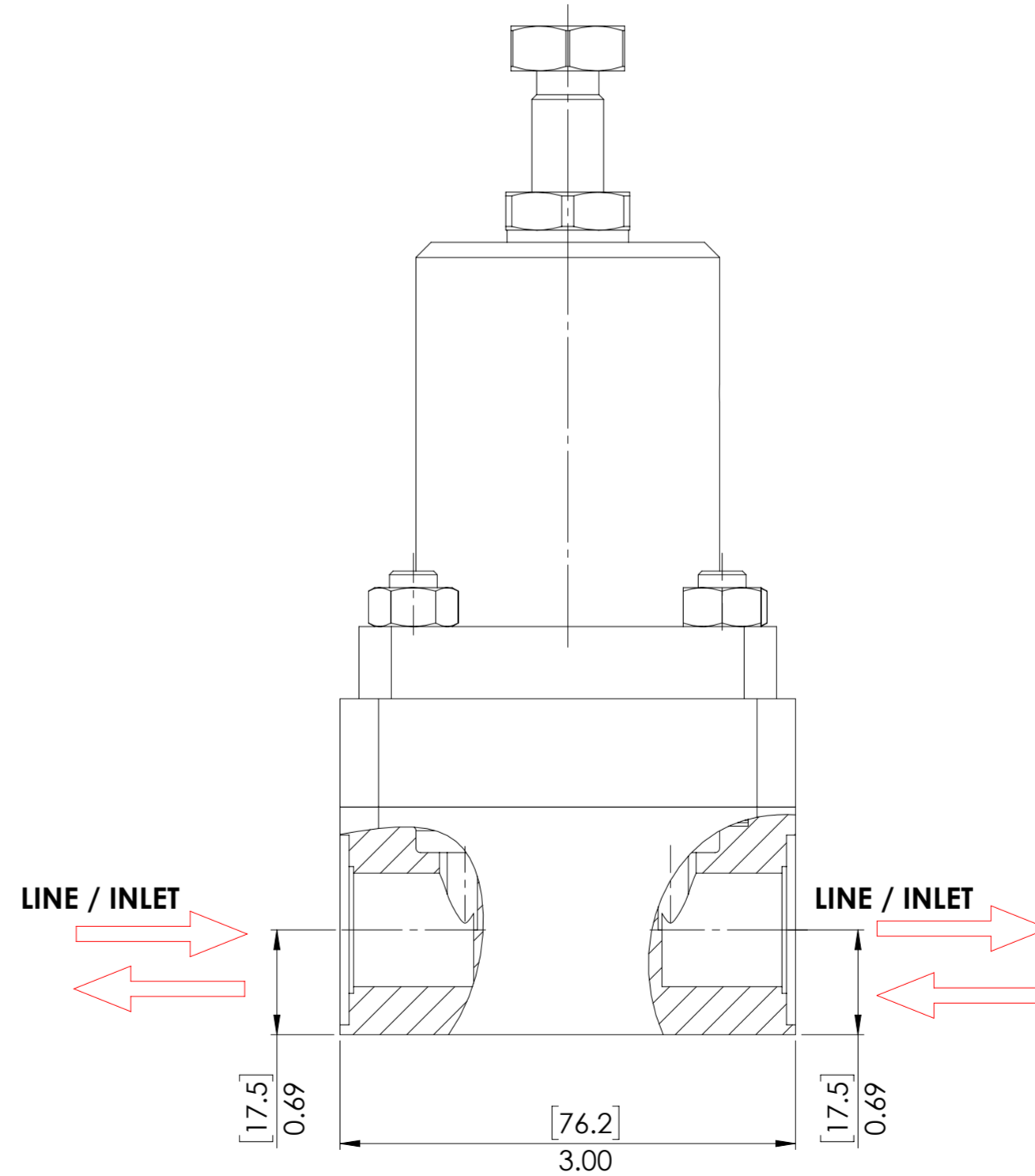
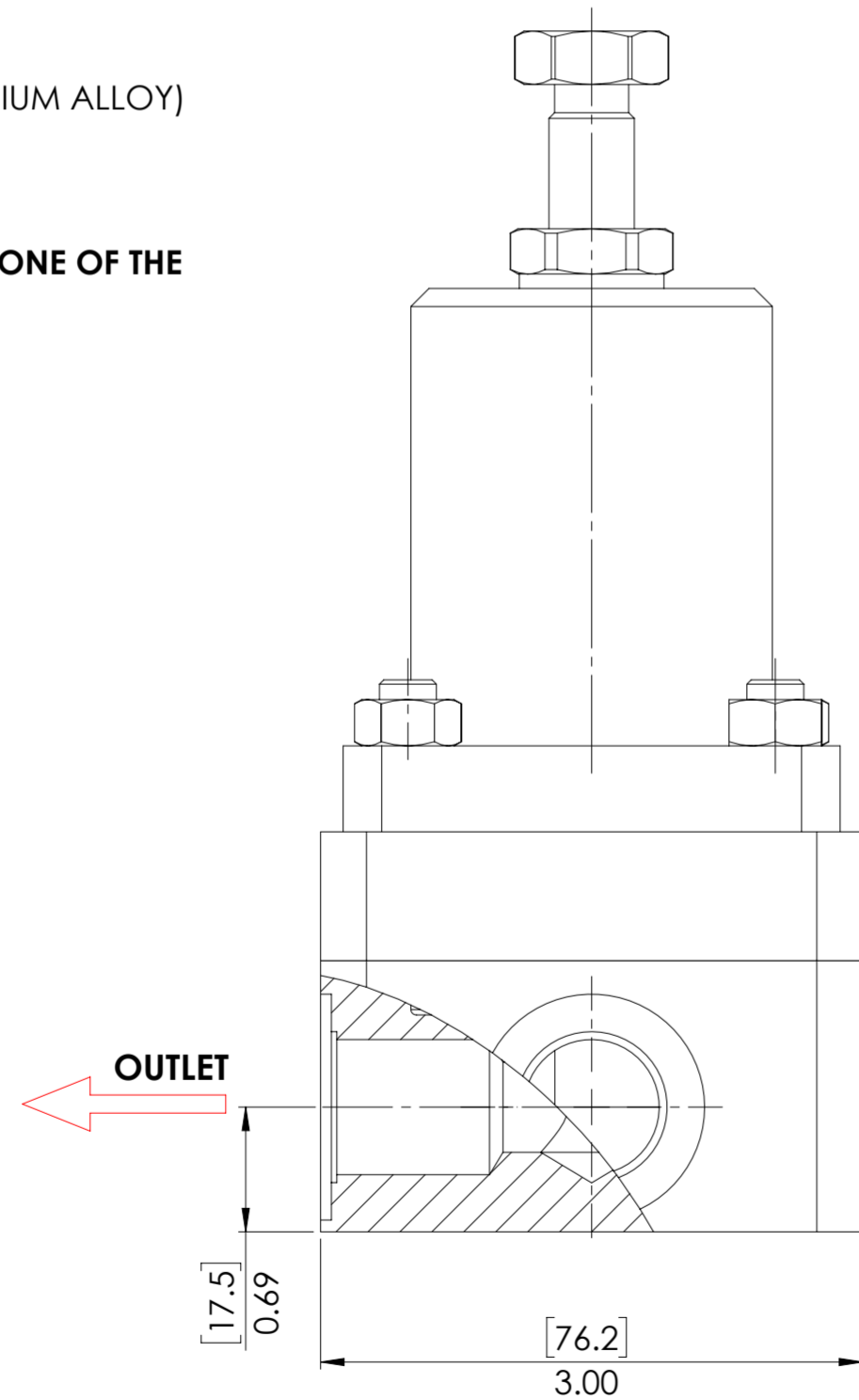
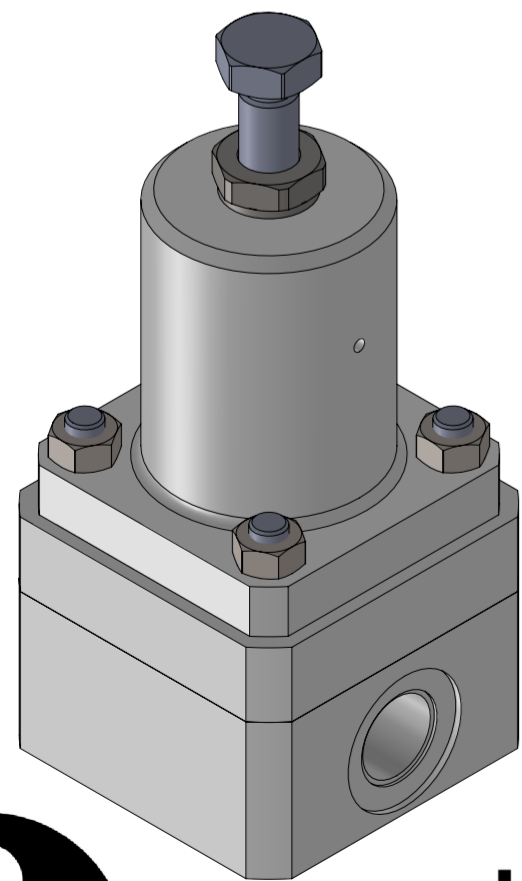
MATERIAL	
A	ALUMINIUM
AB	ALUMINIUM BRONZE
BR	BRASS
SS	STAINLESS STEEL



SPECIFICATION

- ORIFICE: 6.4mm (0.25")
- MEDIUM: - GAS AND LIQUID
- DRY WEIGHT: 1.3 Kg (2.9 Lb) (ALUMINIUM ALLOY)
- OXYGEN SERVICE AVAILABLE

NOTE: - IF FLOW IS NOT REQUIRED, EITHER ONE OF THE LINE / INLET PORTS CAN BE BLANKED OFF.



© AND DESIGN RIGHT Bis Wells LTD. ALL RIGHTS RESERVED. WITHOUT THE PRIOR WRITTEN PERMISSION OF Bis Wells Ltd NO PART OF THIS DOCUMENT MAY BE ALTERED, ADAPTED, PUBLISHED, REPRODUCED OR TRANSMITTED IN ANY FORM OR MEDIUM.						UNLESS OTHERWISE SPECIFIED DIMENSIONS ARE IN INCHES 1. LINEAR TOLERANCES : ±0.1" 2. ANGULAR TOLERANCES : ±2°				
DRAWN	N.DANIEL	SHEET	1 OF 1	 3RD ANGLE PROJECTION	DRAWING SIZE	A2	DRAWING SCALE	2:3	DRAWING NUMBER	DS0050
DATE	24/03/20	ISSUE	2							