

DATASHEET

RELIEF VALVE & BACK PRESSURE MAINTAINING VALVE: C2

MODEL CODE					
C2	1	1	BR	50P	N

MODEL TYPE	
C2	RELIEF VALVE

MAXIMUM INLET PRESSURE	
1	500 Psi (34 Bar)

SET PRESSURE RANGE	
1	10 ~ 150 Psi (0 ~ 10 Bar)
2	150 ~ 500 (10 ~ 34 Bar)

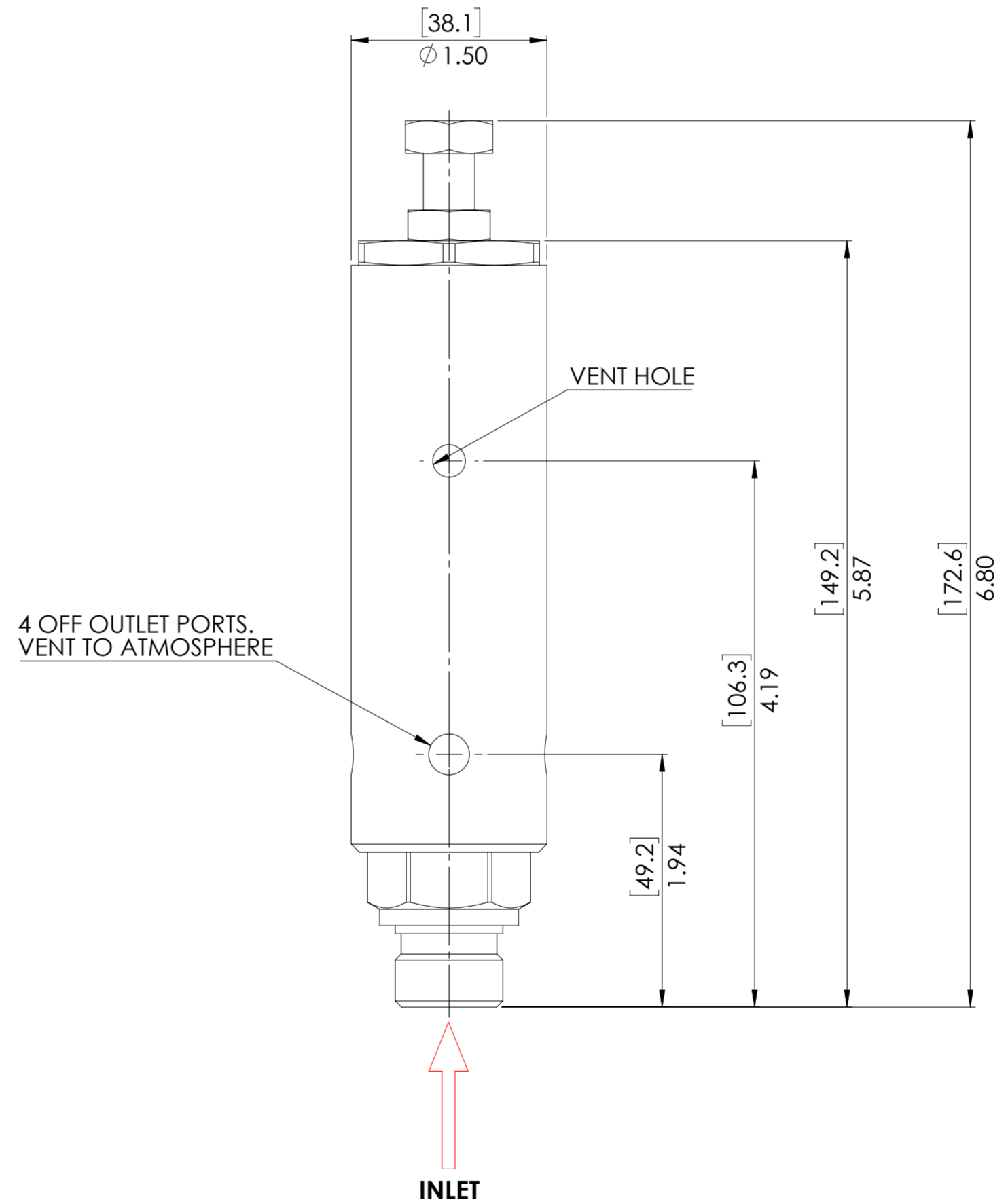
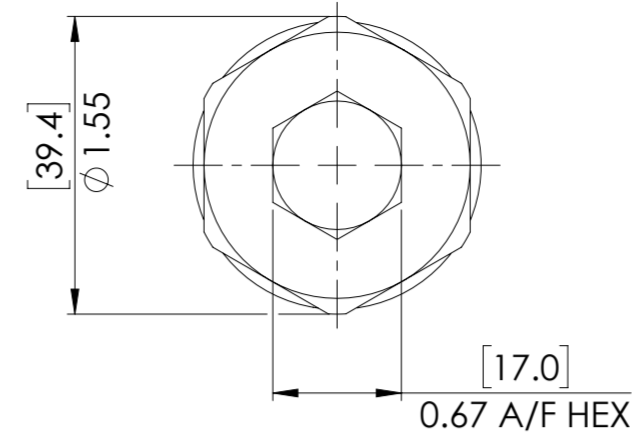
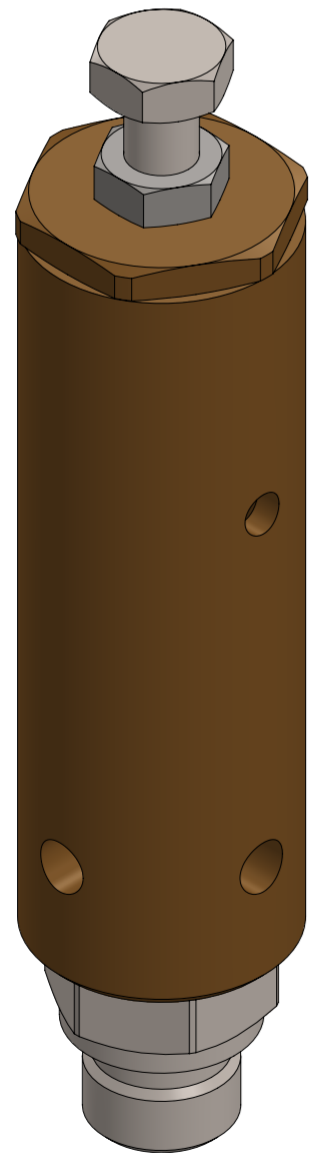
SEAL AND SEAT MATERIAL	
N	NITRILE
V	VITON

PORTS	
37N	3/8" BSPP
37P	3/8" NPT
50P	1/2" BSPP
50N	1/2" NPT

MATERIAL	
A	ALUMINIUM
AB	ALUMINIUM BRONZE
BR	BRASS
SS	STAINLESS STEEL

SPECIFICATION

- ORIFICE: 11.2mm (0.44")
- MEDIUM: GAS
- DRY WEIGHT: 0.5 Kg (1.1 Lb)(ALUMINIUM ALLOY)
- OXYGEN SERVICE AVAILABLE



© AND DESIGN RIGHT Bis Wells LTD. ALL RIGHTS RESERVED. WITHOUT THE PRIOR WRITTEN PERMISSION OF Bis Wells Ltd NO PART OF THIS DOCUMENT MAY BE ALTERED, ADAPTED, PUBLISHED, REPRODUCED OR TRANSMITTED IN ANY FORM OR MEDIUM.					UNLESS OTHERWISE SPECIFIED DIMENSIONS ARE IN INCHES 1. LINEAR TOLERANCES : ±0.1" 2. ANGULAR TOLERANCES : ±2°					
DRAWN	N.DANIEL	SHEET	1 OF 1	3RD ANGLE PROJECTION	DRAWING SIZE	A2	DRAWING SCALE	1:1	DRAWING NUMBER	DS0051
DATE	24/03/20	ISSUE	1							