

DATASHEET

FILTER VALVE ATTACHMENT: F2

MODEL CODE					
F2 -	1	25M	A	50P	N

MODEL TYPE	F2 - INLINE STYLE FILTER
------------	--------------------------

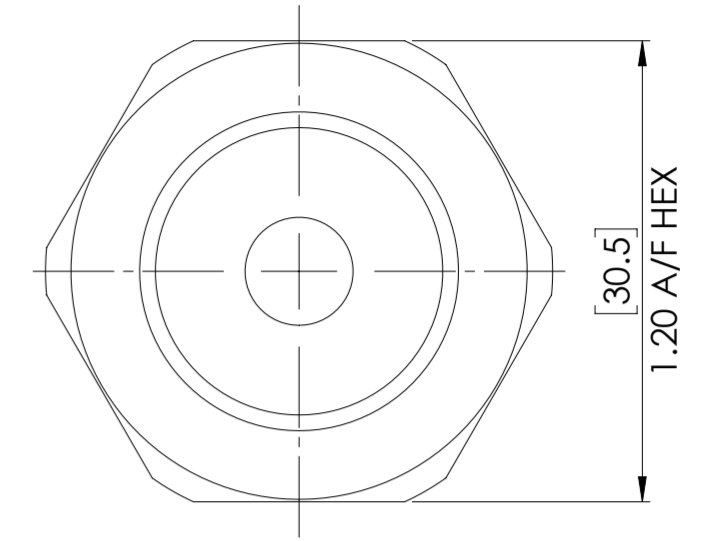
MAXIMUM WORKING PRESSURE	1 6,000 Psi (415 Bar)
--------------------------	-----------------------

FILTRATION	25M 25 MICRON
OTHER MICRON RATINGS AVAILABLE	

SEAL MATERIAL	
N	NITRILE
V	VITON
OTHER MATERIALS AVAILABLE ON REQUEST	

PORTS	
50P	1/2" BSPP
50N	1/2" NPT

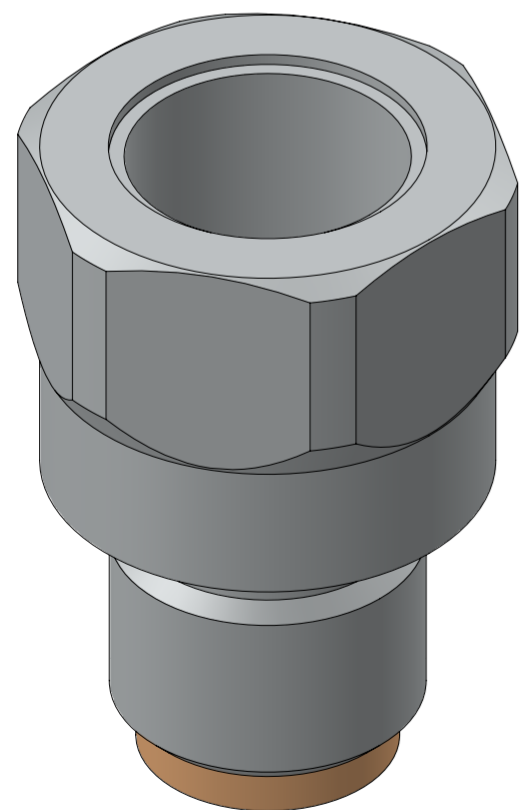
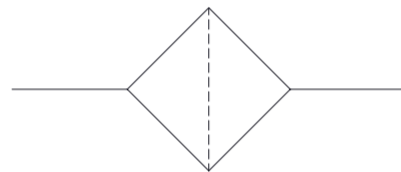
MATERIAL	
A	ALUMINIUM
AB	ALUMINIUM BRONZE
BR	BRASS
SS	STAINLESS STEEL



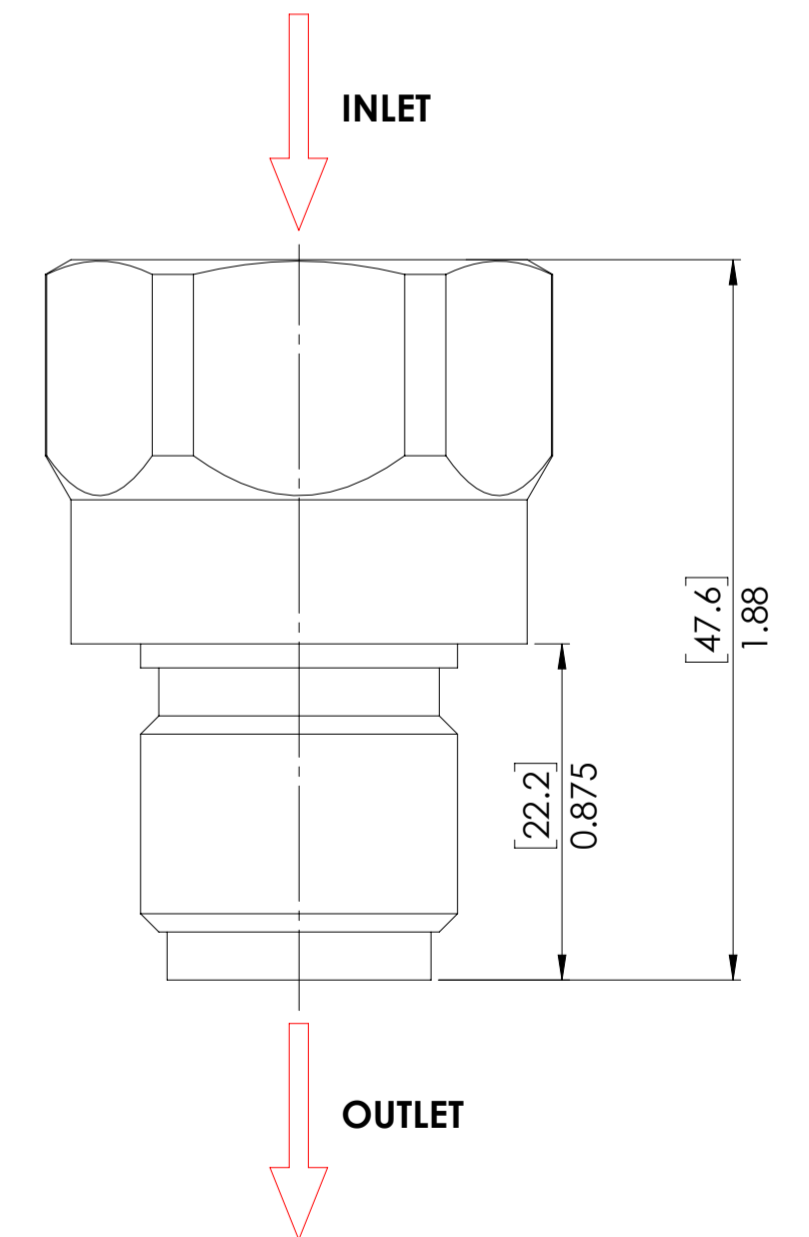
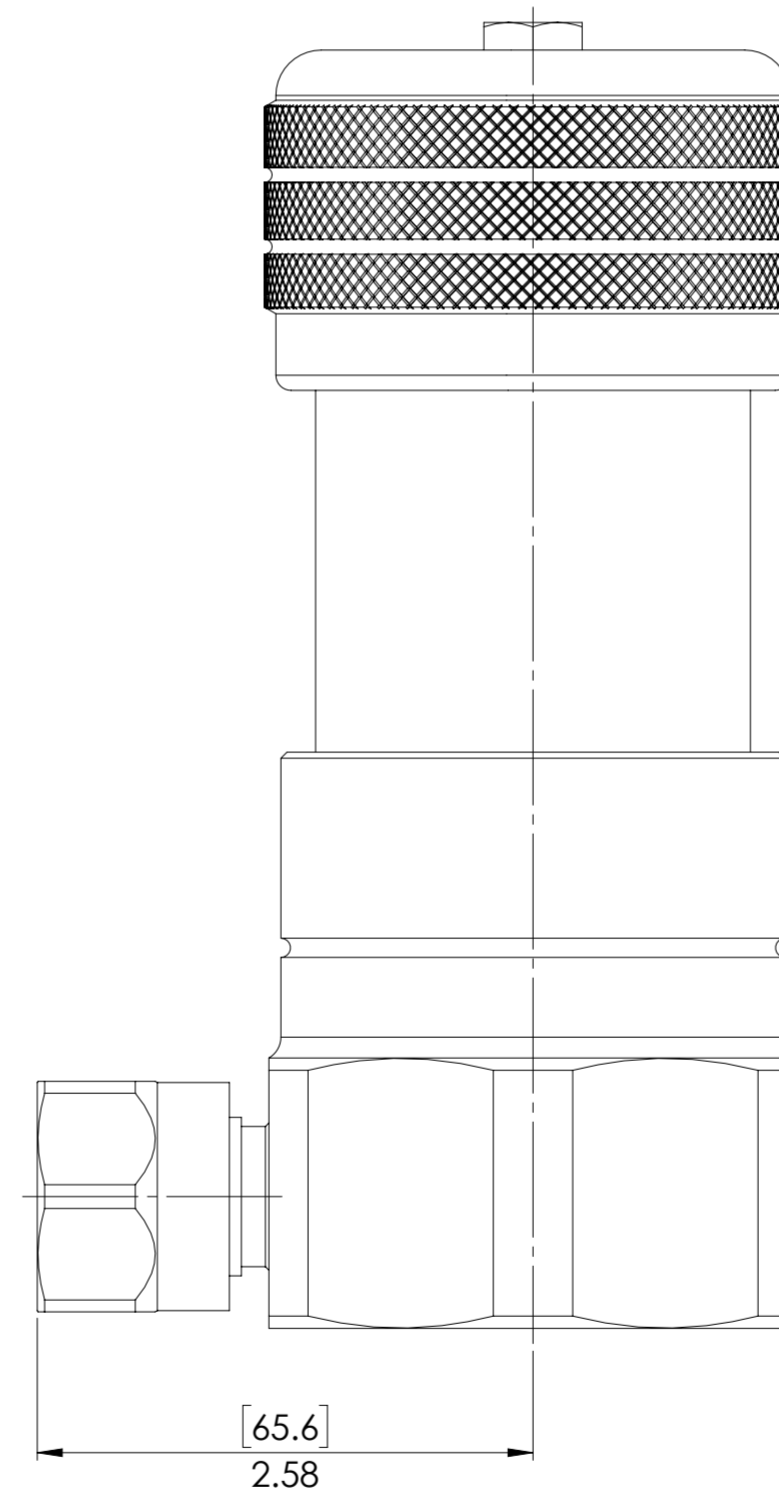
SPECIFICATION

- MEDIUM: GAS AND LIQUIDS
- DRY WEIGHT: 0.1 kg (0.22 lb) (ALUMINIUM)

FILTER SYMBOL



F2 FILTER FITTED WITH PRESSURE REGULATOR (A10)



© AND DESIGN RIGHT BIS Wells LTD. ALL RIGHTS RESERVED. WITHOUT THE PRIOR WRITTEN PERMISSION OF BIS Wells Ltd NO PART OF THIS DOCUMENT MAY BE ALTERED, ADAPTED, PUBLISHED, REPRODUCED OR TRANSMITTED IN ANY FORM OR MEDIUM.				UNLESS OTHERWISE SPECIFIED DIMENSIONS ARE IN INCHES 1. LINEAR TOLERANCES : ±0.1" 2. ANGULAR TOLERANCES : ±2°						
DRAWN	N.DANIEL	SHEET	1 OF 1	 3RD ANGLE PROJECTION	DRAWING SIZE	A2	DRAWING SCALE	2:1	DRAWING NUMBER	DS0055
DATE	06/04/20	ISSUE	1							