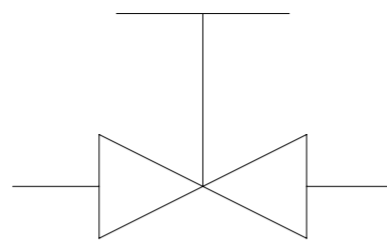


DATASHEET

STOP AND FLOW CONTROL VALVES: B23 SERIES

CIRCUIT SYMBOL



MODEL CODE					
B23-	1	A	200P	N	NY

MODEL TYPE	
B23	STOP AND FLOW CONTROL VALVE

MAXIMUM INLET PRESSURE	
1	1,000 Psi (70 Bar)

MATERIAL	
A	ALUMINIUM
AB	ALUMINIUM BRONZE
BR	BRASS
SS	STAINLESS STEEL

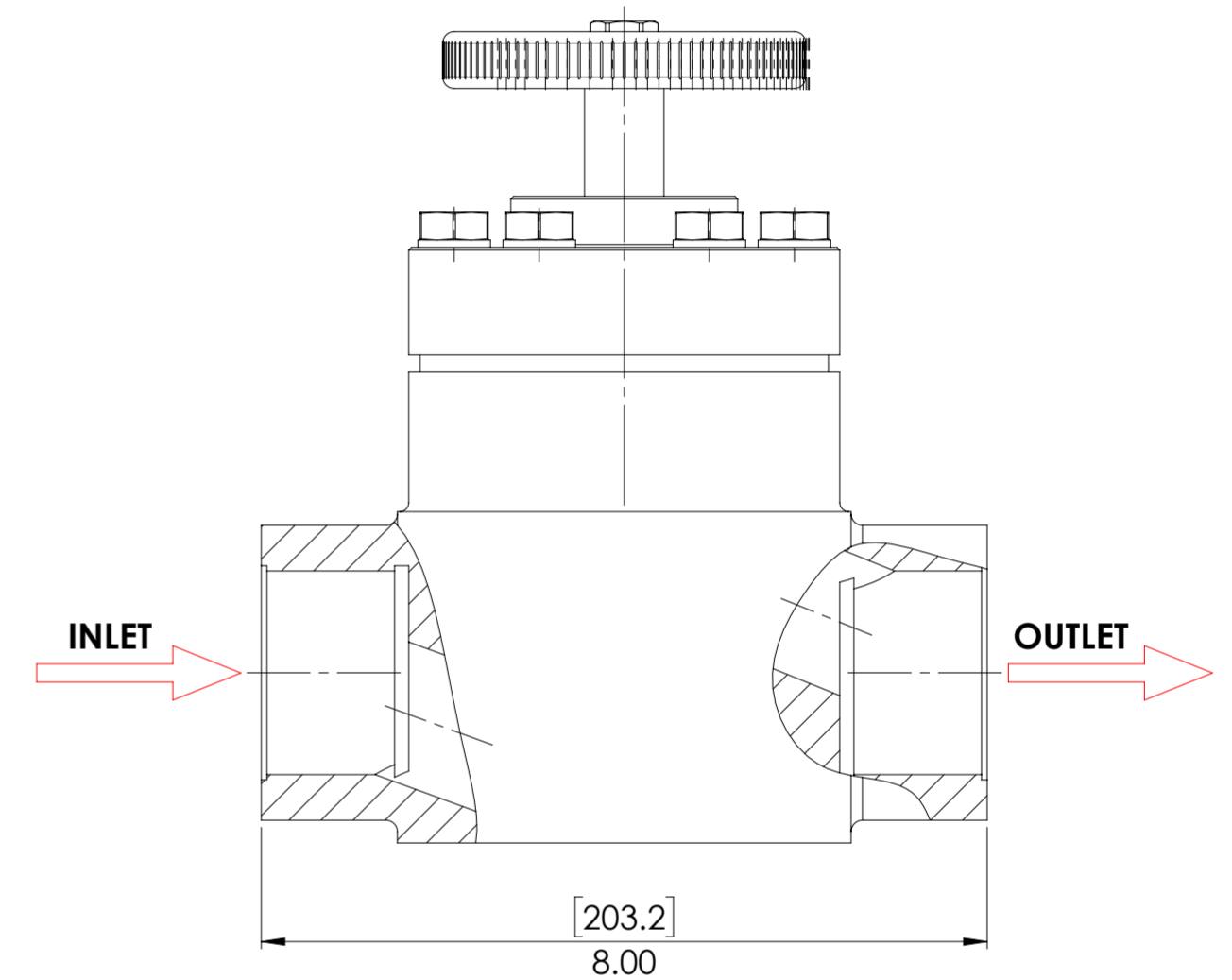
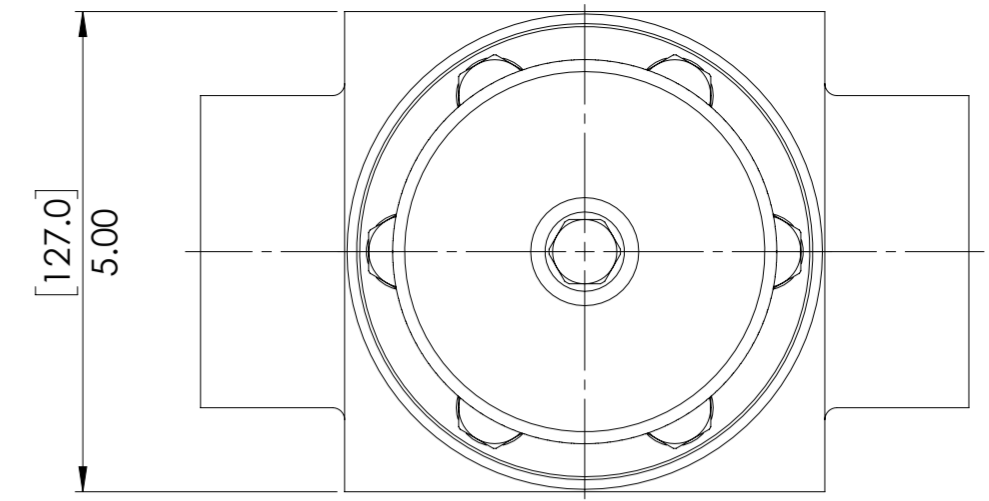
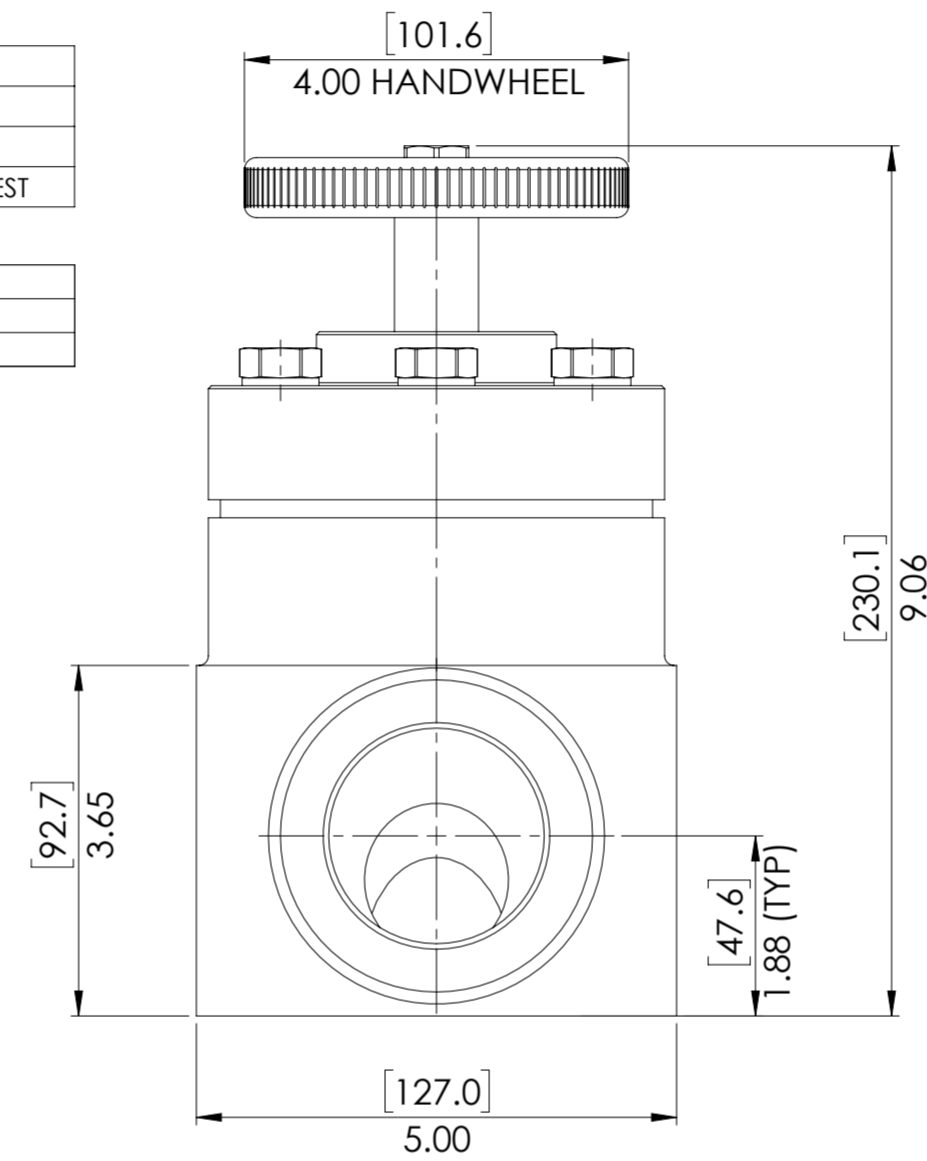
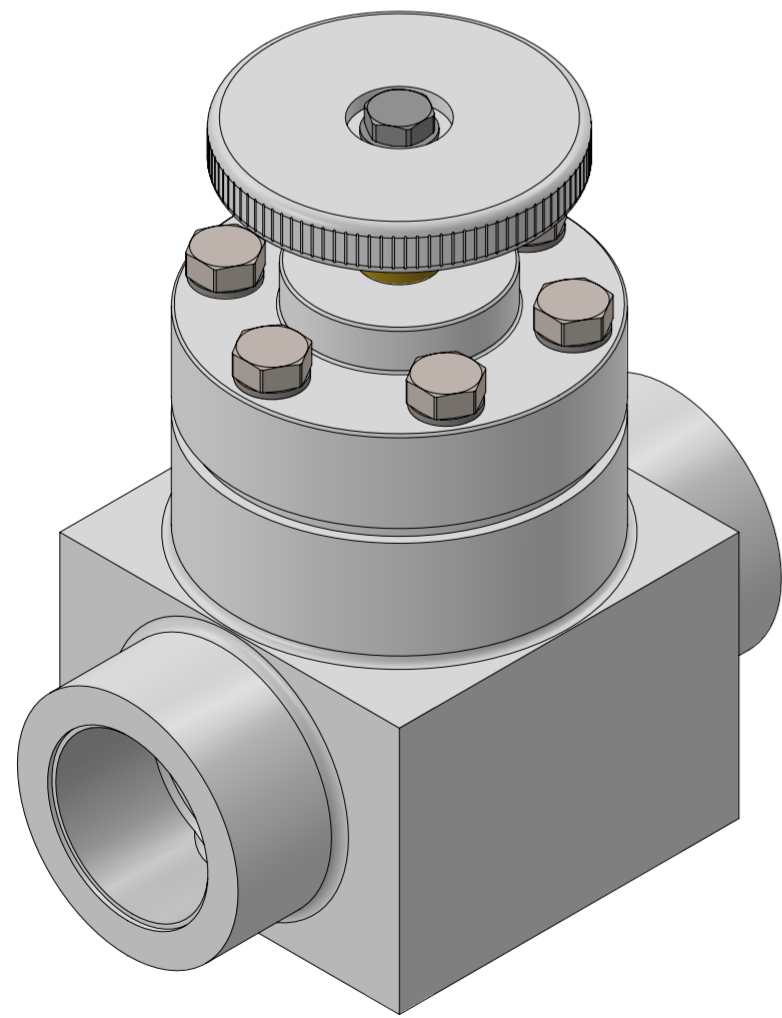
SEAT MATERIAL	
NY	POLYMER
PT	PTFE
OTHER MATERIALS AVAILABLE ON REQUEST	

SEAL MATERIAL	
N	NITRILE
V	VITON
OTHER MATERIALS AVAILABLE ON REQUEST	

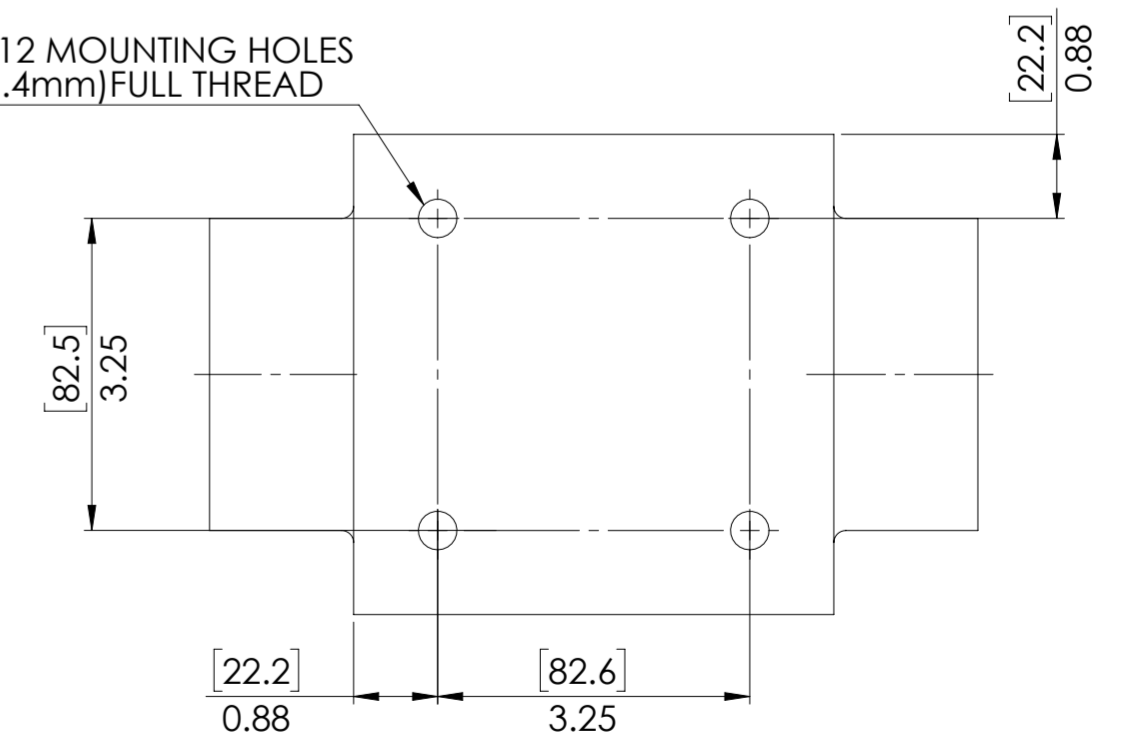
PORTS	
200P	2 BSPP
200N	2 NPT

SPECIFICATIONS

- WEIGHT: 8.9Kg (19.6lb) ALUMINIUM ALLOY
- ORIFICE DIAMETER: 38.1mm (1-1/2")
- OXYGEN SERVICE VERSION AVAILABLE
- SUITABLE FOR BOTH GAS AND LIQUID



4 OFF M12 MOUNTING HOLES
1.00" (25.4mm) FULL THREAD



© AND DESIGN RIGHT Bis Wells LTD. ALL RIGHTS RESERVED. WITHOUT THE PRIOR WRITTEN PERMISSION OF Bis Wells Ltd NO PART OF THIS DOCUMENT MAY BE ALTERED, ADAPTED, PUBLISHED, REPRODUCED OR TRANSMITTED IN ANY FORM OR MEDIUM.				UNLESS OTHERWISE SPECIFIED DIMENSIONS ARE IN INCHES 1. LINEAR TOLERANCES : ±0.1" 2. ANGULAR TOLERANCES : ±2°					
DRAWN	N.DANIEL	SHEET	1 OF 1	 3RD ANGLE PROJECTION	DRAWING SIZE	A2	DRAWING SCALE	1:2	DRAWING NUMBER DS0058
DATE	16/04/20	ISSUE	1						