

DATASHEET

DIRECTIONAL CONTROL VALVE (DCV): K65

MODEL CODE					
K65 -	1	1	AA	50P	N

MODEL TYPE	
K65 -	5 PORT 2 POSITION BALANCED DCV

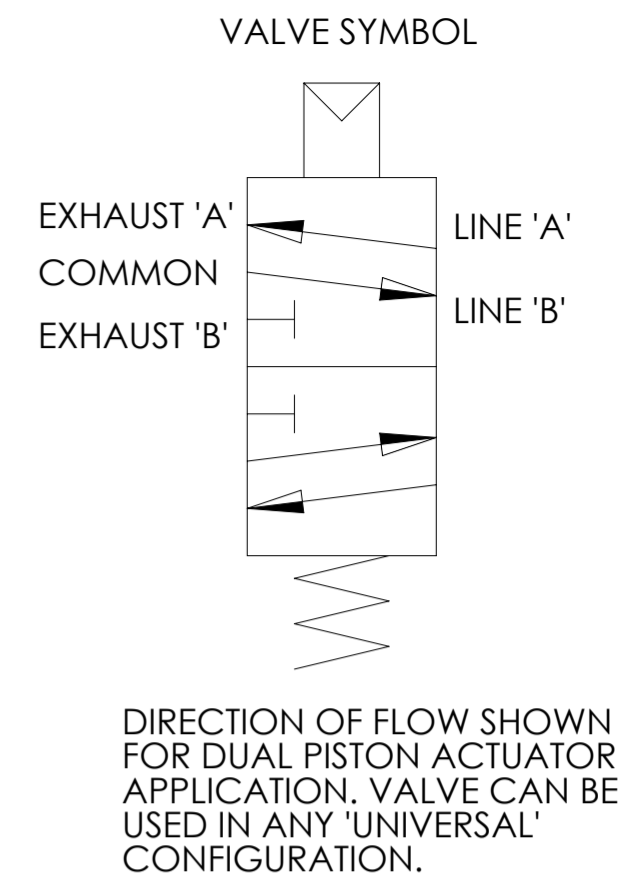
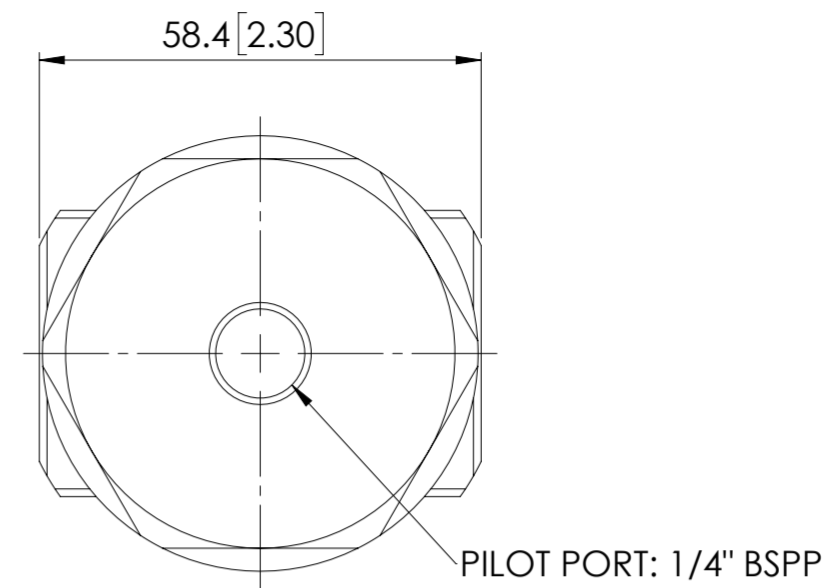
MAXIMUM INLET PRESSURE	
1	20 Bar (290 Psi)
2	50 Bar (725 Psi)

PILOT PRESSURE RANGE	
1	60 ~ 120 Psi (4 ~ 8 Bar)

MATERIAL	
AA	ALUMINIUM ALLOY
SS	STAINLESS STEEL
AB	ALUMINIUM BRONZE
BR	BRASS

SEAT AND SEAL MATERIAL	
N	NITRILE
V	VITON
LN	LOW TEMPERATURE NITRILE
OTHER MATERIALS AVAILABLE ON REQUEST	

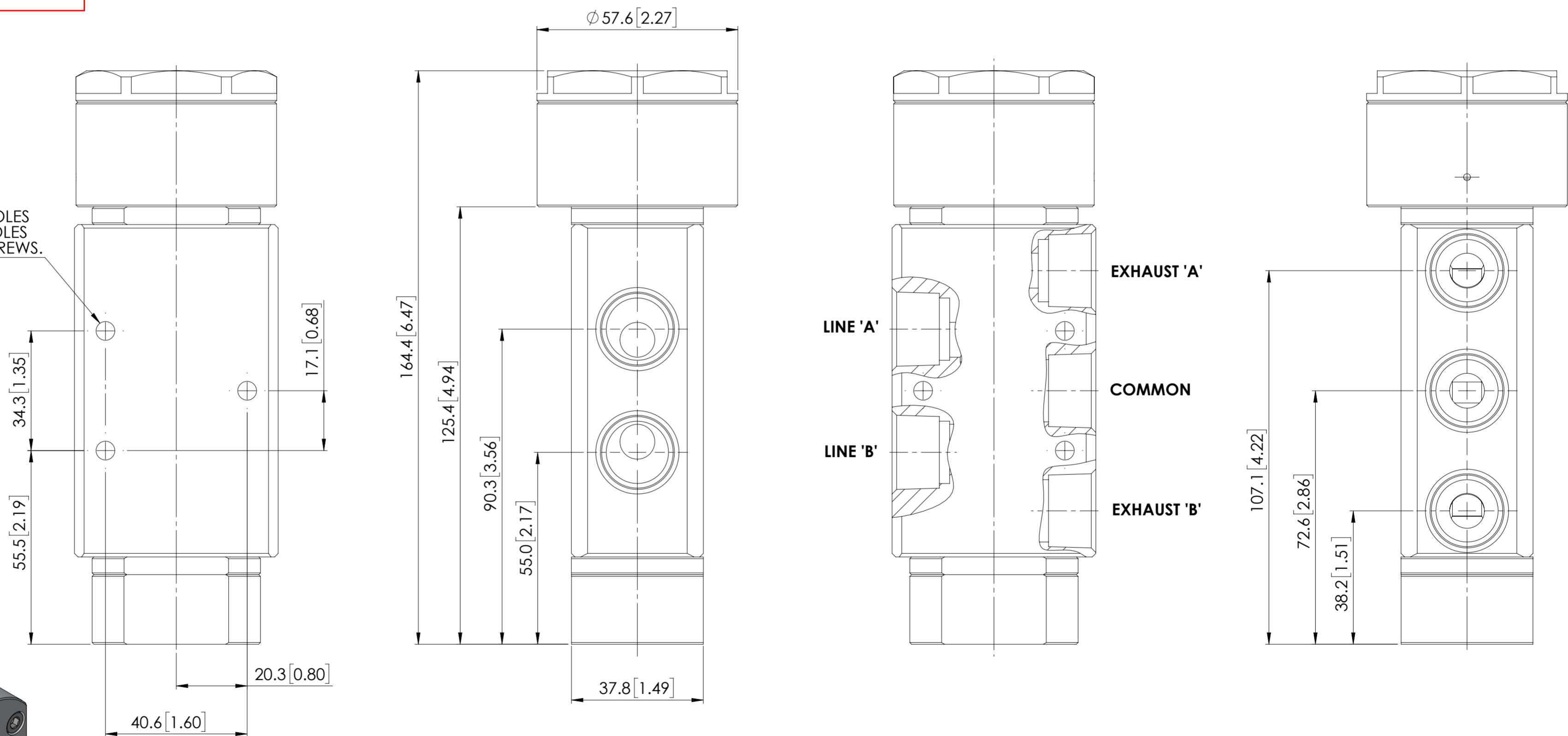
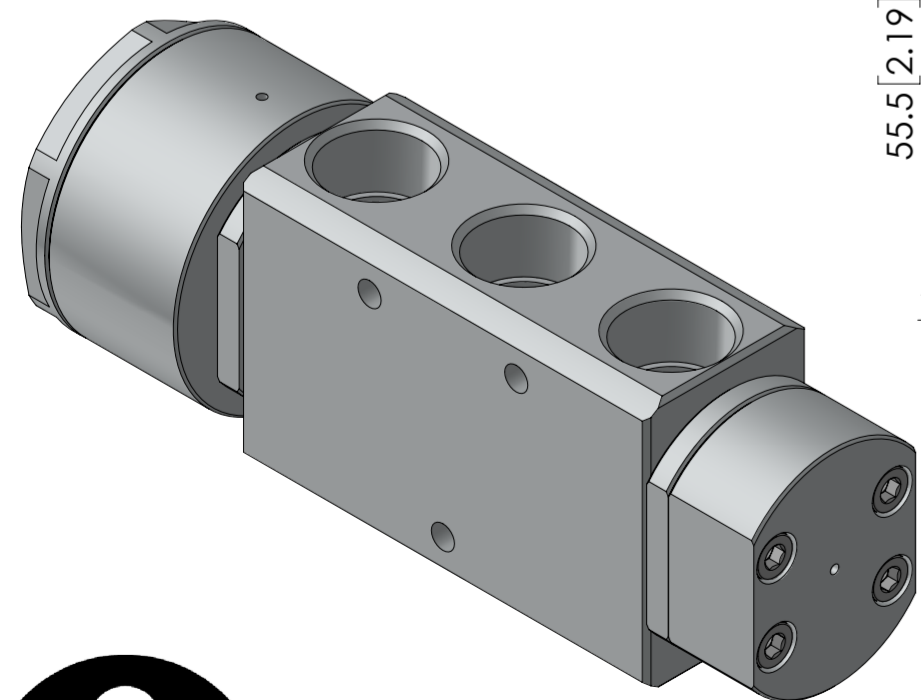
PORTING	
37P	3/8" BSPP
37N	3/8" NPT
50P	1/2" BSPP
50N	1/2" NPT



SPECIFICATION

- Cv:1.2
- MEDIUM: GAS AND LIQUID
- PILOT MEDIUM: GAS AND LIQUID
- DRY WEIGHT: 1.05 kg (2.3 lb)
(ALUMINIUM ALLOY)

MOUNTING HOLES
3 OFF THRU HOLES
TO SUIT M5 SCREWS.



© AND DESIGN RIGHT BIS WELLS LTD. ALL RIGHTS RESERVED. WITHOUT THE PRIOR WRITTEN PERMISSION OF BIS WELLS LTD NO PART OF THIS DOCUMENT MAY BE ALTERED, ADAPTED, PUBLISHED, REPRODUCED OR TRANSMITTED IN ANY FORM OR MEDIUM.				UNLESS OTHERWISE SPECIFIED DIMENSIONS ARE IN INCHES 1. LINEAR TOLERANCES : ±0.1" 2. ANGULAR TOLERANCES : ±2°			
DRAWN	J.PHELAN	SHEET	1 OF 1	DRAWING SIZE	A2	DRAWING SCALE	1:2
DATE	05/05/2020	ISSUE	1	3RD ANGLE PROJECTION		DRAWING NUMBER	DS0060