

DATASHEET

BACK PRESSURE MAINTAINING VALVES (BPMV): H15 SERIES

- WEIGHT: H15 - 1.5Kg.
H15SS - 1.7Kg
- ORIFICE DIAMETER: 5.8mm

MODEL CODE						
H15	1	1	SS	37P	N	NY

MODEL TYPE	
H15	STANDARD BODY. 1/4" & 3/8" PORTS
H15SS	WIDE BODY. 1/2" PORTS

INLET PRESSURE	
1	4,500 Psi (310 Bar)
2	6,500 Psi (450 Bar)
3	7,250 Psi (500 Bar)

SET PRESSURE RANGE	
1	2,000 ~ 6,500 Psi (140 ~ 450 Bar)
2	2,000 ~ 3,045 Psi (140 ~ 210 Bar)
3	1,160 ~ 2,175 Psi (80 ~ 150 Bar)
4	140 ~ 1,160 Psi (10 ~ 80 Bar)
5	2,000 ~ 7,250 Psi (140 ~ 500 Bar)

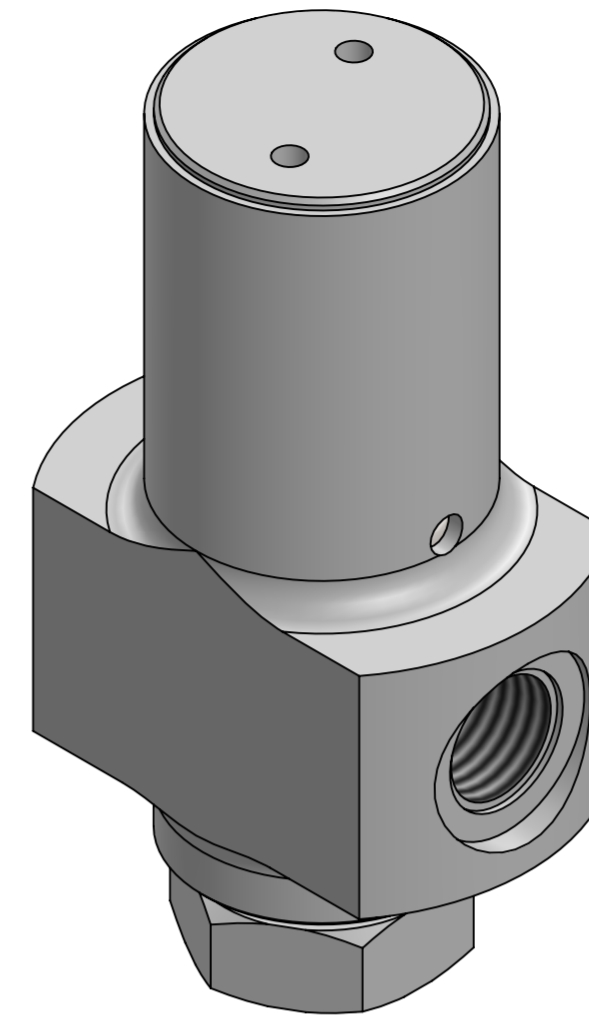
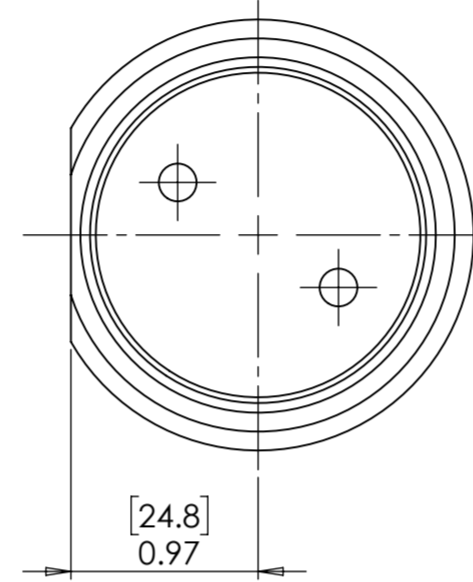
MATERIAL	
A	ALUMINIUM
AB	ALUMINIUM BRONZE
BR	BRASS
SS	STAINLESS STEEL

SEAT MATERIAL	
NY	POLYMER
PT	PTFE

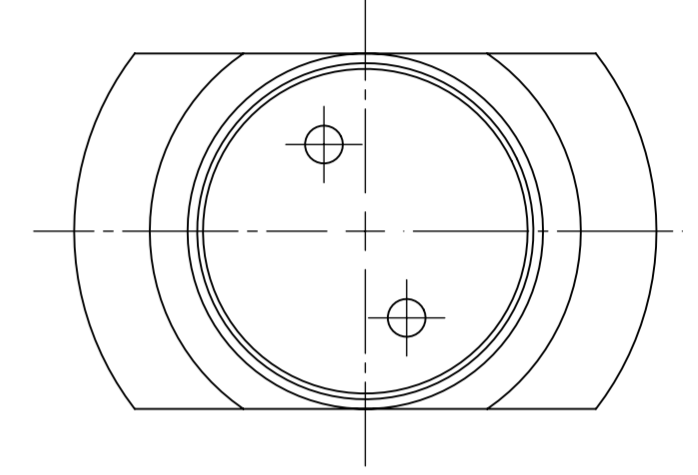
SEAL MATERIAL	
N	NITRILE
V	VITON

PORTS	
25P	1/4 BSPP
25N	1/4 NPT
37P	3/8 BSPP
37N	3/8 NPT
50P	1/2 BSPP
50N	1/2 NPT

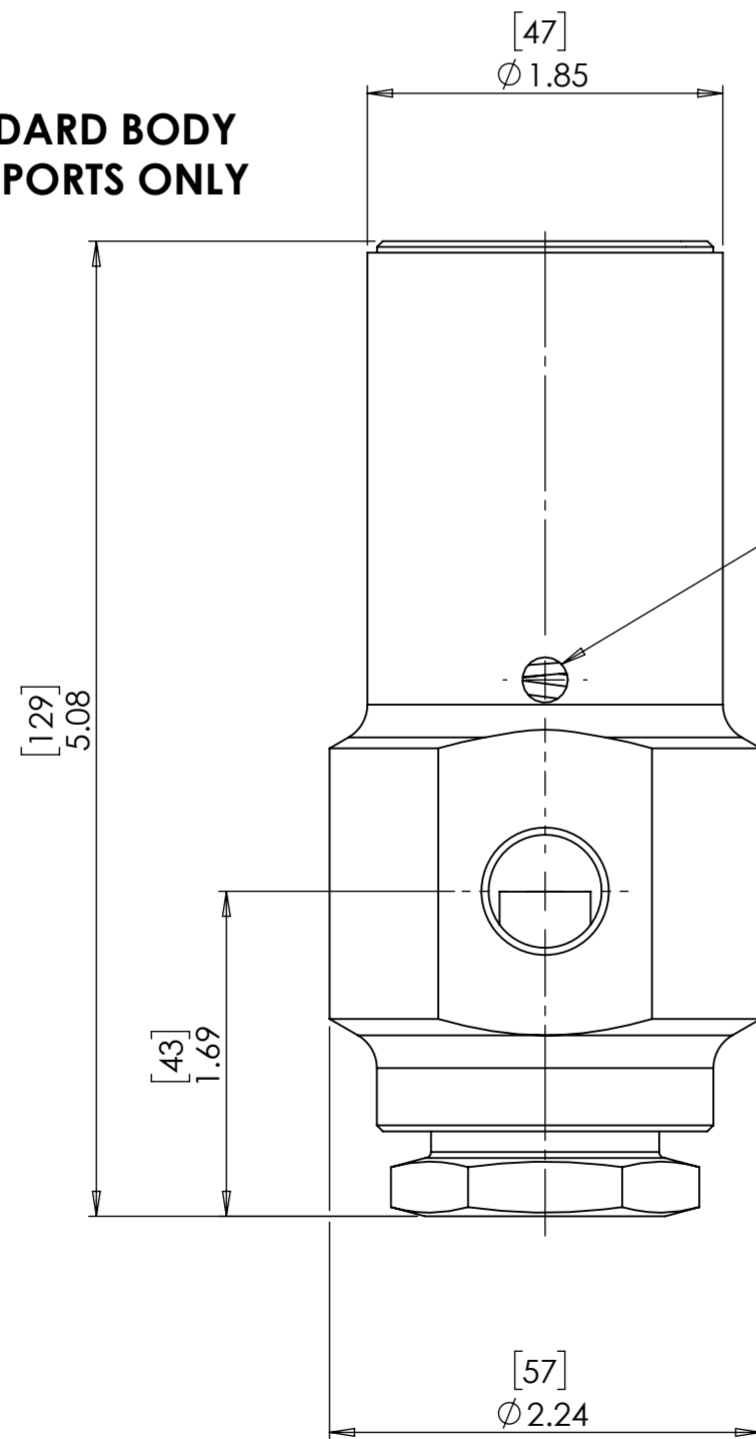
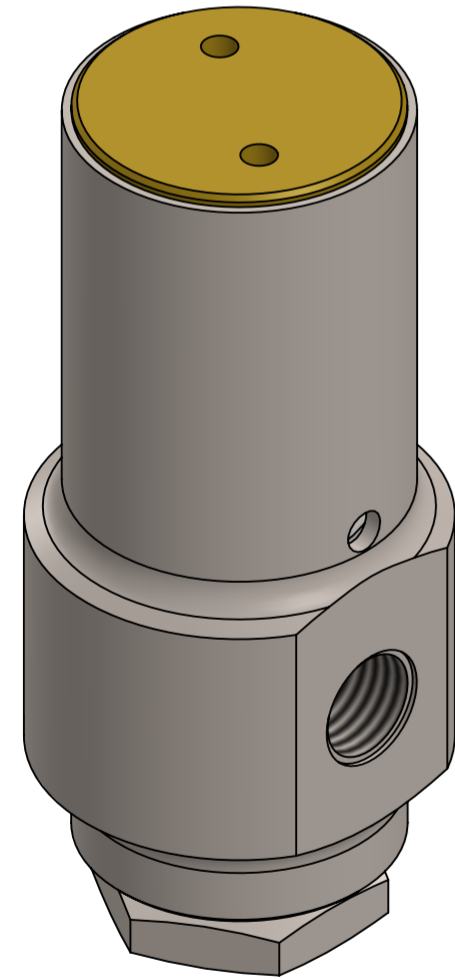
1/2" PORTED VALVES ARE ONLY OFFERED IN THE H15SS WIDE BODY VARIANT.



H15SS - WIDE BODY
1/2" PORTS ONLY



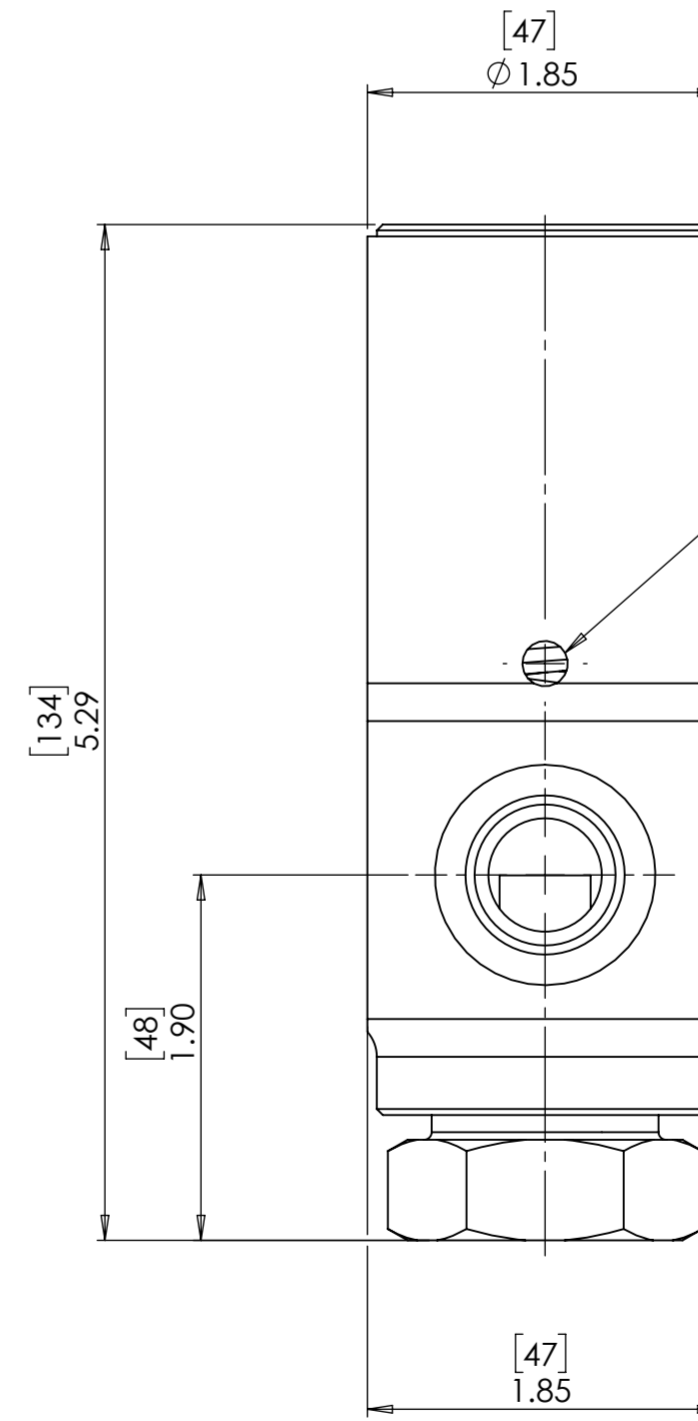
H15 - STANDARD BODY
1/4" & 3/8" PORTS ONLY



SPRING CHAMBER VENT PORT

OUTLET

INLET



SPRING CHAMBER VENT PORT

OUTLET

INLET

[77]
3.03



© AND DESIGN RIGHT Bis Wells LTD. ALL RIGHTS RESERVED. WITHOUT THE PRIOR WRITTEN PERMISSION OF Bis Wells Ltd NO PART OF THIS DOCUMENT MAY BE ALTERED, ADAPTED, PUBLISHED, REPRODUCED OR TRANSMITTED IN ANY FORM OR MEDIUM.						UNLESS OTHERWISE SPECIFIED DIMENSIONS ARE IN INCHES 1. LINEAR TOLERANCES : ±0.1" 2. ANGULAR TOLERANCES : ±2°			
DRAWN	J.PHELAN	SHEET 1 OF 1	3RD ANGLE PROJECTION	DRAWING SIZE	A2	DRAWING SCALE	1:1	DRAWING NUMBER	DS0003
DATE	29/04/19	ISSUE		3					