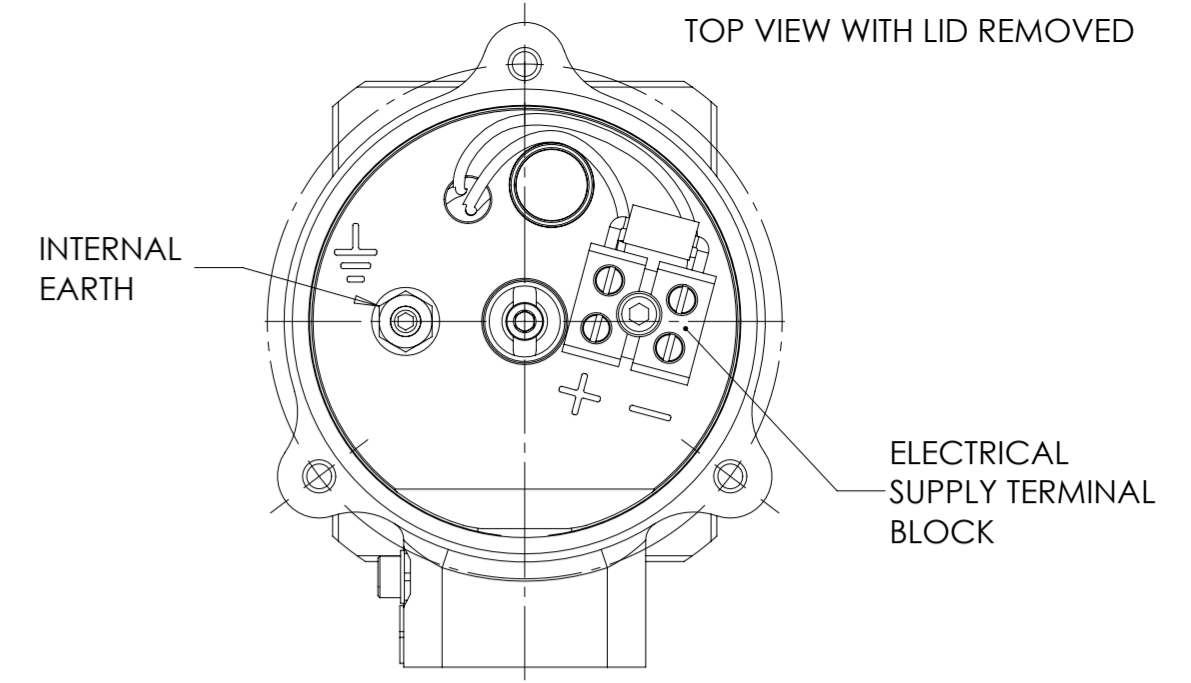


DATASHEET

SOLENOID VALVES: E20 & E21

Model Code Structure - Standard Model Code in Red

Valve Model	Solenoid Model	Conduit	Voltage	Reset	Pressure	Number of Ports	Port Type	Seal Material	Wetted Materials
E20- E20 Valve	SD Ex db Solenoid	1 M20 x 1.5	A 12 Vdc	A Automatic	60 6,000 Psi	2 2 Port, 2 Position, NC	B2 1/4" BSP	N Nitrile	SS/AL Stainless / Aluminium
E21- E21 Valve	SM Ex mb Solenoid	2 1/2" NPT	B 24 Vdc	O Over ride		3 2 Port, 2 Position, NO	N2 1/4" NPT	V Viton	SS/SS Stainless / Stainless
			C 48 Vdc	M Manual Reset			M2 Medium Pressure	S Silicone	SS/BR Stainless / Brass
			D 115 Vdc					L Low Temp Nitrile	
			E 24 Vac						
			F 48 Vac						
			G 115 Vac						
			H 230 Vac						



AMBIENT TEMPERATURE LIMITS

Ex db IIC T4 Gb & T6 Gb and Ex tb IIC T4 Db & T6 Db

SOLENOID SEAL MATERIAL	MIN Tamb (°C)	MAX Tamb (°C) (T4 135°C)	MAX Tamb (°C) (T6 85°C)
SILICON	-60	90	50

Ex mb IIC T4 Gb and Ex mb IIC T4 Db

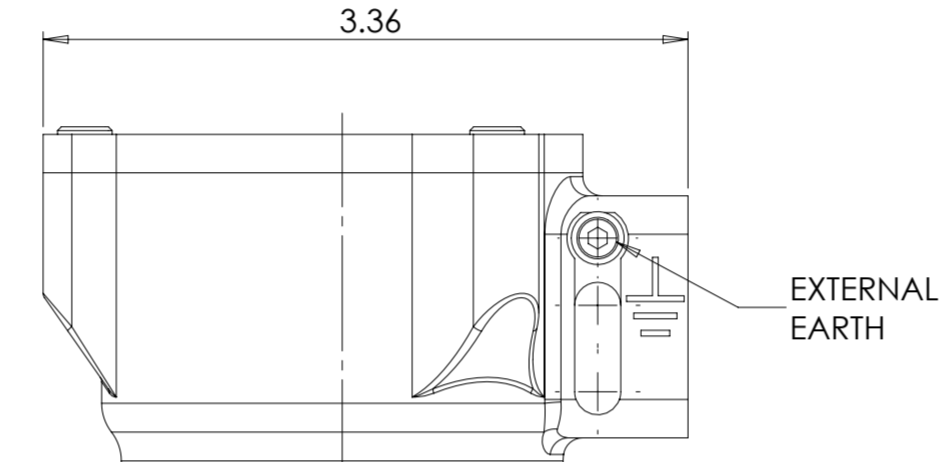
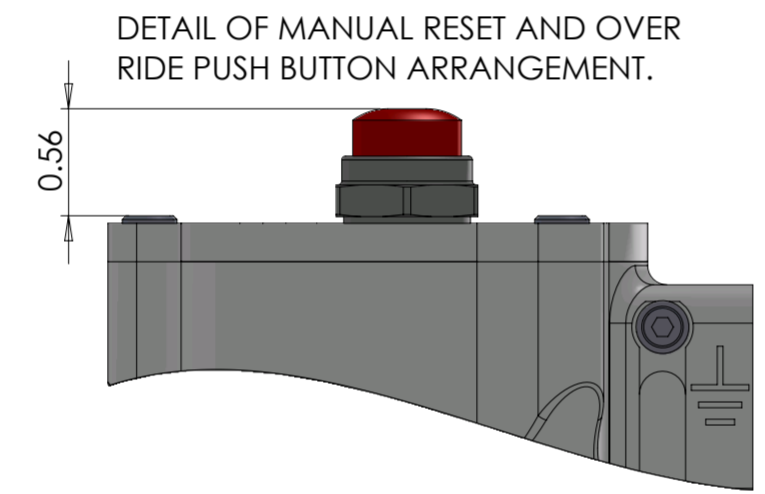
SOLENOID SEAL MATERIAL	MINIMUM Tamb (°C)	MAXIMUM Tamb (°C) (T4 135°C)
SILICON	-40	60

FLUID TEMPERATURE LIMITS

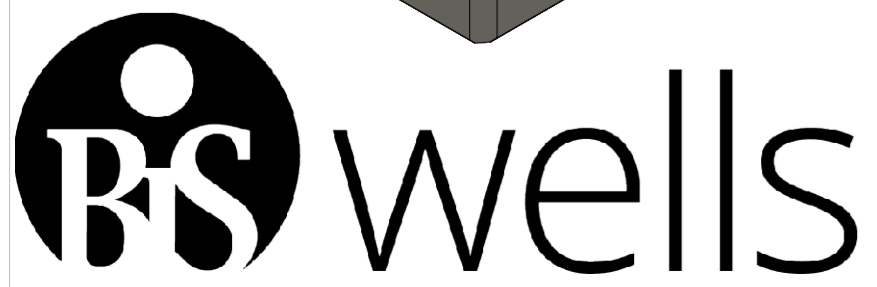
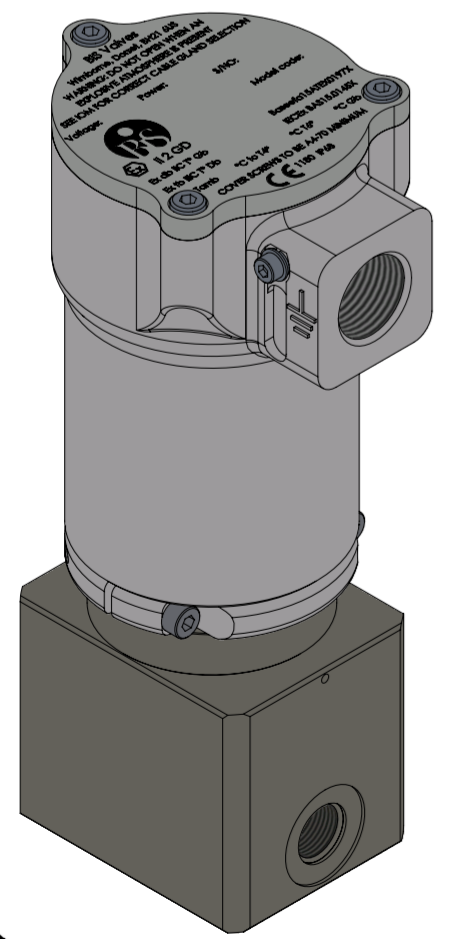
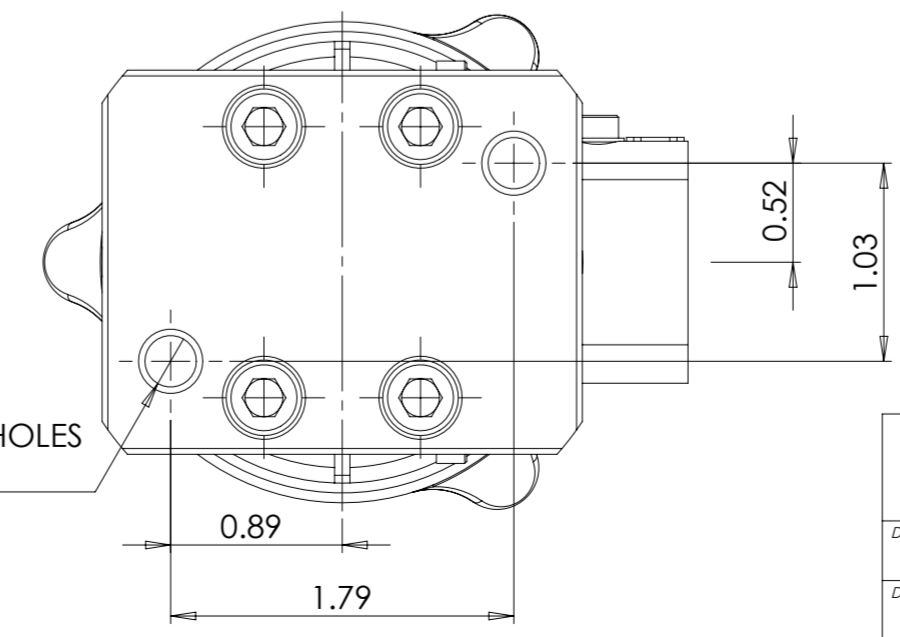
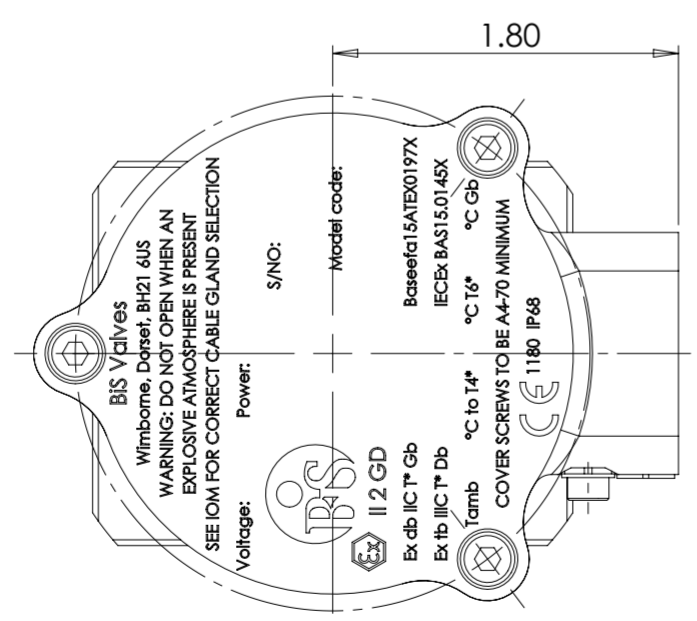
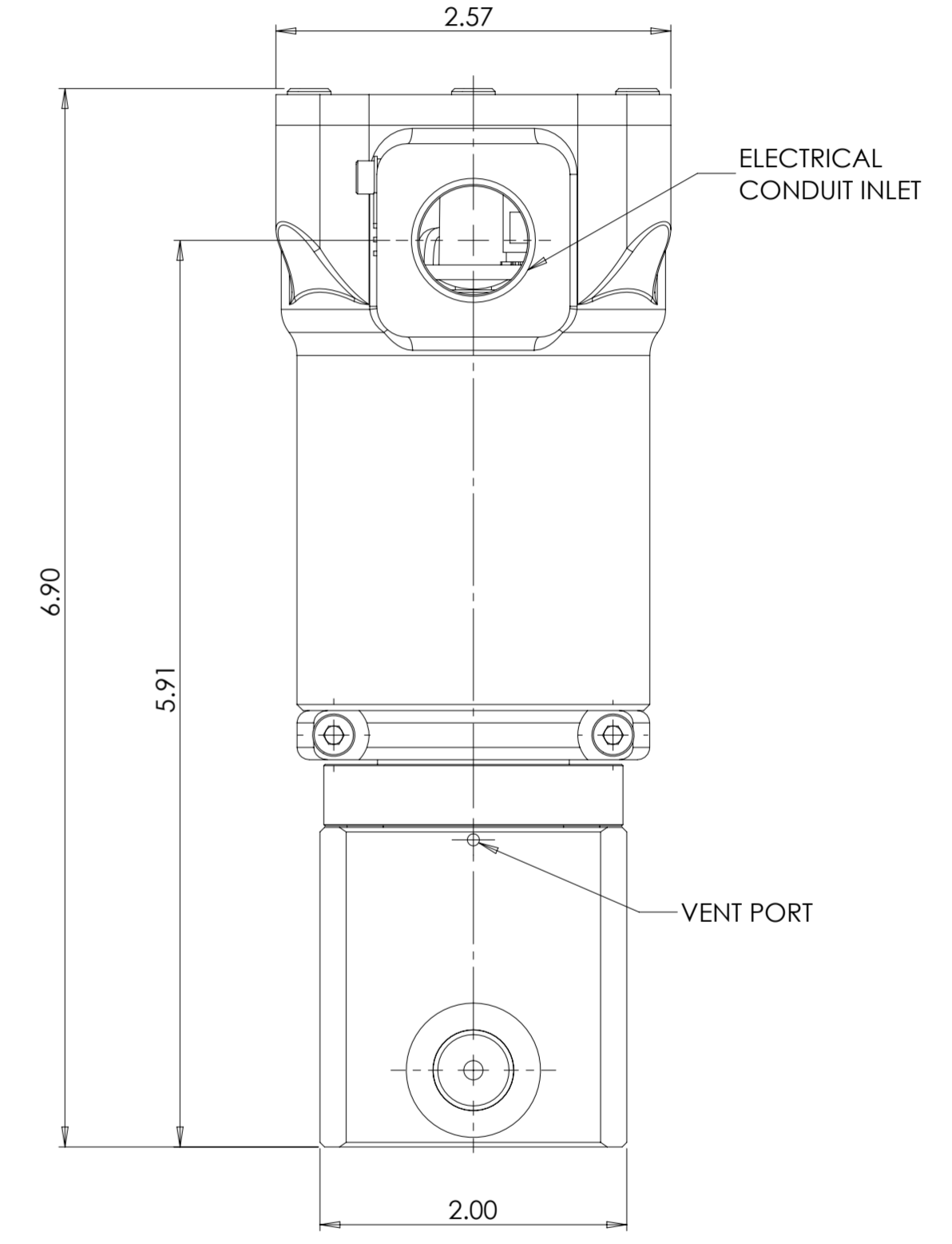
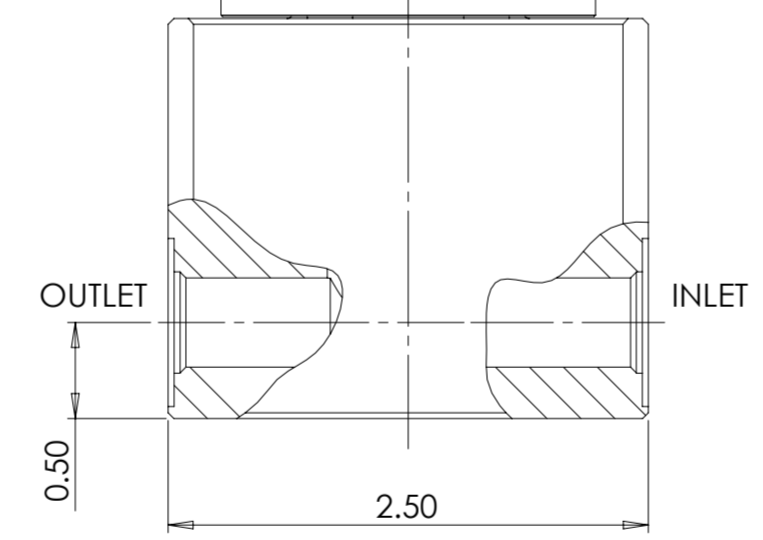
VALVE SEAL MATERIAL	MINIMUM TEMPERATURE (°C)	MINIMUM TEMPERATURE (°C)
VITON	-10	120
NBR	-25	105
LNBR	-55	105
SILICONE	-60	120

SPECIFICATION:

POWER RATING: 6 WATTS
 Cv: 0.06
 WEIGHT: 3.4 Kg
 IP RATING: IP68
 SURGE SUPPRESSION DIODE FITTED AS STANDARD



SOLENOID ABLE TO ROTATE INDEPENDENTLY OF VALVE BODY THROUGH 360 DEGREES FOR OPTIMAL CONDUIT ENTRY POSITION.



© AND DESIGN RIGHT BIS Wells LTD. ALL RIGHTS RESERVED. WITHOUT THE PRIOR WRITTEN PERMISSION OF BIS Wells Ltd NO PART OF THIS DOCUMENT MAY BE ALTERED, ADAPTED, PUBLISHED, REPRODUCED OR TRANSMITTED IN ANY FORM OR MEDIUM.

DRAWN	J.PHELAN	SHEET 1 OF 1	3RD ANGLE PROJECTION	DRAWING SIZE	A2	DRAWING SCALE	1:2	DRAWING NUMBER	DS0007
DATE	13/03/19	ISSUE		2					

UNLESS OTHERWISE SPECIFIED DIMENSIONS ARE IN INCHES
 1. LINEAR TOLERANCES : ±0.1"
 2. ANGULAR TOLERANCES : ±2°