

DATASHEET

DIRECTIONAL CONTROL VALVE (DCV): K49

MODEL CODE							
K49 -	1	1	AA	37P	N	NY	1

MODEL TYPE	
K49 -	K49 (2 POSITION BALANCED DCV)

MAXIMUM INLET PRESSURE	
1	310 Bar (4,500 Psi)
2	350 Bar (5,075 Psi)

PILOT PRESSURE RANGE	
1	60 ~ 120 Psi (4.1 ~ 8.3 Bar)
2	70 ~ 120 Psi (4.8 ~ 8.3 Bar)

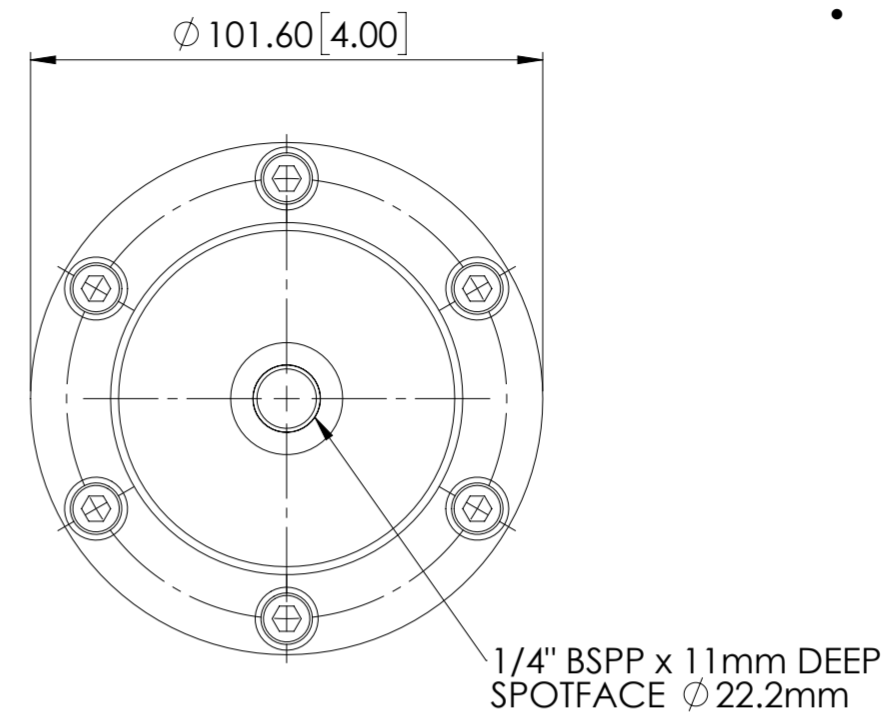
MATERIAL	
AA	ALUMINIUM ALLOY
SS	STAINLESS STEEL
AB	ALUMINIUM BRONZE
BR	BRASS

PORTING	
1	3 PORT UNIVERSAL
2	2 PORT NORMALLY CLOSED
3	2 PORT NORMALLY OPEN

SEAT MATERIAL	
NY	NYLON

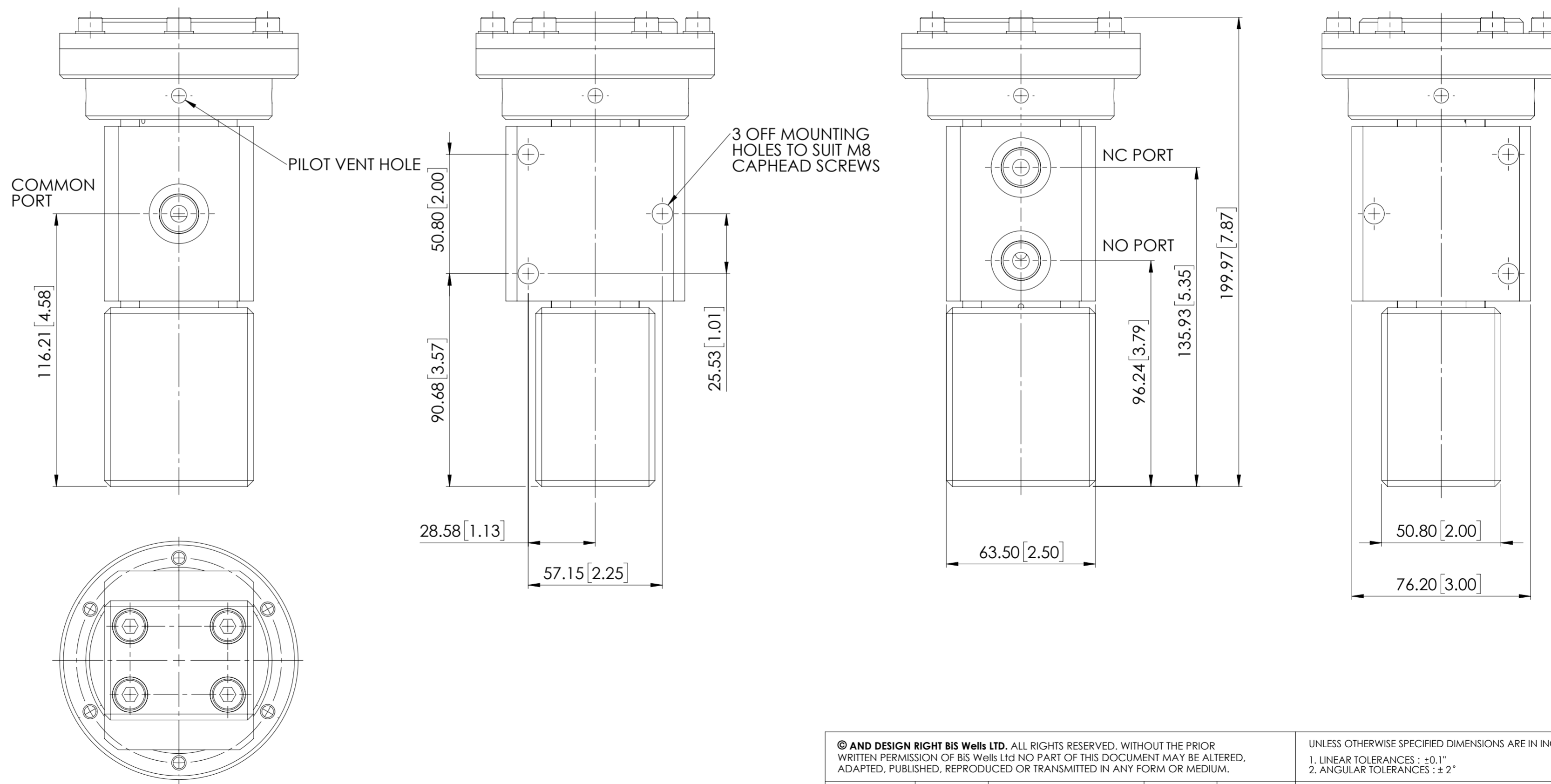
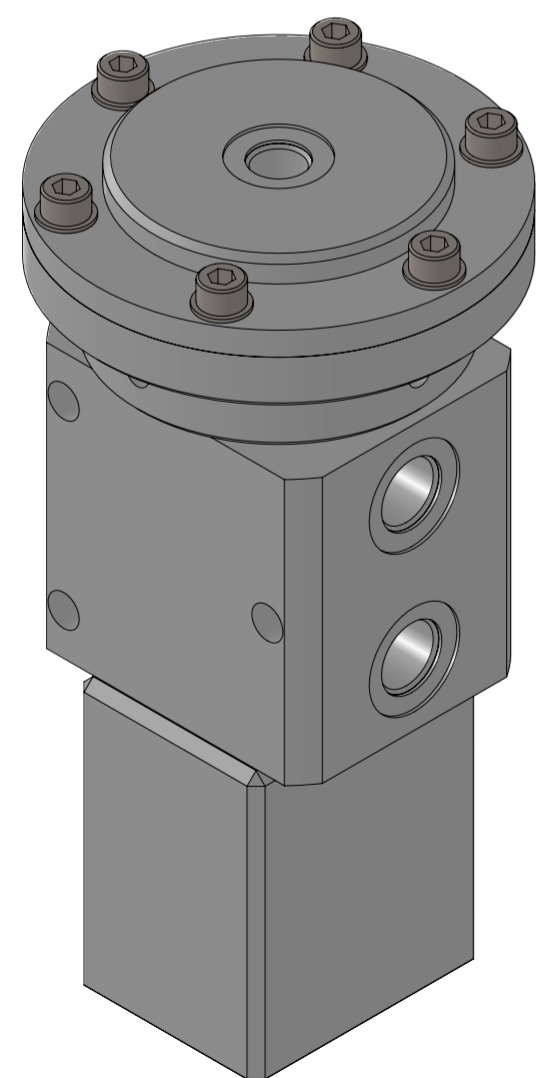
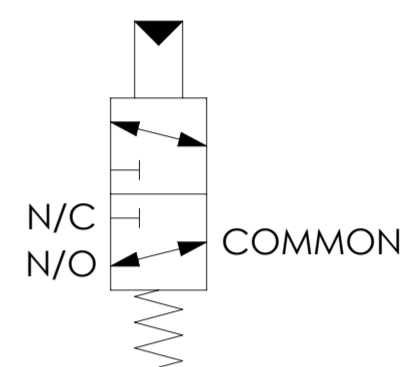
SEALS	
N	NITRILE
V	VITON

PORTING	
25P	1/4" BSPP
25N	1/4" NPT
37P	3/8" BSPP
37N	3/8" NPT



- SPECIFICATION**
- ORIFICE: 7.14mm
 - MEDIUM: GAS AND LIQUID
 - PILOT MEDIUM: GAS AND LIQUID
 - DRY WEIGHT: 1.5 kg (3.3 lb)
(ALUMINIUM ALLOY)

VALVE SYMBOL



© AND DESIGN RIGHT Bis Wells LTD. ALL RIGHTS RESERVED. WITHOUT THE PRIOR WRITTEN PERMISSION OF Bis Wells Ltd NO PART OF THIS DOCUMENT MAY BE ALTERED, ADAPTED, PUBLISHED, REPRODUCED OR TRANSMITTED IN ANY FORM OR MEDIUM.				UNLESS OTHERWISE SPECIFIED DIMENSIONS ARE IN INCHES 1. LINEAR TOLERANCES : ±0.1" 2. ANGULAR TOLERANCES : ±2°			
DRAWN	J.PHELAN	SHEET	1 OF 1	DRAWING SIZE	A2	DRAWING SCALE	1:2
DATE	17/05/19	ISSUE	1	3RD ANGLE PROJECTION			DRAWING NUMBER
							DS0008