

DATASHEET

SOLENOID VALVES: E26 AND E27

Model Code Structure - Standard Model Code in Red

Valve Model	Solenoid Model	Conduit	Voltage	Reset	Pressure	Port Type	Seal Material	Wetted Materials									
E26-	3 Ported NC	SD	Ex db Solenoid	1	M20 x 1.5	A	12 Vdc	A	Automatic	60	6,000 Psi	25P	1/4" BSP	N	Nitrile	SS/AL	Stainless / Aluminium
E27-	3 Ported NO	SM	Ex mb Solenoid	2	1/2" NPT	B	24 Vdc	O	Over ride			25N	1/4" NPT	V	Viton	SS/SS	Stainless / Stainless
						C	48 Vdc	M	Manual Reset			M2	Medium Pressure	S	Silicone	SS/BR	Stainless / Brass
						D	115 Vdc							L	Low Temp Nitrile		
						E	24 Vac										
						F	48 Vac										
						G	115 Vac										
						H	230 Vac										

AMBIENT TEMPERATURE LIMITS

Ex db IIC T4 Gb & T6 Gb and Ex tb IIIC T4 Db & T6 Db

SOLENOID SEAL MATERIAL	MIN Tamb (°C)	MAX Tamb (°C) (T4 135°C)	MAX Tamb (°C) (T6 85°C)
SILICON	-60	90	50

Ex mb IIC T4 Gb and Ex mb IIIC T4 Db

SOLENOID SEAL MATERIAL	MINIMUM Tamb (°C)	MAXIMUM Tamb (°C) (T4 135°C)
SILICON	-40	60

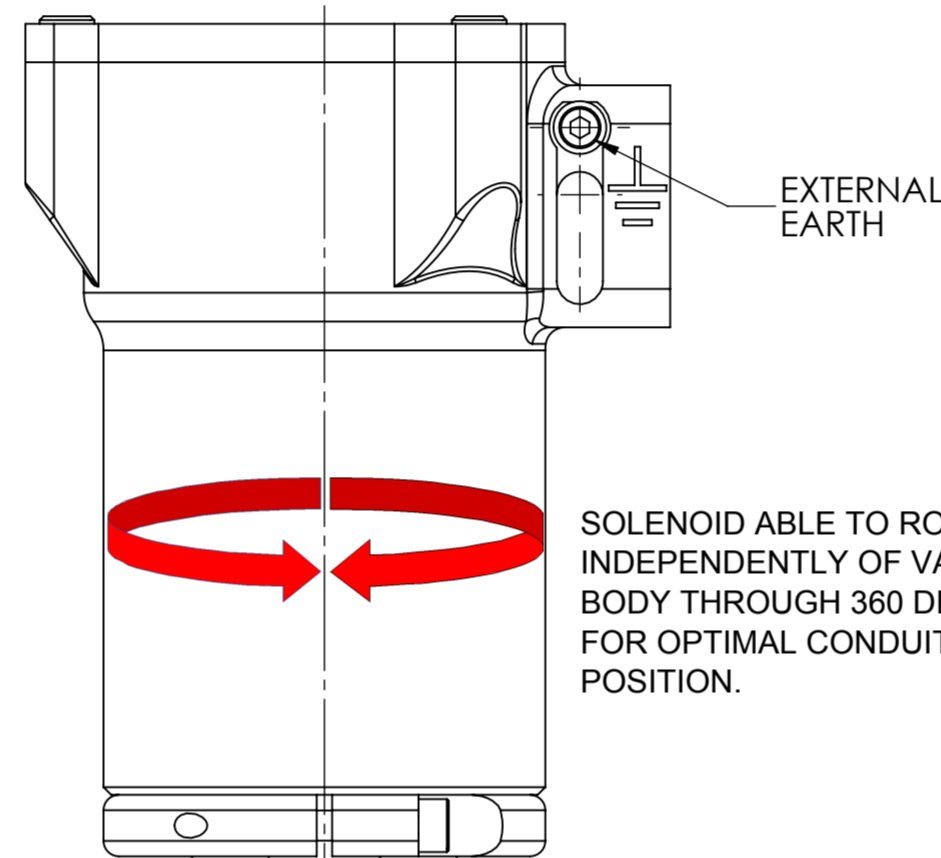
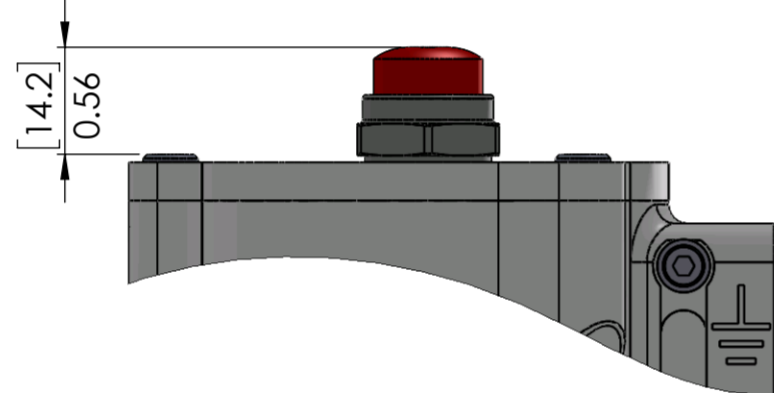
FLUID TEMPERATURE LIMITS

VALVE SEAL MATERIAL	MINIMUM TEMPERATURE (°C)	MINIMUM TEMPERATURE (°C)
VITON	-10	120
NBR	-25	105
LNBR	-55	105
SILICONE	-60	120

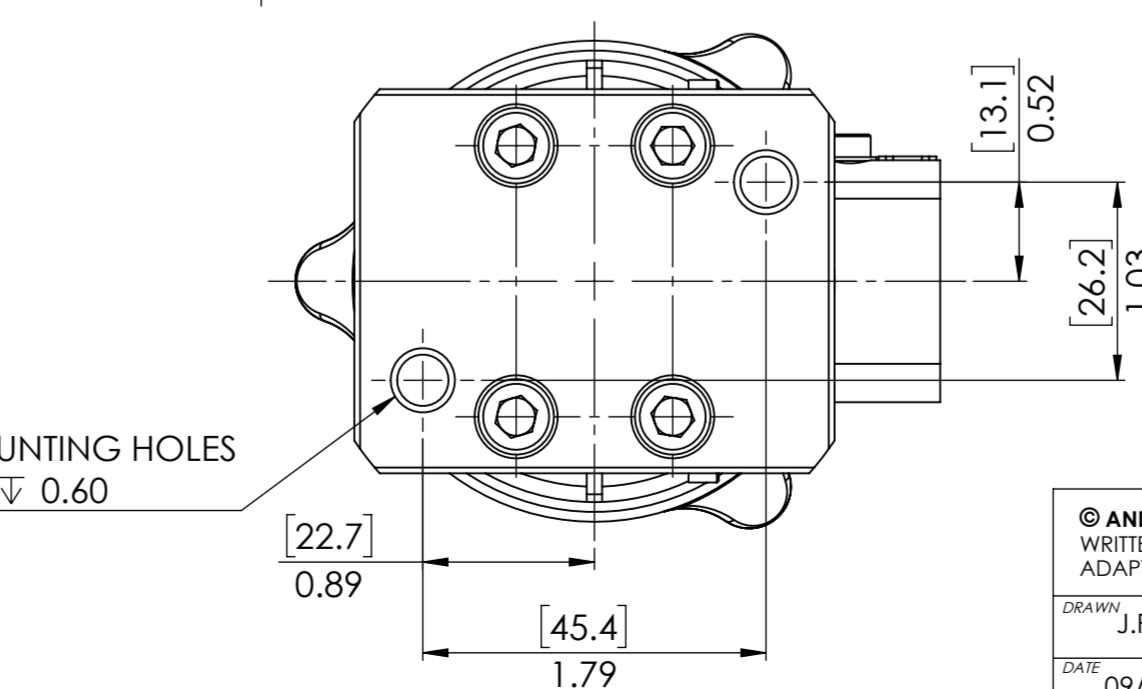
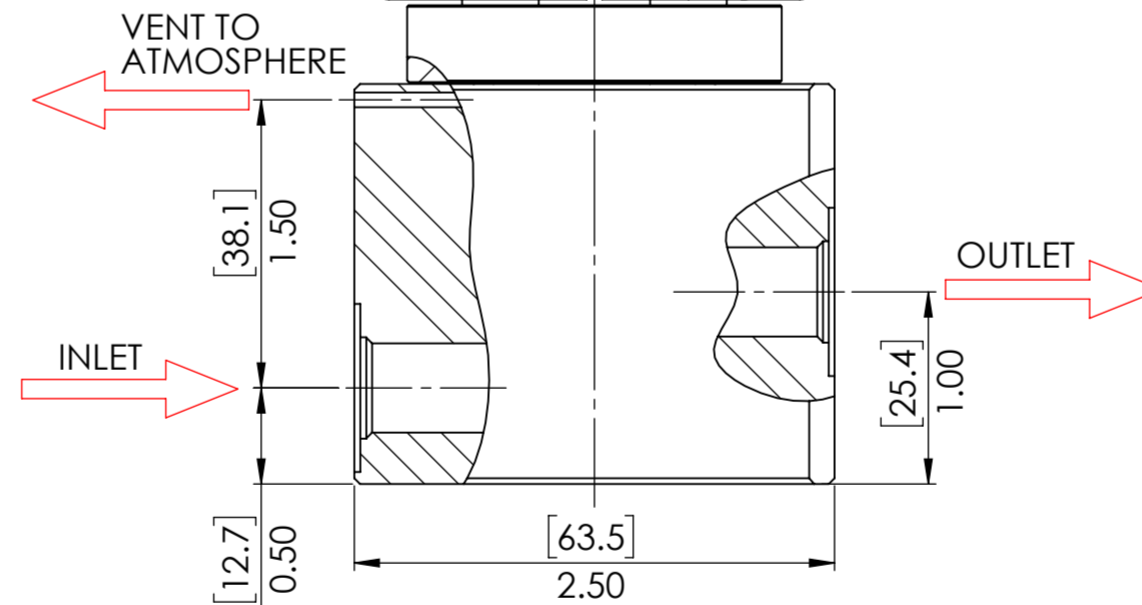
SPECIFICATION:

POWER RATING: 6 WATTS
 Cv: 0.06
 WEIGHT: 3.5 Kg
 IP RATING: IP68
 SURGE SUPPRESSION DIODE FITTED AS STANDARD

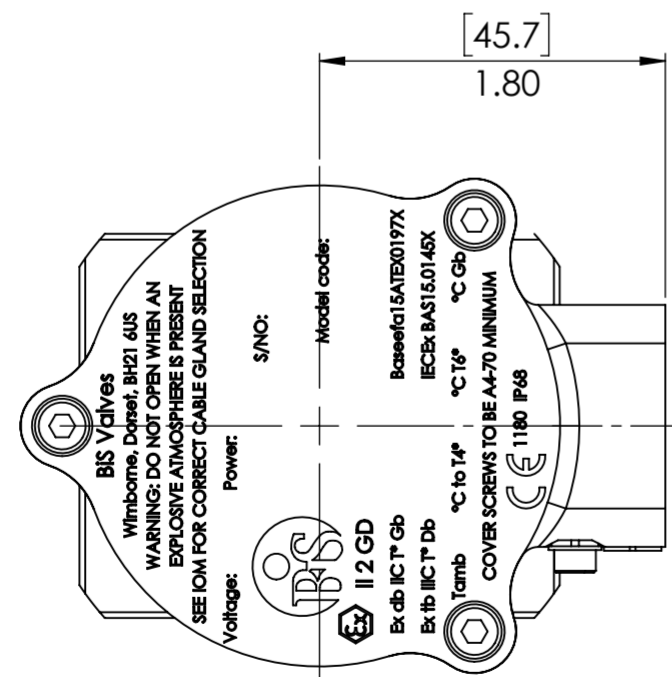
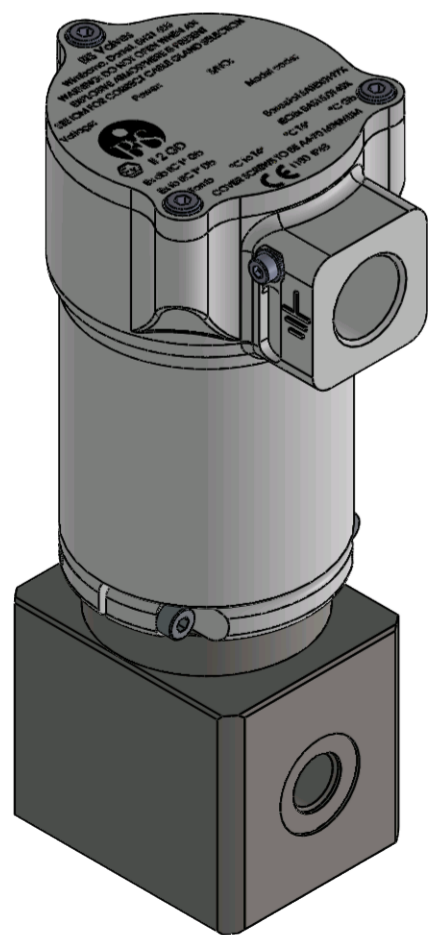
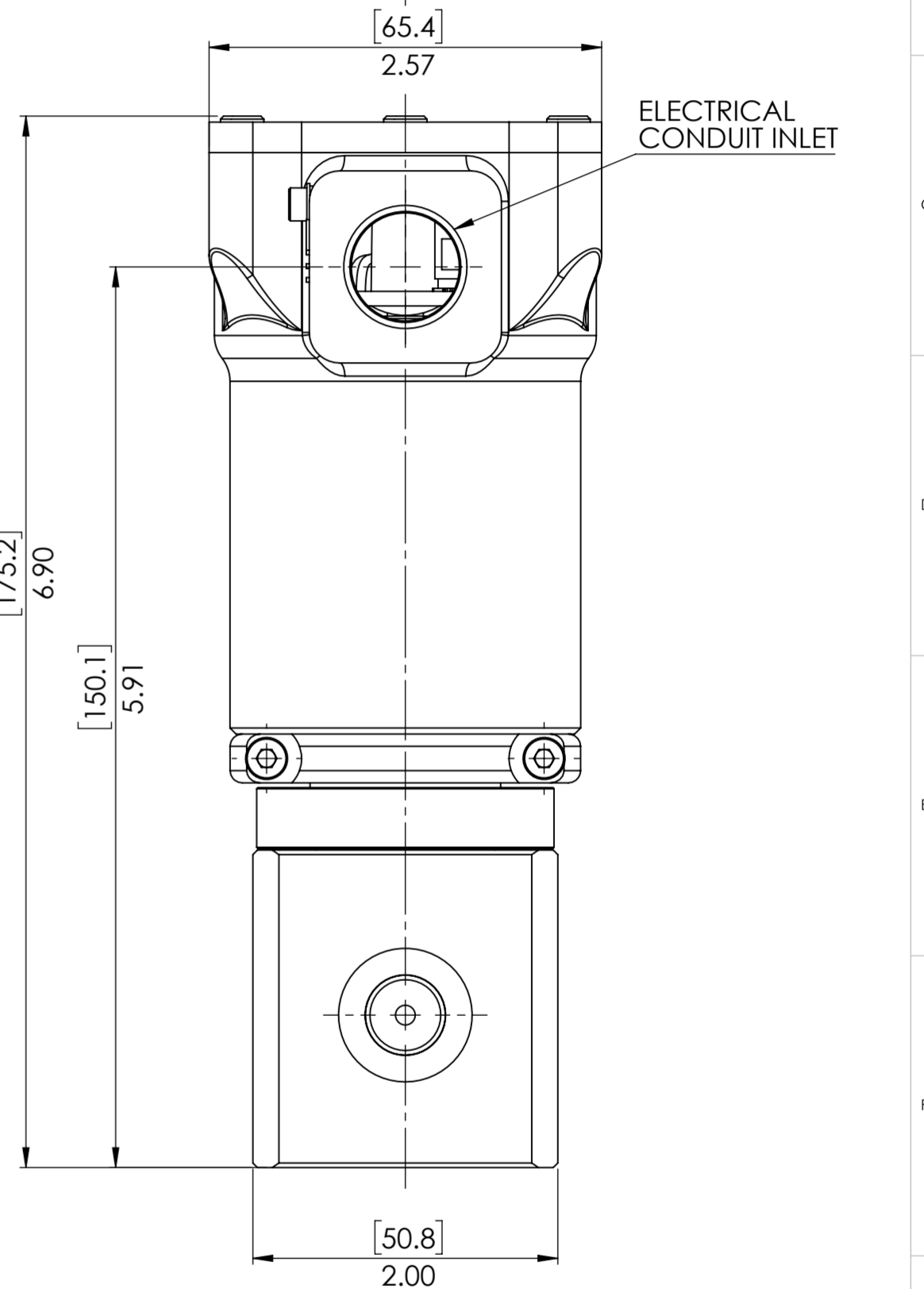
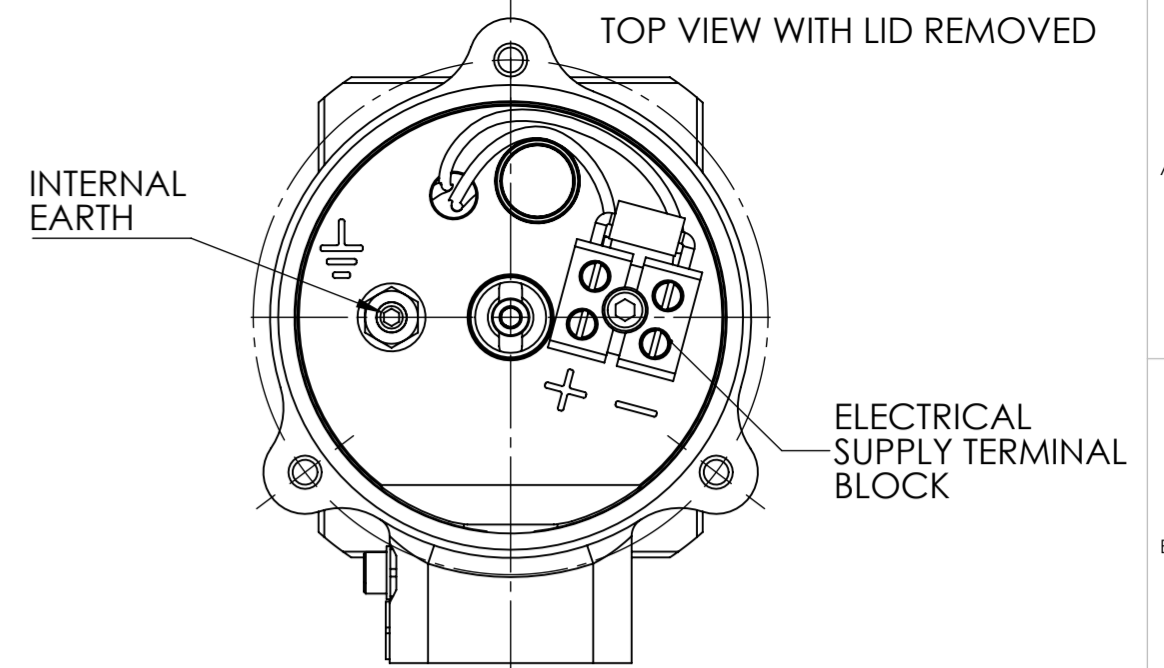
DETAIL OF MANUAL RESET AND OVER-RIDE PUSH BUTTON ARRANGEMENT.



SOLENOID ABLE TO ROTATE INDEPENDENTLY OF VALVE BODY THROUGH 360 DEGREES FOR OPTIMAL CONDUIT ENTRY POSITION.



2 OFF MOUNTING HOLES M8 x 1.25 ∇ 0.60



© AND DESIGN RIGHT BIS Wells LTD. ALL RIGHTS RESERVED. WITHOUT THE PRIOR WRITTEN PERMISSION OF BIS Wells Ltd NO PART OF THIS DOCUMENT MAY BE ALTERED, ADAPTED, PUBLISHED, REPRODUCED OR TRANSMITTED IN ANY FORM OR MEDIUM.				UNLESS OTHERWISE SPECIFIED DIMENSIONS ARE IN INCHES 1. LINEAR TOLERANCES : ±0.1" 2. ANGULAR TOLERANCES : ±2°			
DRAWN	J.PHELAN	SHEET	1 OF 1	DRAWING SIZE	A2	DRAWING SCALE	2:3
DATE	09/04/2020	ISSUE	1	3RD ANGLE PROJECTION		DRAWING NUMBER	DS0016