

DATASHEET

INLINE FILTER: F16

MODEL CODE					
F16 -	1	AA	150P	V	25M

MODEL TYPE	
F16 -	INLINE STYLE FILTER

MAXIMUM WORKING PRESSURE	
1	4,500 Psi (310 Bar)
2	6,000 Psi (414 Bar)

MATERIAL	
AA	ALUMINIUM ALLOY
AB	ALUMINIUM BRONZE
BR	BRASS
SS	STAINLESS STEEL

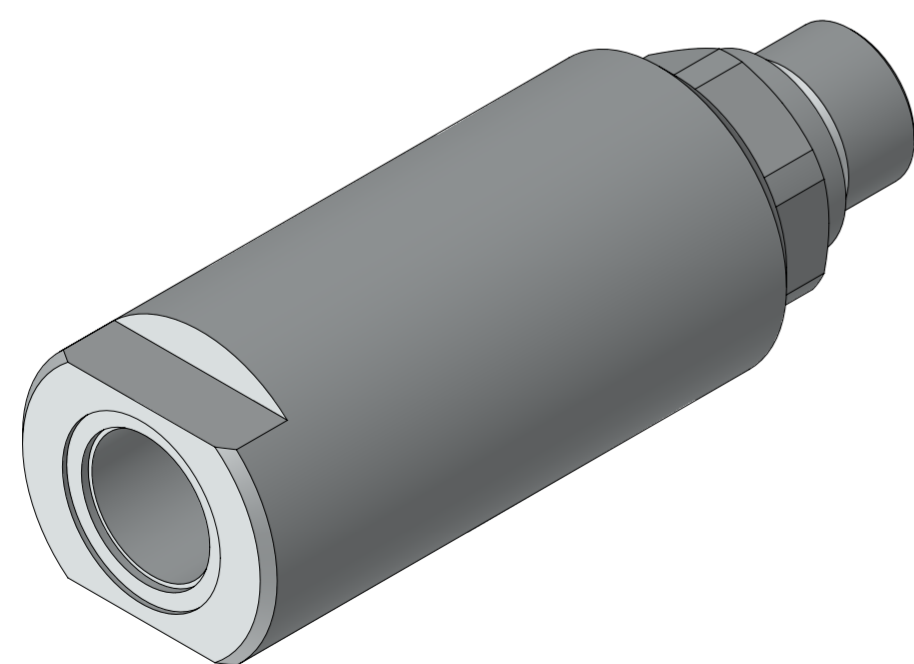
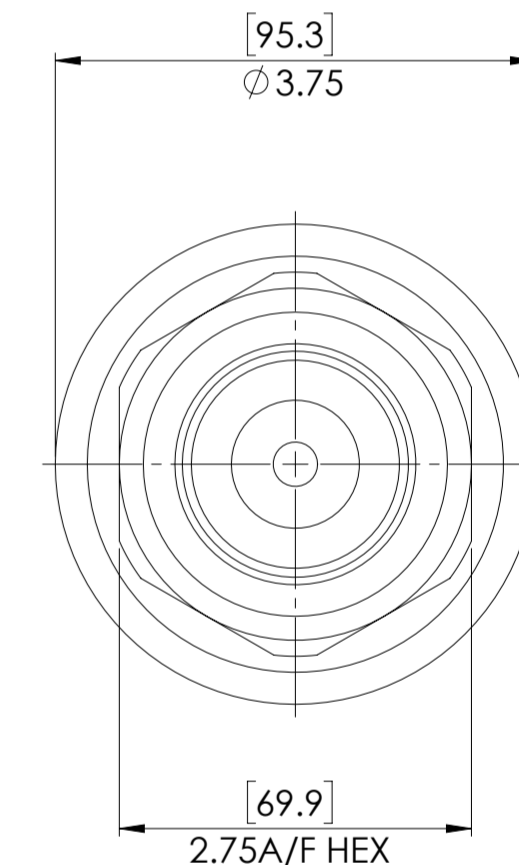
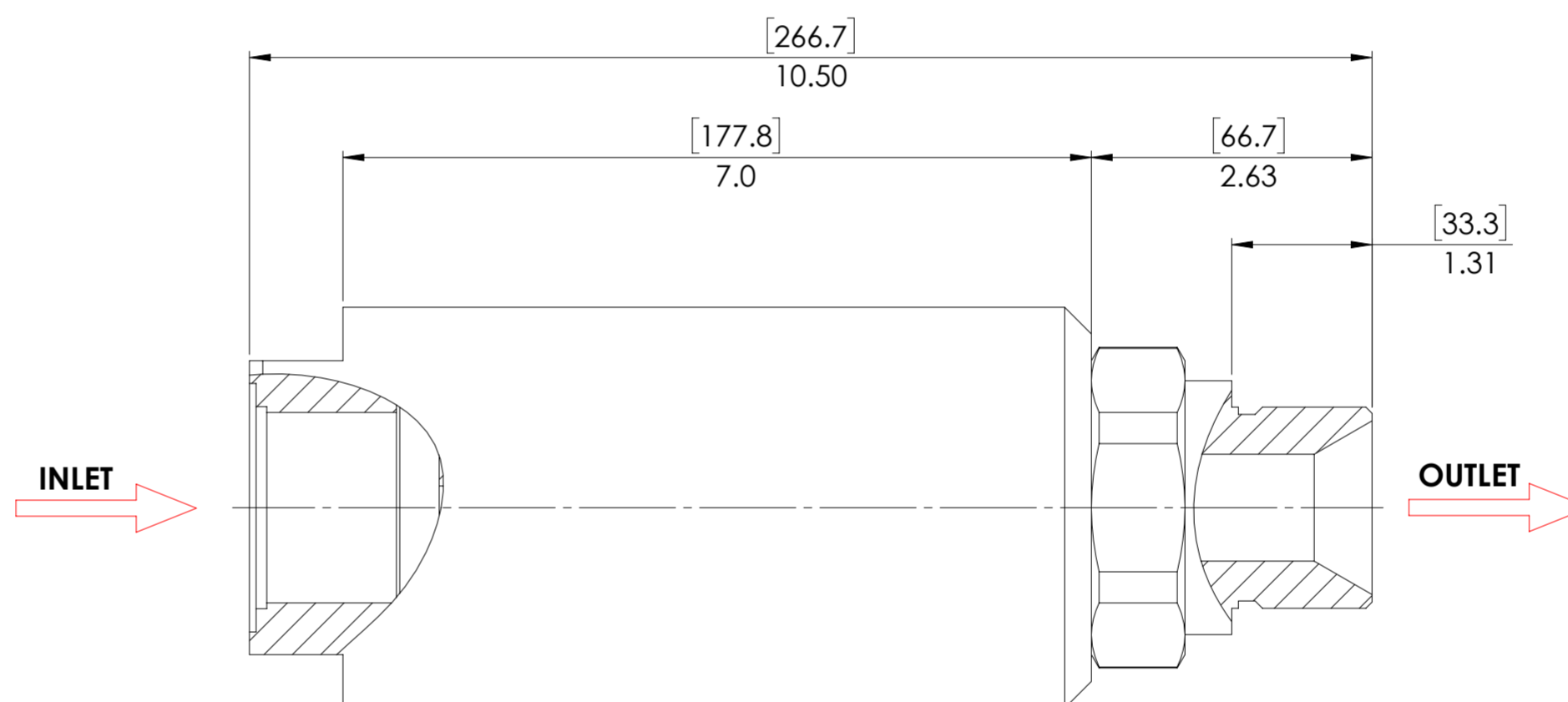
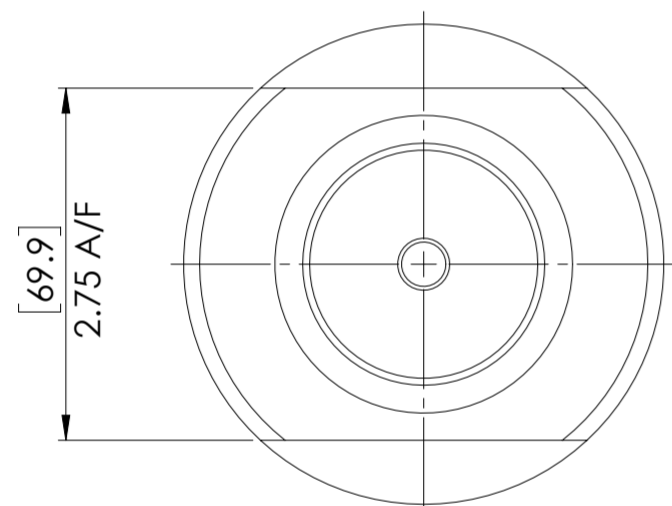
SEAL MATERIAL	
N	NITRILE
V	VITON

FILTRATION	
5M	5 MICRON
10M	10 MICRON
25M	25 MICRON
37M	37 MICRON

PORTS	
150P	1-1/2 BSPP
150N	1-1/2 NPT

SPECIFICATION

- MEDIUM: GAS AND LIQUIDS
- DRY WEIGHT: 3.0 kg (6.60 lb) (ALUMINIUM ALLOY)



© AND DESIGN RIGHT BIS WELLS LTD. ALL RIGHTS RESERVED. WITHOUT THE PRIOR WRITTEN PERMISSION OF BIS WELLS LTD NO PART OF THIS DOCUMENT MAY BE ALTERED, ADAPTED, PUBLISHED, REPRODUCED OR TRANSMITTED IN ANY FORM OR MEDIUM.				UNLESS OTHERWISE SPECIFIED DIMENSIONS ARE IN INCHES 1. LINEAR TOLERANCES : ±0.1" 2. ANGULAR TOLERANCES : ±2°						
DRAWN	N.DANIEL	SHEET	1 OF 1	 3RD ANGLE PROJECTION	DRAWING SIZE	A2	DRAWING SCALE	1:2	DRAWING NUMBER	DS0018
DATE	14/11/19	ISSUE	1							