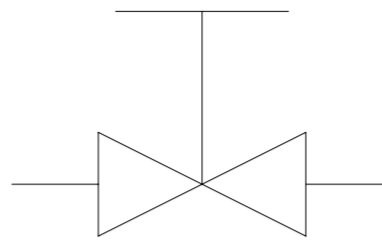


# DATASHEET

## STOP AND FLOW CONTROL VALVES: B100 SERIES

CIRCUIT SYMBOL



| MODEL CODE |   |   |     |   |    |
|------------|---|---|-----|---|----|
| B100 -     | 1 | A | 37P | N | NY |

| MODEL TYPE |                             |
|------------|-----------------------------|
| B100       | STOP AND FLOW CONTROL VALVE |

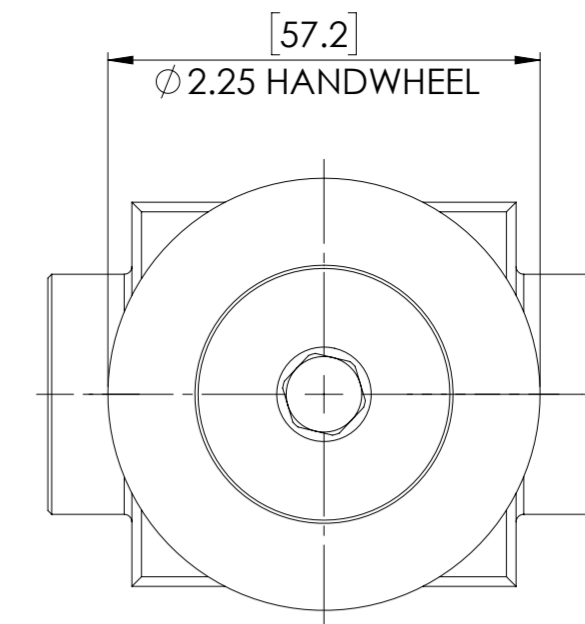
| MAXIMUM INLET PRESSURE |                     |
|------------------------|---------------------|
| 1                      | 6,500 Psi (448 Bar) |

| MATERIAL |                  |
|----------|------------------|
| A        | ALUMINIUM        |
| AB       | ALUMINIUM BRONZE |
| BR       | BRASS            |
| SS       | STAINLESS STEEL  |

| SEAT MATERIAL                        |         |
|--------------------------------------|---------|
| NY                                   | POLYMER |
| PT                                   | PTFE    |
| OTHER MATERIALS AVAILABLE ON REQUEST |         |

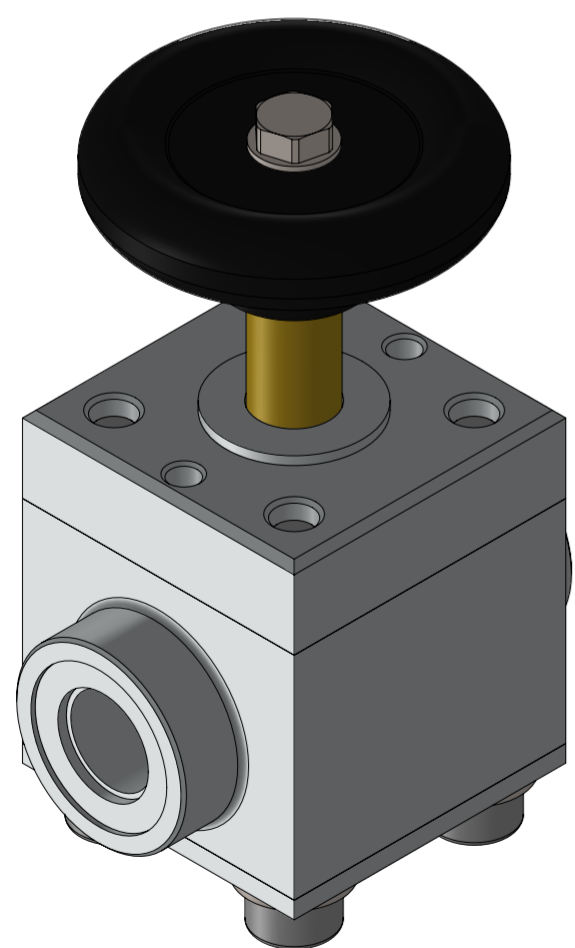
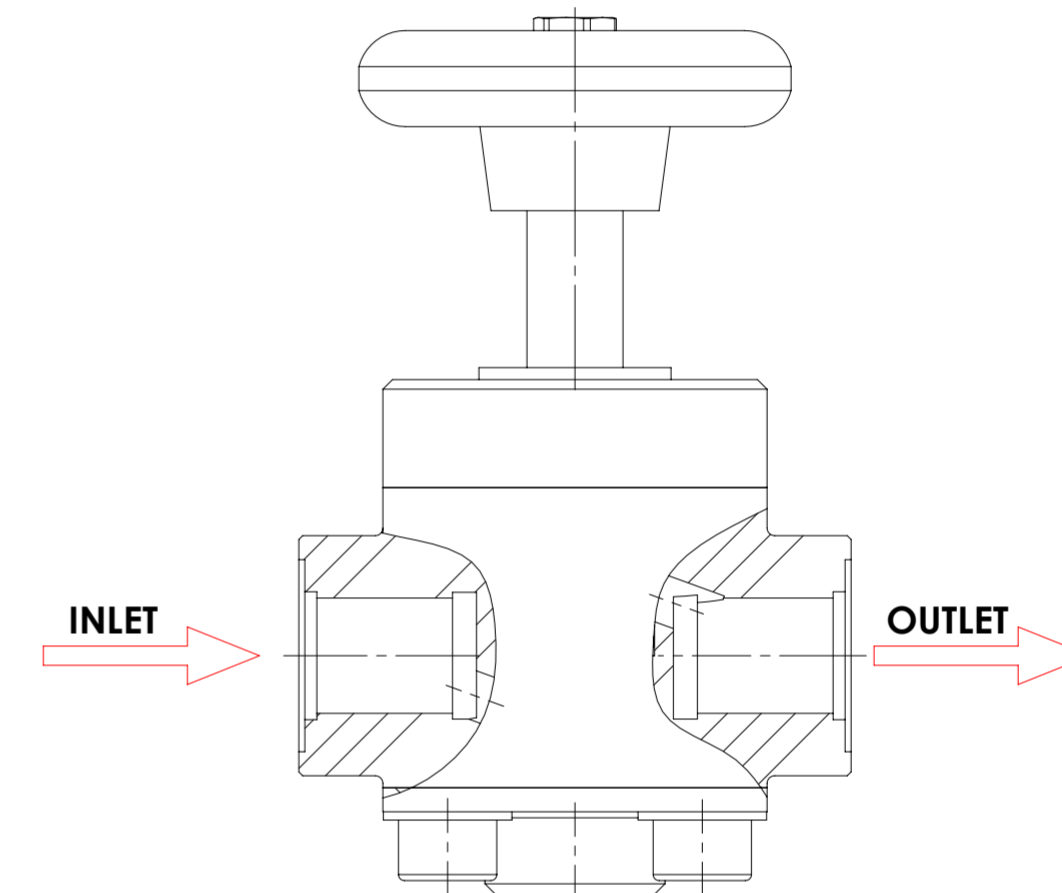
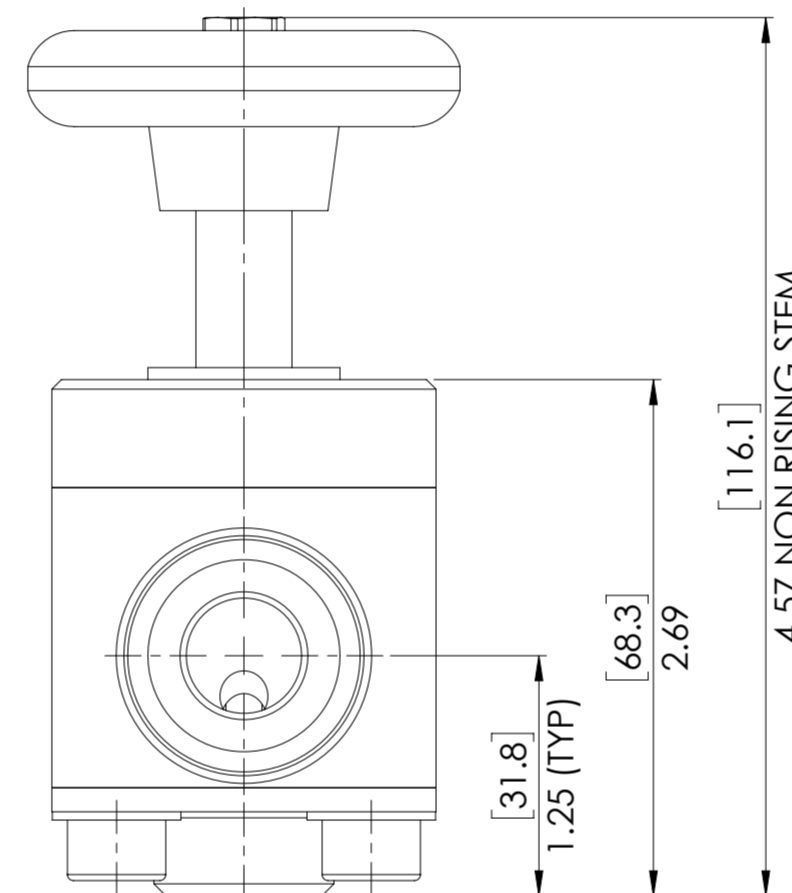
| SEAL MATERIAL                        |         |
|--------------------------------------|---------|
| N                                    | NITRILE |
| V                                    | VITON   |
| OTHER MATERIALS AVAILABLE ON REQUEST |         |

| PORTS |           |
|-------|-----------|
| 25P   | 1/4" BSPP |
| 25N   | 1/4" NPT  |
| 37P   | 3/8" BSPP |
| 37N   | 3/8" NPT  |



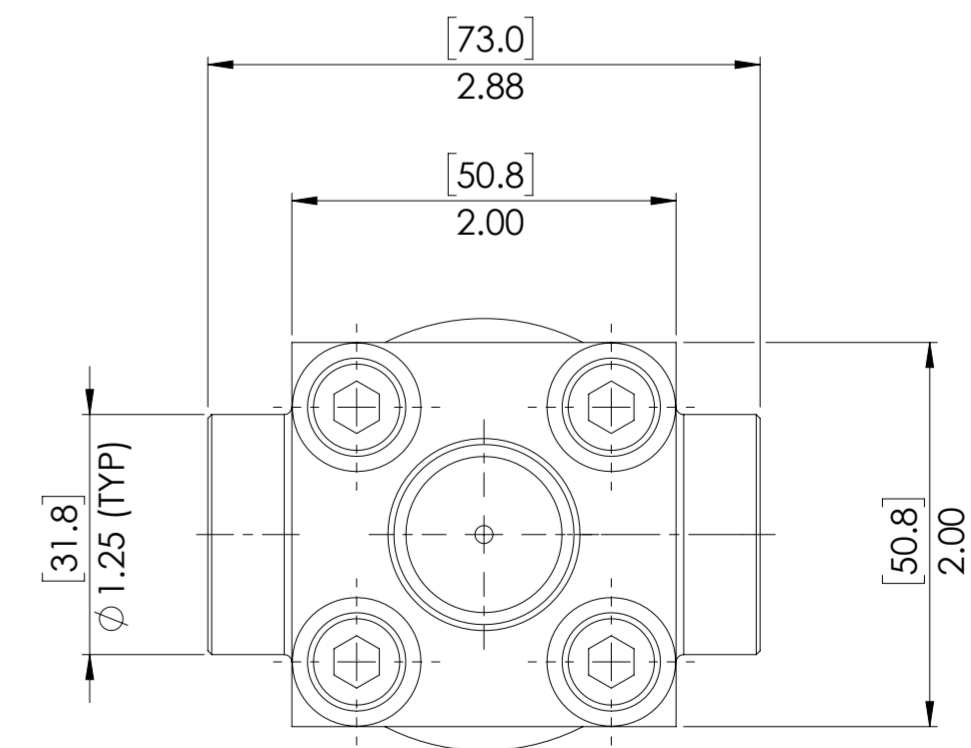
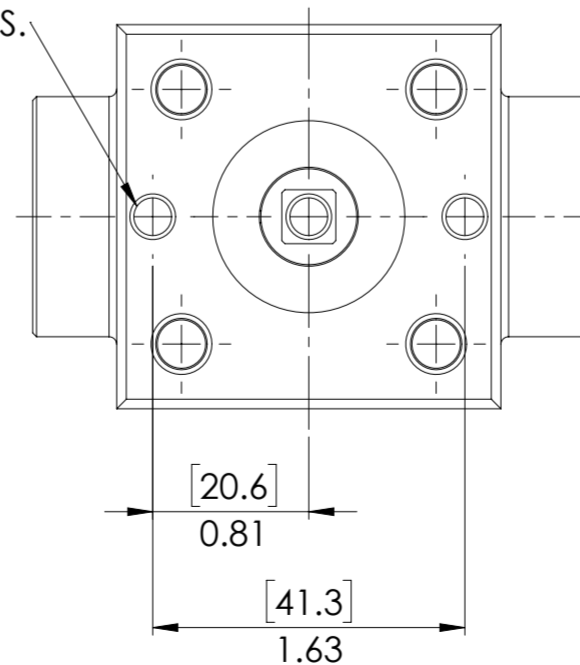
### SPECIFICATION

- WEIGHT: 0.7Kg (1.54Lb) ALUMINIUM
- NON RISING STEM
- BALANCED SPOOL DESIGN
- ORIFICE DIAMETER: 6.4mm (0.25")
- OXYGEN SERVICE VERSION AVAILABLE
- SUITABLE FOR BOTH GAS AND LIQUID



TOP VIEW WITH HANDWHEEL REMOVED

2 OFF M6 PANEL MOUNTING HOLES.



|  |          |       |        |   |              |    |               |     |                |        |
|--|----------|-------|--------|---|--------------|----|---------------|-----|----------------|--------|
| © AND DESIGN RIGHT Bis Wells LTD. ALL RIGHTS RESERVED. WITHOUT THE PRIOR WRITTEN PERMISSION OF Bis Wells Ltd NO PART OF THIS DOCUMENT MAY BE ALTERED, ADAPTED, PUBLISHED, REPRODUCED OR TRANSMITTED IN ANY FORM OR MEDIUM. |          |       |        | UNLESS OTHERWISE SPECIFIED DIMENSIONS ARE IN INCHES<br>1. LINEAR TOLERANCES : ±0.1"<br>2. ANGULAR TOLERANCES : ± 2° |              |    |               |     |                |        |
| DRAWN  | N.DANIEL | SHEET | 1 OF 1 | <br>3RD ANGLE PROJECTION  | DRAWING SIZE | A2 | DRAWING SCALE | 1:1 | DRAWING NUMBER | DS0023 |
| DATE   | 04/12/19 | ISSUE | 1      |   |              |    |               |     |                |        |