

DATASHEET

STOP AND FLOW CONTROL VALVES: B102 SERIES

MODEL CODE					
B102 -	1	AL	75P	N	NY

MODEL TYPE	
B102	STOP AND FLOW CONTROL VALVE

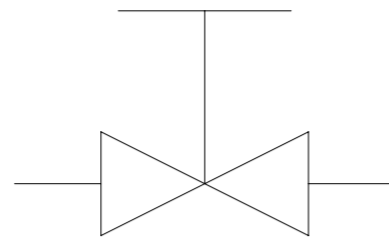
MAXIMUM INLET PRESSURE	
1	6,500 Psi (448 Bar)

MATERIAL	
A	ALUMINIUM
AB	ALUMINIUM BRONZE
BR	BRASS
SS	STAINLESS STEEL

SPECIFICATION

- WEIGHT: 1.1Kg (2.42lb) ALUMINIUM
- NON RISING STEM
- BALANCED SPOOL DESIGN
- ORIFICE DIAMETER: 12.7mm (0.5")
- OXYGEN SERVICE VERSION AVAILABLE
- SUITABLE FOR BOTH GAS AND LIQUID

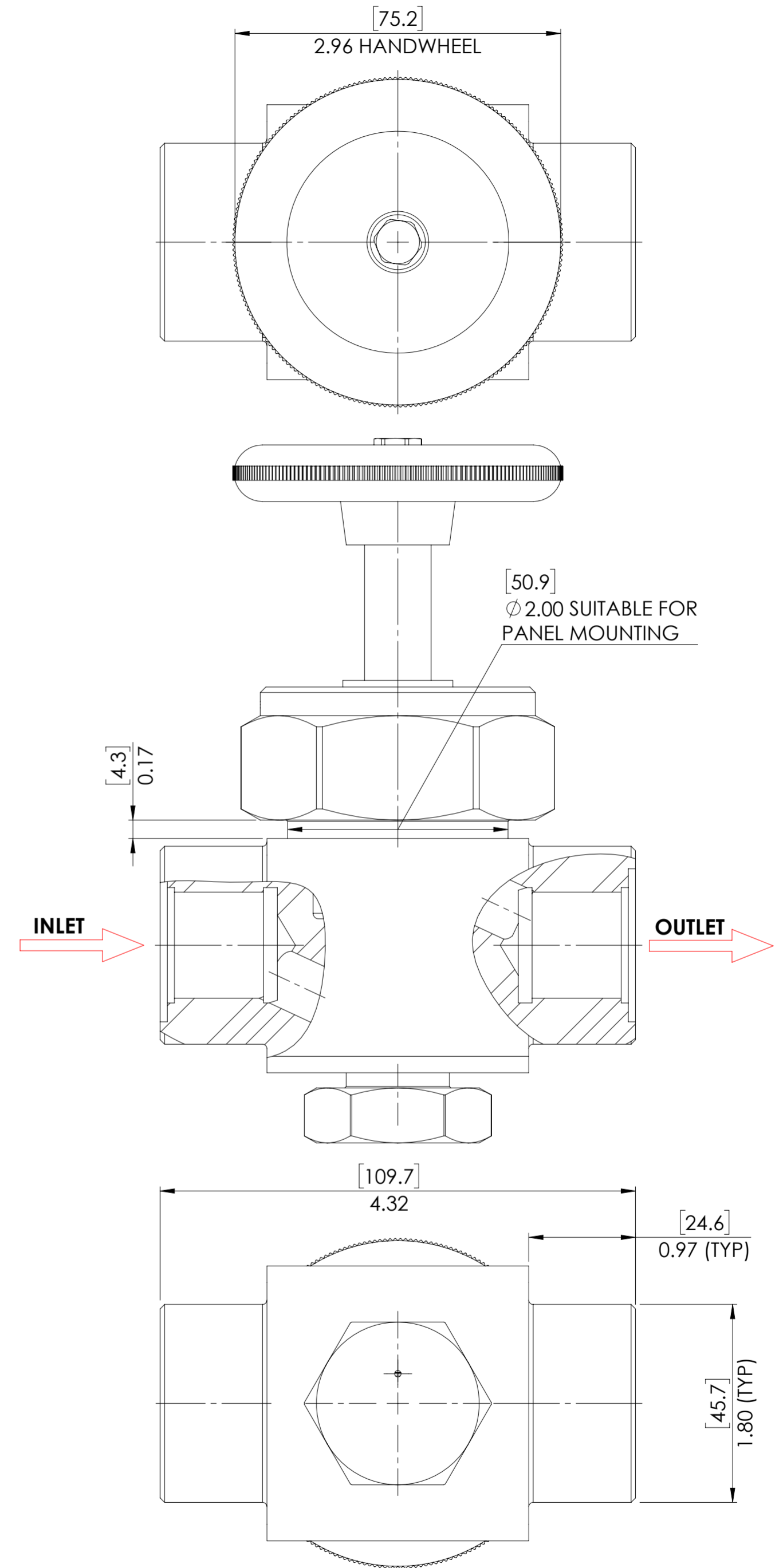
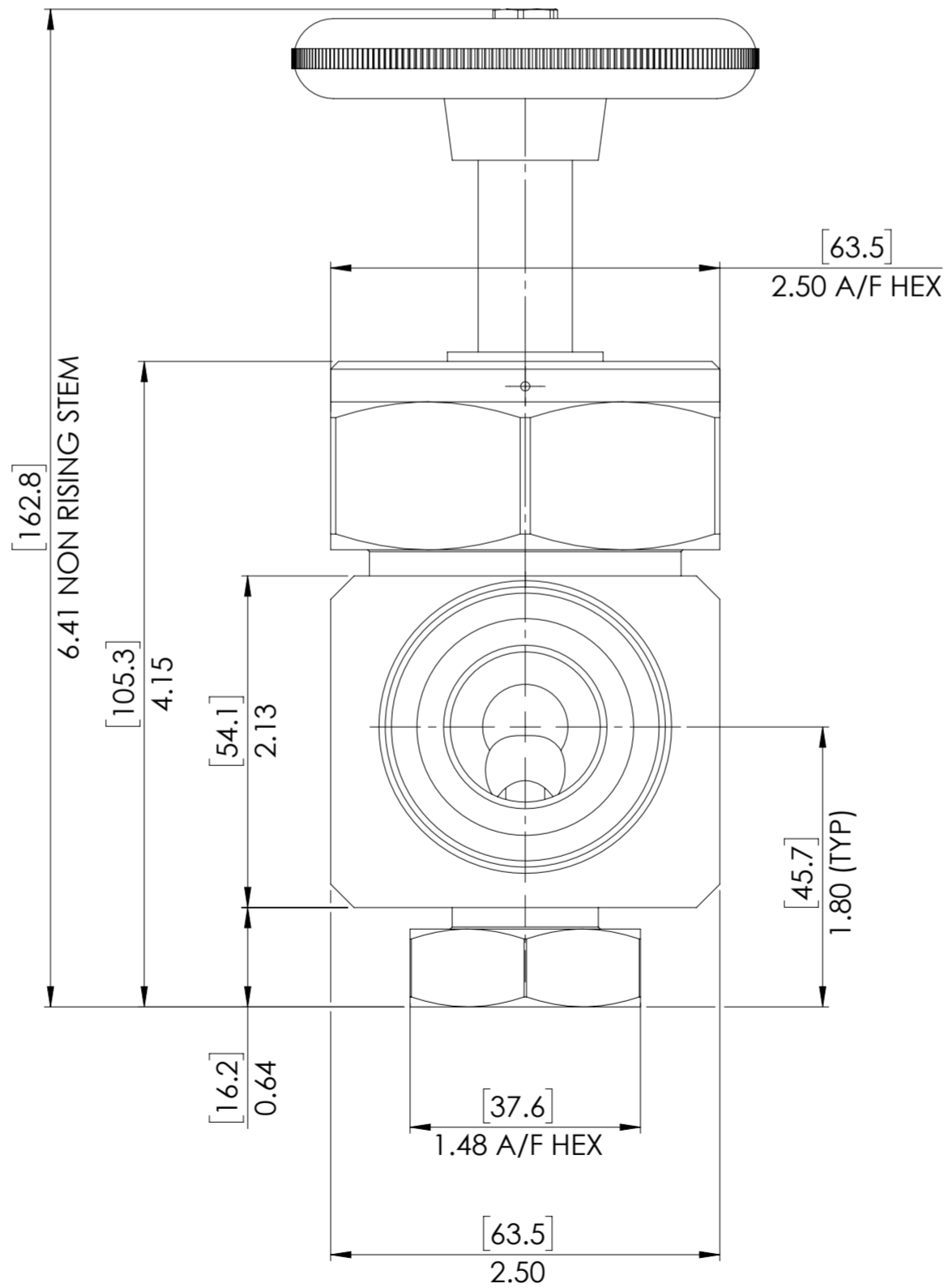
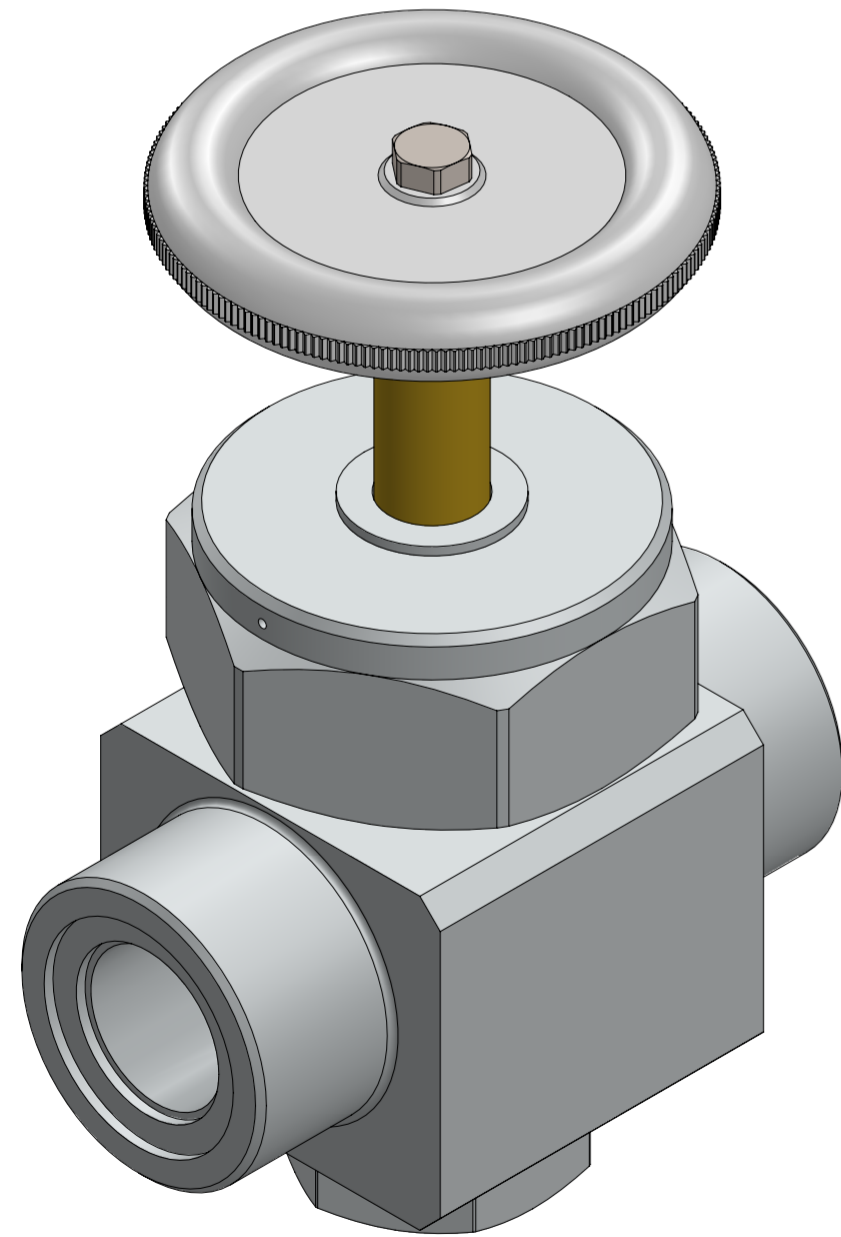
CIRCUIT SYMBOL



SEAT MATERIAL	
NY	POLYMER
PT	PTFE
OTHER MATERIALS AVAILABLE ON REQUEST	

SEAL MATERIAL	
N	NITRILE
V	VITON
OTHER MATERIALS AVAILABLE ON REQUEST	

PORTS	
50P	1/2" BSPP
50N	1/2" NPT
75P	3/4" BSPP
75N	3/4" NPT



© AND DESIGN RIGHT Bis Wells LTD. ALL RIGHTS RESERVED. WITHOUT THE PRIOR WRITTEN PERMISSION OF Bis Wells Ltd NO PART OF THIS DOCUMENT MAY BE ALTERED, ADAPTED, PUBLISHED, REPRODUCED OR TRANSMITTED IN ANY FORM OR MEDIUM.				UNLESS OTHERWISE SPECIFIED DIMENSIONS ARE IN INCHES 1. LINEAR TOLERANCES : ±0.1" 2. ANGULAR TOLERANCES : ±2°			
DRAWN	N.DANIEL	SHEET	1 OF 1	DRAWING SIZE	A2	DRAWING SCALE	1:2
DATE	13/12/19	ISSUE	1	3RD ANGLE PROJECTION		DRAWING NUMBER	DS0026