

DATASHEET

NON RETURN VALVE (NRV): D11

MODEL CODE				
D11 -	1	A	37PM	N

MODEL TYPE	
D11	NON RETURN VALVE

MAXIMUM INLET PRESSURE	
1	6,000 Psi (415 Bar)

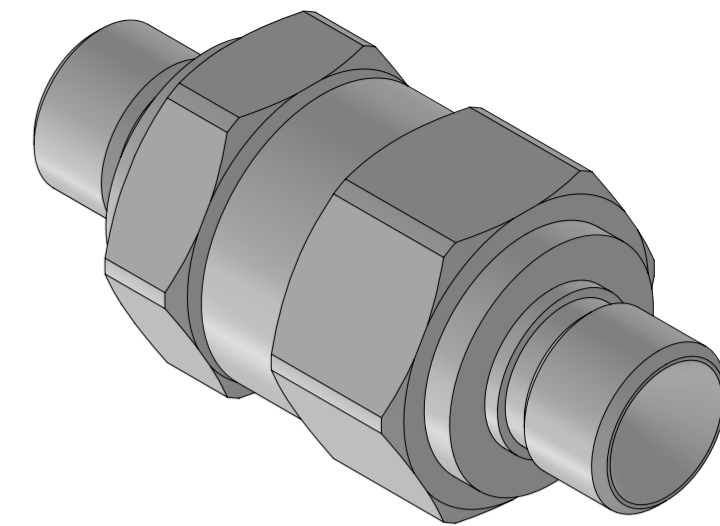
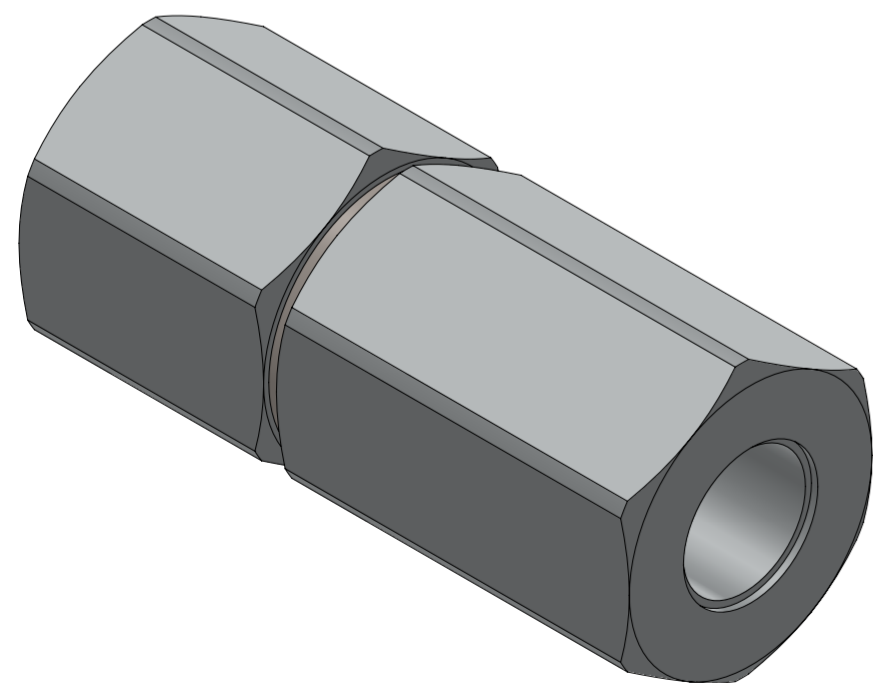
MATERIAL	
A	ALUMINIUM
AB	ALUMINIUM BRONZE
BR	BRASS
SS	STAINLESS STEEL

SEAL MATERIAL	
N	NITRILE
V	VITON

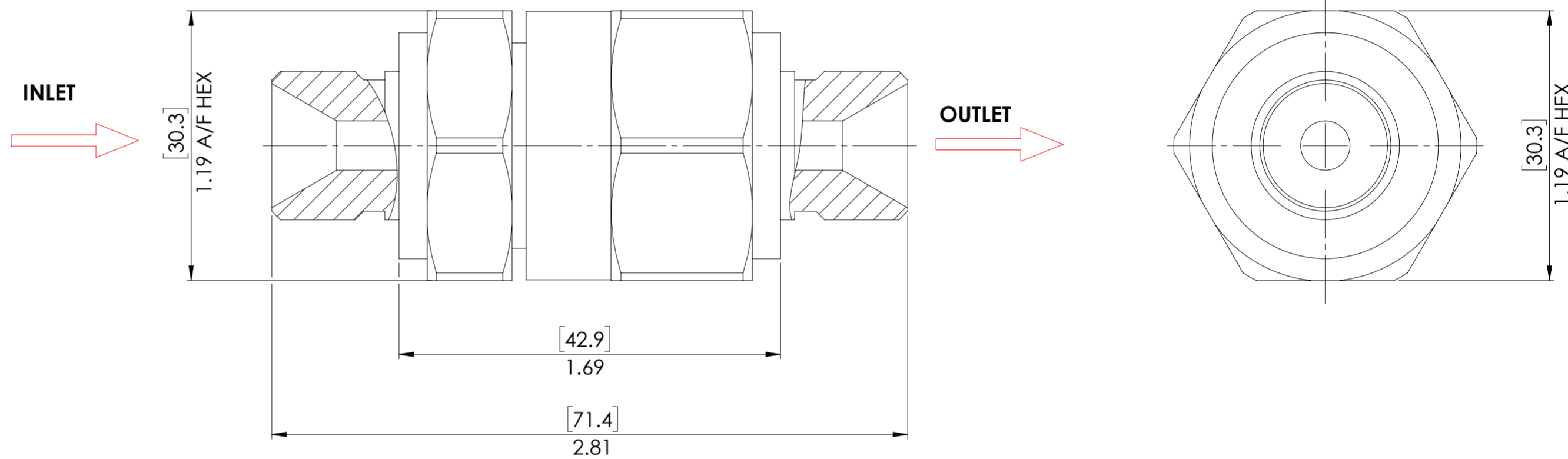
PORTS	
37PM	3/8" BSPP MALE CONNECTION
37PF	3/8" BSPP FEMALE CONNECTION

SPECIFICATION

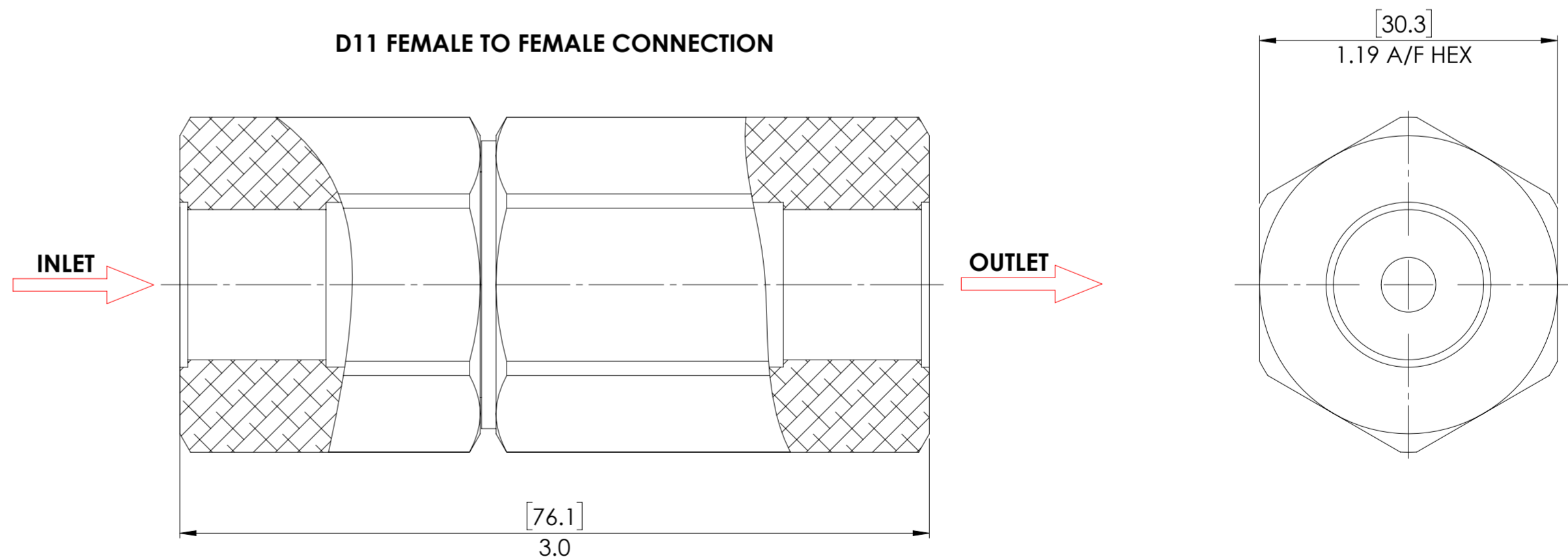
- WEIGHT: 0.1Kg (0.22Lb) MALE - MALE ALUMINIUM ALLOY
- ORIFICE DIAMETER: 5.5mm (0.22")
- OXYGEN SERVICE VERSION AVAILABLE
- SUITABLE FOR BOTH GAS AND LIQUID



D11 MALE TO MALE CONNECTION



D11 FEMALE TO FEMALE CONNECTION



© AND DESIGN RIGHT BIS Wells LTD. ALL RIGHTS RESERVED. WITHOUT THE PRIOR WRITTEN PERMISSION OF BIS Wells Ltd NO PART OF THIS DOCUMENT MAY BE ALTERED, ADAPTED, PUBLISHED, REPRODUCED OR TRANSMITTED IN ANY FORM OR MEDIUM.						UNLESS OTHERWISE SPECIFIED DIMENSIONS ARE IN INCHES 1. LINEAR TOLERANCES : ±0.1" 2. ANGULAR TOLERANCES : ± 2°				
DRAWN	N.DANIEL	SHEET	1 OF 1	 3RD ANGLE PROJECTION	DRAWING SIZE	A2	DRAWING SCALE	2:1	DRAWING NUMBER	DS0029
DATE	06/01/20	ISSUE	1							