

DATASHEET

DIRECTIONAL CONTROL VALVE (DCV): K47

MODEL CODE						
K47 -	1	1	AA	37P	N	NY

MODEL TYPE	
K47 -	K47 (3 POSITION PRESSURE BIASED DCV)

MAXIMUM INLET PRESSURE	
1	415 Bar (6,000 Psi)

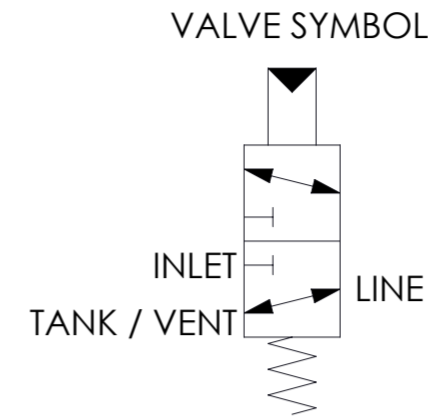
PILOT PRESSURE RANGE	
1	60 ~ 120 Psi (4.2 ~ 8.3 Bar)

MATERIAL	
AA	ALUMINIUM ALLOY
SS	STAINLESS STEEL
AB	ALUMINIUM BRONZE
BR	BRASS

SEAT MATERIAL	
NY	NYLON

SEALS	
N	NITRILE
V	VITON
OTHER MATERIALS AVAILABLE ON REQUEST	

PORTING	
25P	1/4" BSPP
25N	1/4" NPT
37P	3/8" BSPP
37N	3/8" NPT

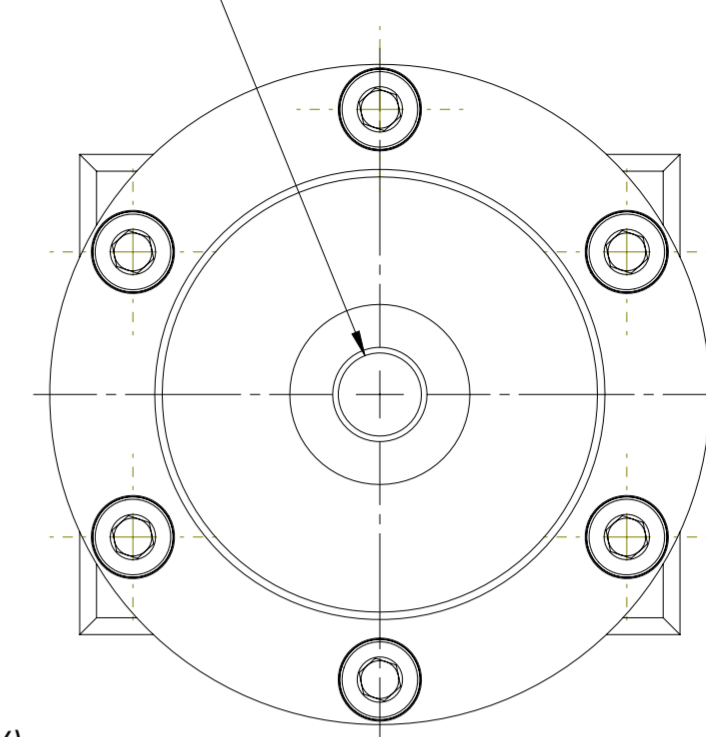


NON UNIVERSAL CONFIGURATION

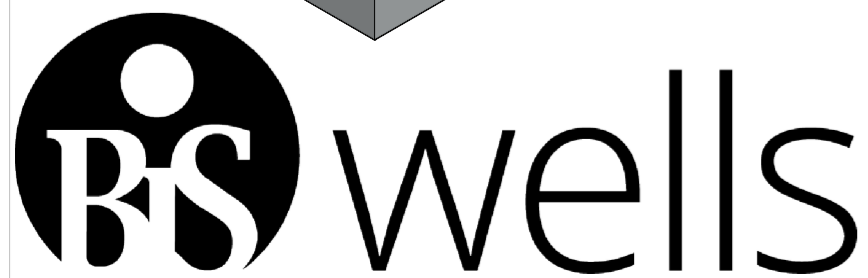
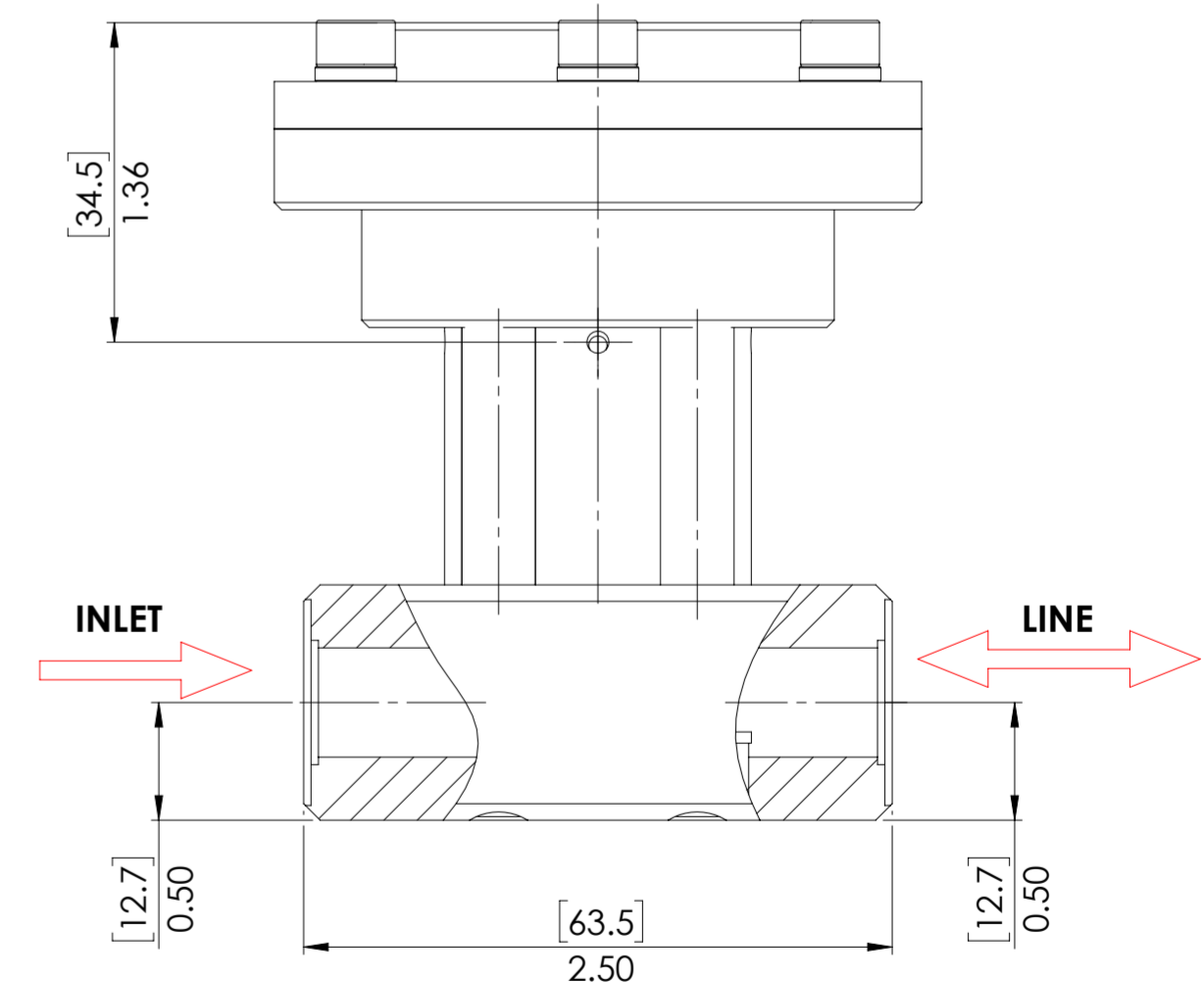
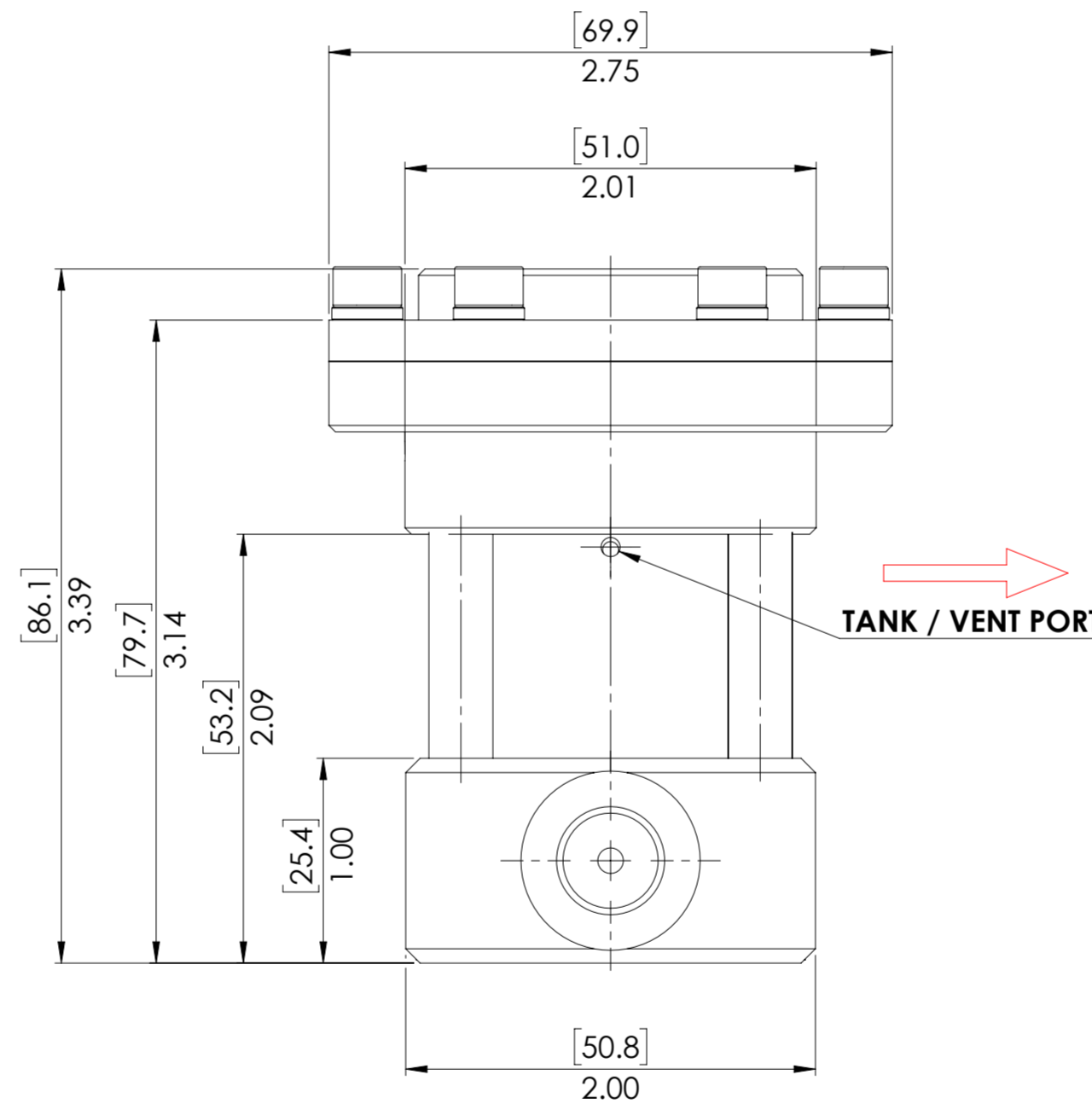
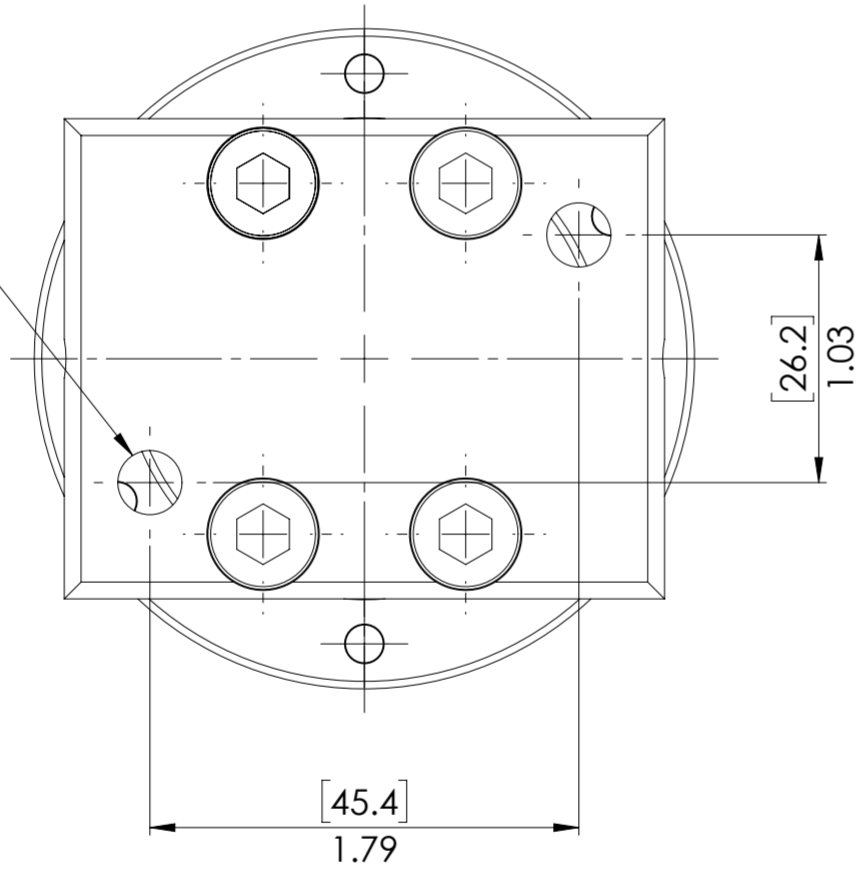
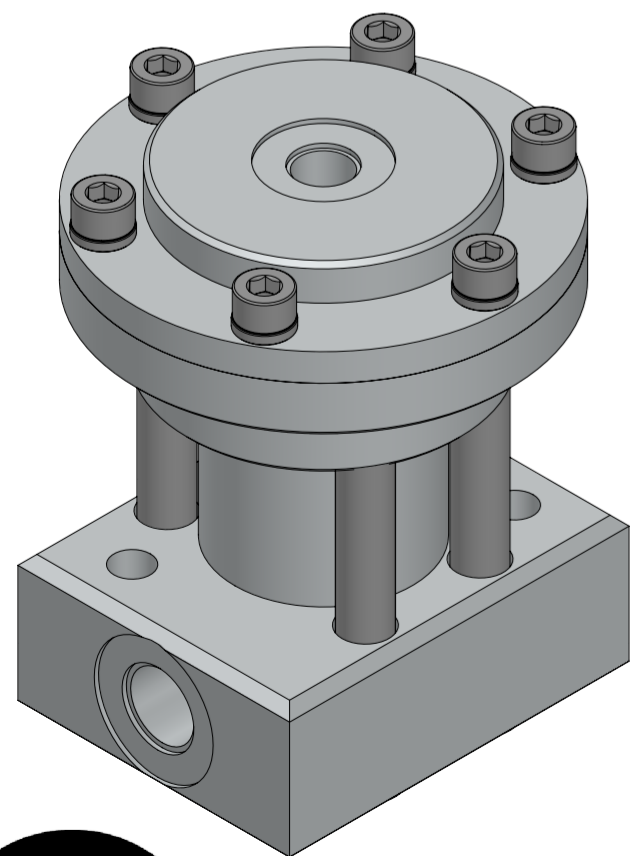
SPECIFICATION

- Cv: 0.06
- MEDIUM: GAS AND LIQUID
- PILOT MEDIUM: GAS AND LIQUID
- DRY WEIGHT: 0.5 kg (1.1 lb) (ALUMINIUM ALLOY)

PILOT PORT (1/8" BSPP)



2 OFF MOUNTING HOLES TO SUIT M8 SCREWS



© AND DESIGN RIGHT Bis Wells LTD. ALL RIGHTS RESERVED. WITHOUT THE PRIOR WRITTEN PERMISSION OF Bis Wells Ltd NO PART OF THIS DOCUMENT MAY BE ALTERED, ADAPTED, PUBLISHED, REPRODUCED OR TRANSMITTED IN ANY FORM OR MEDIUM.						UNLESS OTHERWISE SPECIFIED DIMENSIONS ARE IN INCHES 1. LINEAR TOLERANCES : ±0.1" 2. ANGULAR TOLERANCES : ±2°				
DRAWN	N.DANIEL	SHEET	1 OF 1	 3RD ANGLE PROJECTION	DRAWING SIZE	A2	DRAWING SCALE	1:1	DRAWING NUMBER	DS0032
DATE	22/01/20	ISSUE	1							