

# DATASHEET

## INLINE FILTER: F12

MODEL CODE					
F12 -	1	10M	A	37P	N

MODEL TYPE	
F12	INLINE FILTER

MAXIMUM WORKING PRESSURE	
1	4,000 Psi (160 Bar)
2	6,000 Psi (414 Bar)

FILTRATION	
5M	5 MICRON
10M	10 MICRON
25M	25 MICRON
37M	37 MICRON

SEAL MATERIAL	
N	NITRILE
V	VITON
OTHER MATERIALS AVAILABLE ON REQUEST	

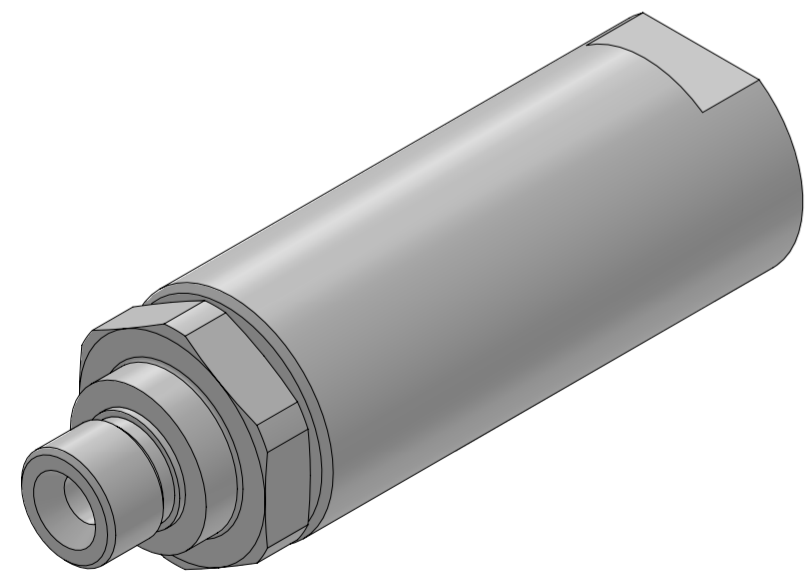
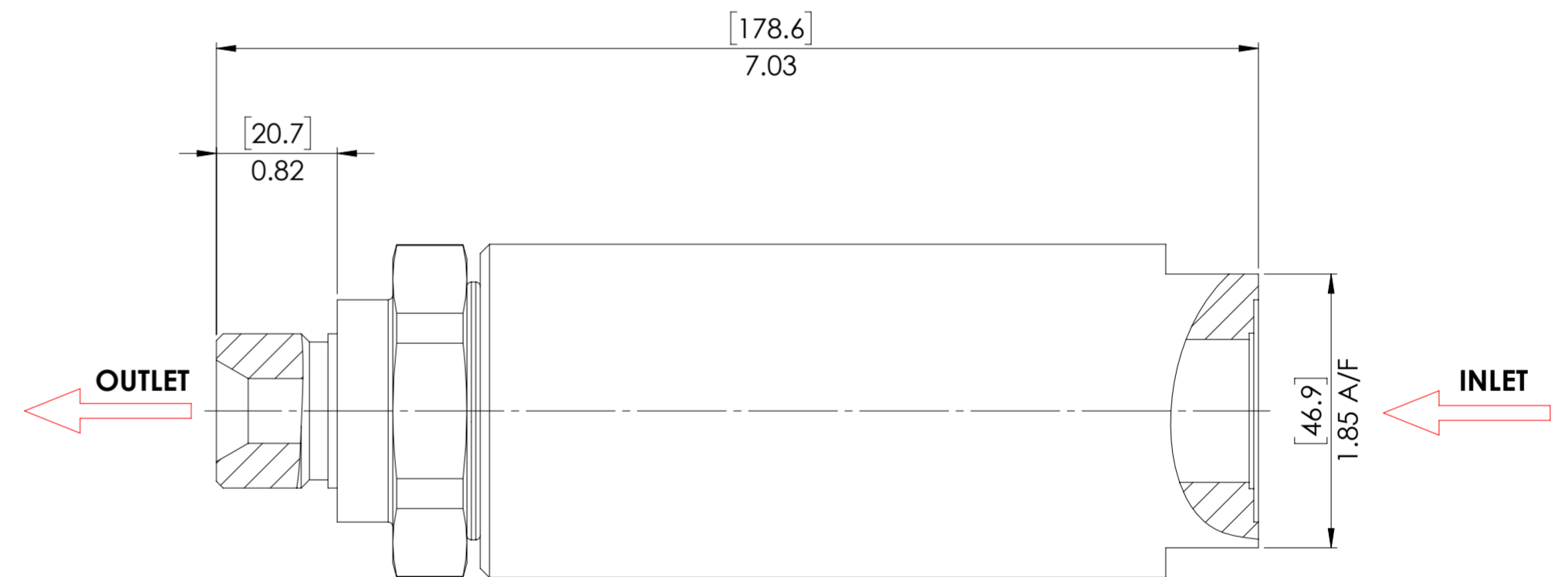
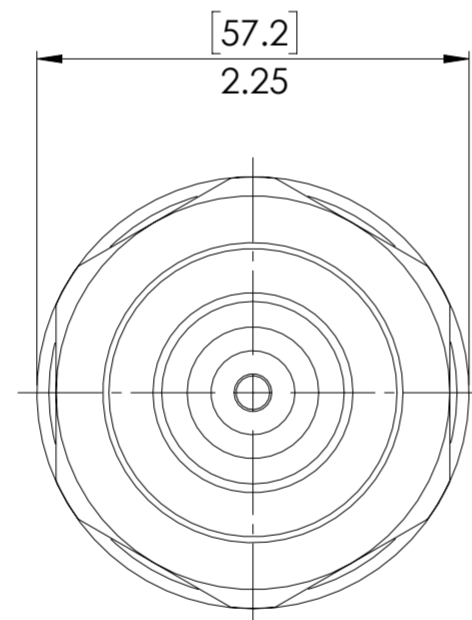
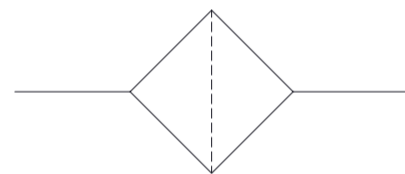
PORTS	
37P	3/8" BSPP
37N	3/8" NPT

MATERIAL	
A	ALUMINIUM
AB	ALUMINIUM BRONZE
BR	BRASS
SS	STAINLESS STEEL

### SPECIFICATION

- MEDIUM: GAS AND LIQUIDS
- DRY WEIGHT: 1.05 kg (2.3 lb) (ALUMINIUM)

FILTER SYMBOL



© AND DESIGN RIGHT Bis Wells LTD. ALL RIGHTS RESERVED. WITHOUT THE PRIOR WRITTEN PERMISSION OF Bis Wells Ltd NO PART OF THIS DOCUMENT MAY BE ALTERED, ADAPTED, PUBLISHED, REPRODUCED OR TRANSMITTED IN ANY FORM OR MEDIUM.				UNLESS OTHERWISE SPECIFIED DIMENSIONS ARE IN INCHES 1. LINEAR TOLERANCES : ±0.1" 2. ANGULAR TOLERANCES : ±2°						
DRAWN	N.DANIEL	SHEET	1 OF 1	3RD ANGLE PROJECTION	DRAWING SIZE	A2	DRAWING SCALE	1:2	DRAWING NUMBER	DS0034
DATE	10/02/20	ISSUE	1							