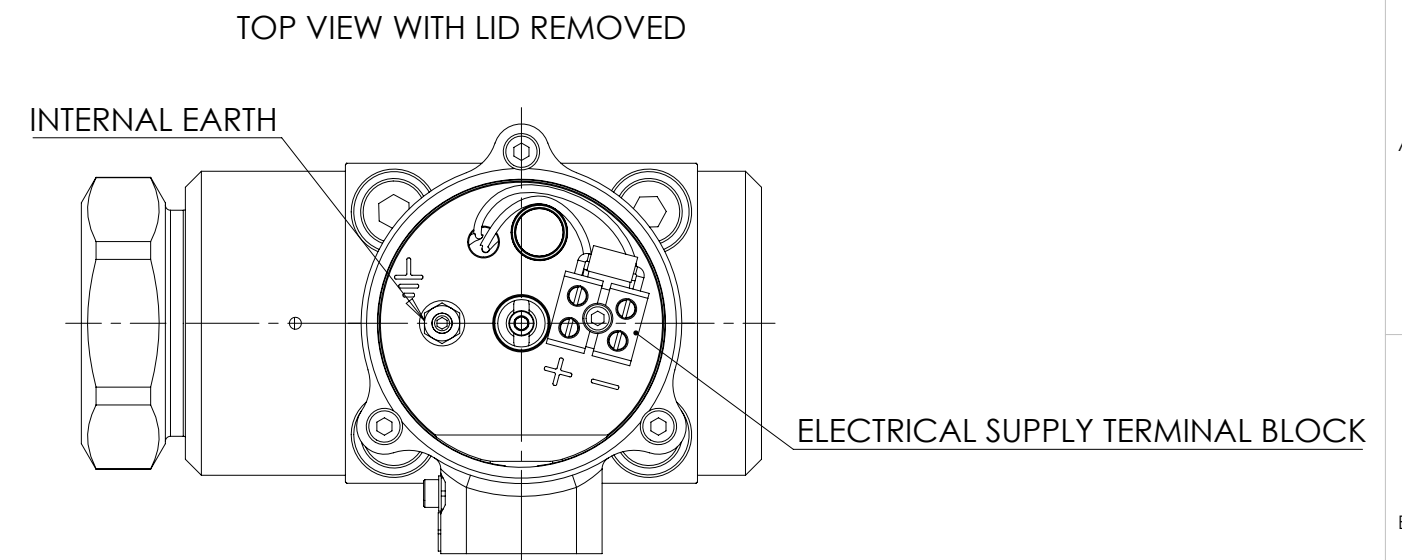


DATASHEET

SOLENOID VALVES: E50 AND E51

Model Code Structure - Standard Model Code in Red

Valve Model	Solenoid Model	Conduit	Voltage	Reset	Pressure	Port Type	Seal Material	Wetted Materials
E50- 2 Ported NC	SD Ex db Solenoid	1 M20 x 1.5	A 12 Vdc	A Automatic	60 6,000 Psi	75P 3/4" BSP	N Nitrile	SS/AL Stainless / Aluminium
E51- 2 Ported NO	SM Ex mb Solenoid	2 1/2" NPT	B 24 Vdc	O Over ride		75N 3/4" NPT	V Viton	SS/SS Stainless / Stainless
			C 48 Vdc	M Manual Reset		100P 1" BSP	S Silicone	SS/BR Stainless / Brass
			D 115 Vdc			100N 1" NPT	L Low Temp Nitrile	
			E 24 Vac					
			F 48 Vac					
			G 115 Vac					
			H 230 Vac					

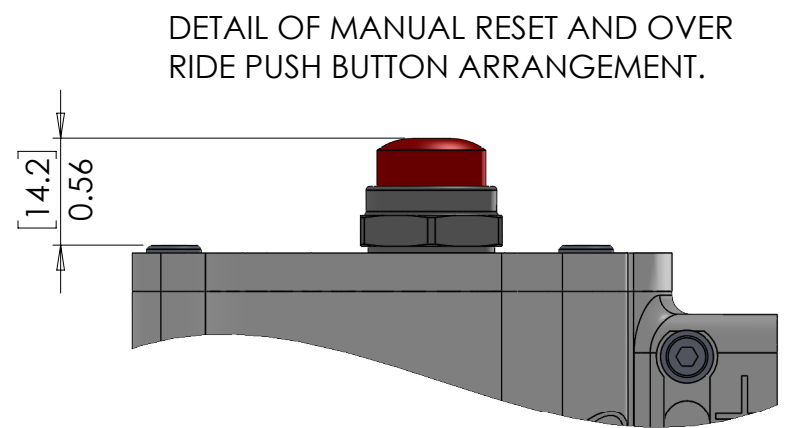


AMBIENT TEMPERATURE LIMITS			
Ex db IIC T4 Gb & T6 Gb and Ex fb IIC T4 Db & T6 Db			
SOLENOID SEAL MATERIAL	MIN Tamb (°C)	MAX Tamb (°C) (T4 135°C)	MAX Tamb (°C) (T6 85°C)
SILICON	-60	90	50
Ex mb IIC T4 Gb and Ex mb IIC T4 Db			
SOLENOID SEAL MATERIAL	MINIMUM Tamb (°C)	MAXIMUM Tamb (°C) (T4 135°C)	
SILICON	-40	60	

FLUID TEMPERATURE LIMITS		
VALVE SEAL MATERIAL	MINIMUM TEMPERATURE (°C)	MINIMUM TEMPERATURE (°C)
VITON	-10	120
NBR	-25	105
LNBR	-55	105
SILICONE	-60	120

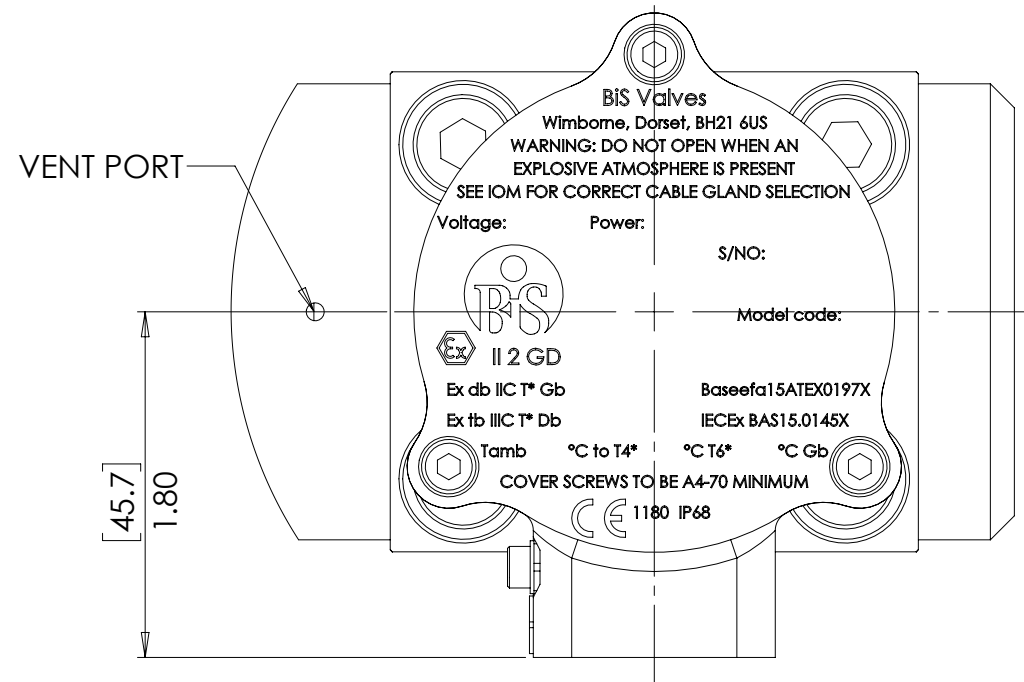
SPECIFICATION:

POWER RATING: 6 WATTS
 ORIFICE DIAMETER: 12.7mm (0.5")
 Cv: 3.0
 MINIMUM OPERATING PRESSURE: 150 Psi
 WEIGHT: 4.0 Kg
 IP RATING: IP68
 SUITABLE FOR GASSES AND LIQUIDS
 SURGE SUPPRESSION DIODE FITTED AS STANDARD

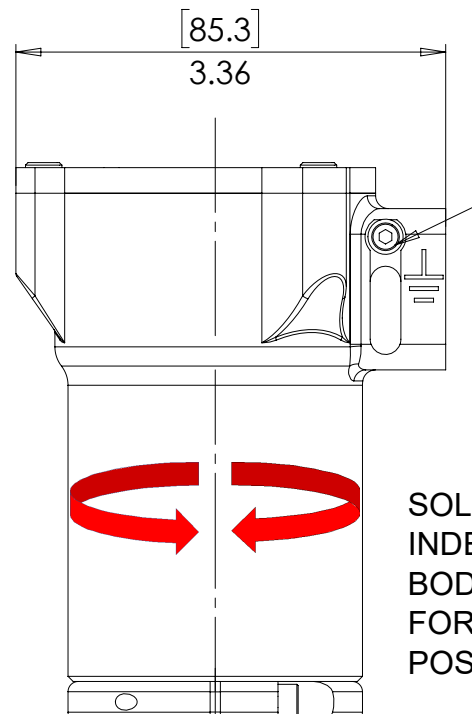


DETAIL OF MANUAL RESET AND OVER RIDE PUSH BUTTON ARRANGEMENT.

1/8" BSP VENT PORT. CAN BE LEFT OPEN TO ATMOSPHERE FOR NON HAZARDOUS GAS APPLICATIONS OR PIPED TO A SAFE AREA WHEN LIQUIDS OR HAZARDOUS GASSES ARE USED.

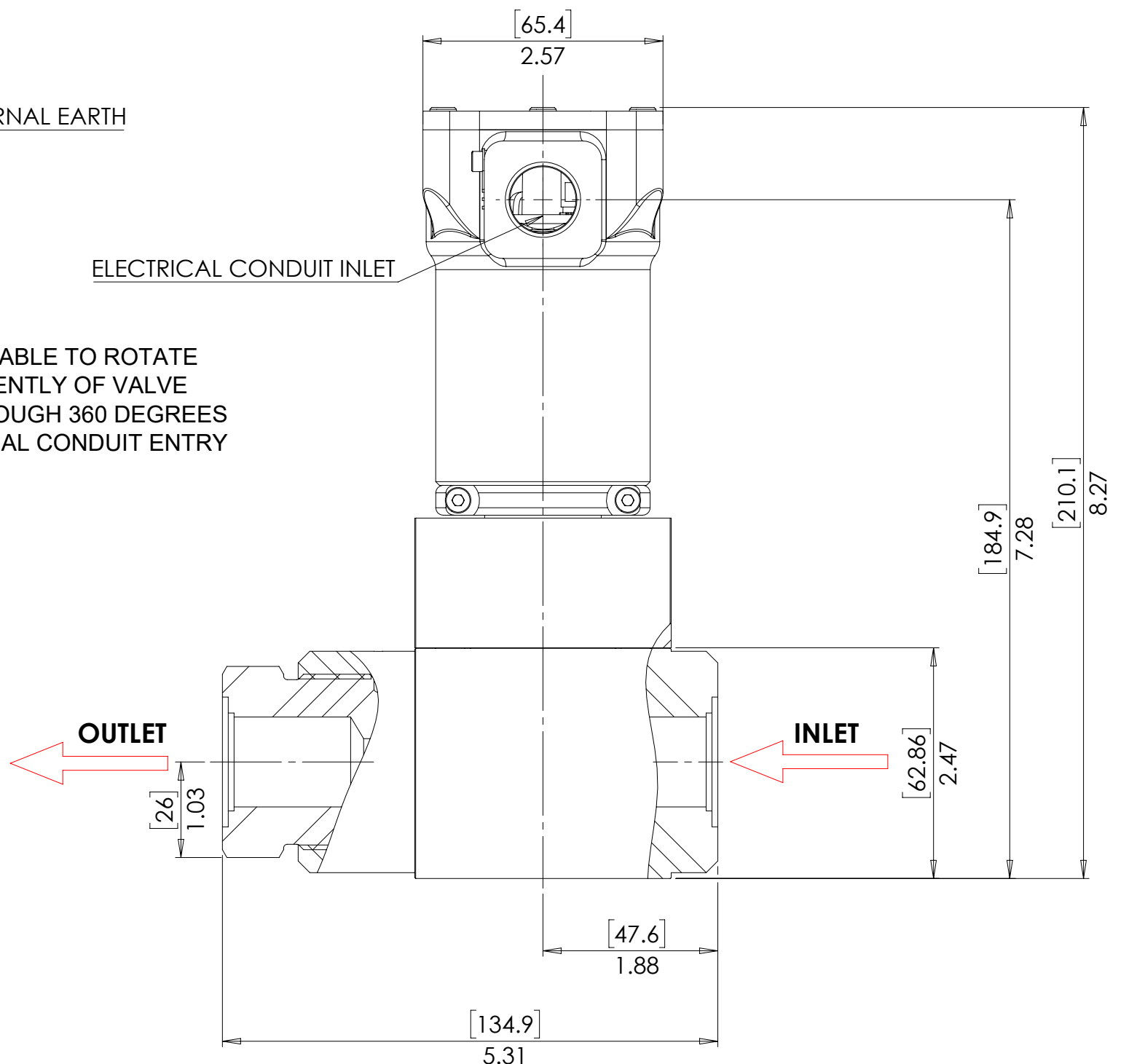


VENT PORT



EXTERNAL EARTH

SOLENOID ABLE TO ROTATE INDEPENDENTLY OF VALVE BODY THROUGH 360 DEGREES FOR OPTIMAL CONDUIT ENTRY POSITION.

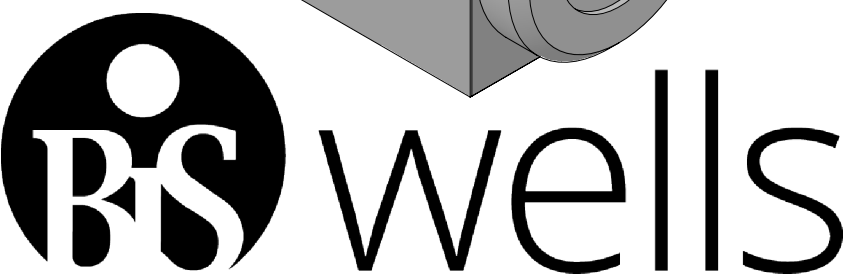
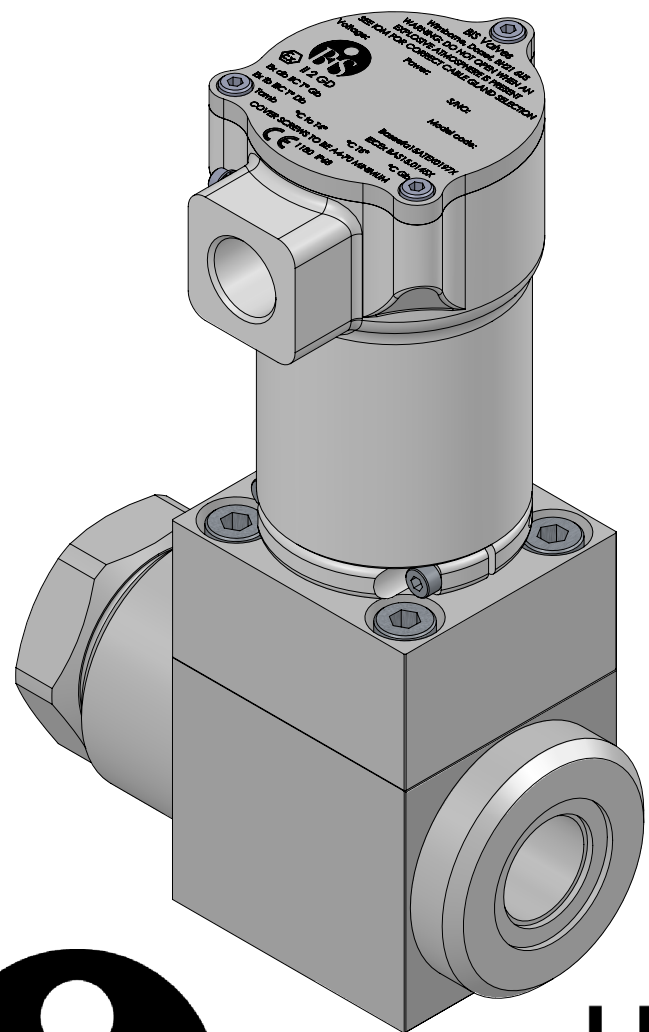


ELECTRICAL CONDUIT INLET

OUTLET

INLET

4 OFF MOUNTING HOLES. M8 x1.25 ∇0.75



© AND DESIGN RIGHT BIS Wells LTD. ALL RIGHTS RESERVED. WITHOUT THE PRIOR WRITTEN PERMISSION OF BIS Wells Ltd NO PART OF THIS DOCUMENT MAY BE ALTERED, ADAPTED, PUBLISHED, REPRODUCED OR TRANSMITTED IN ANY FORM OR MEDIUM.						UNLESS OTHERWISE SPECIFIED DIMENSIONS ARE IN INCHES 1. LINEAR TOLERANCES : ±0.1" 2. ANGULAR TOLERANCES : ±2°					
DRAWN	N.DANIEL	SHEET	1 OF 1	DRAWING SIZE	A2	DRAWING SCALE	2:3	DRAWING NUMBER	DS0036		
DATE	13/02/20	ISSUE	3	3RD ANGLE PROJECTION							