

# DATASHEET

## SOLENOID VALVES: E56 AND E57

Model Code Structure - Standard Model Code in Red

Valve Model	Solenoid Model	Conduit	Voltage	Reset	Pressure	Port Type	Seal Material	Wetted Materials
<b>E56-</b> 3 Ported NC	<b>SD</b> Ex db Solenoid	<b>1</b> M20 x 1.5	<b>A</b> 12 Vdc	<b>A</b> Automatic	<b>60</b> 6,000 Psi	<b>75P</b> 3/4" BSP	<b>N</b> Nitrile	<b>SS/AL</b> Stainless / Aluminium
<b>E57-</b> 3 Ported NO	<b>SM</b> Ex mb Solenoid	<b>2</b> 1/2" NPT	<b>B</b> 24 Vdc	<b>O</b> Over ride		<b>75N</b> 3/4" NPT	<b>V</b> Viton	<b>SS/SS</b> Stainless / Stainless
			<b>C</b> 48 Vdc	<b>M</b> Manual Reset		<b>100P</b> 1" BSP	<b>S</b> Silicone	<b>SS/BR</b> Stainless / Brass
			<b>D</b> 115 Vdc			<b>100N</b> 1" NPT	<b>L</b> Low Temp Nitrile	
			<b>E</b> 24 Vac					
			<b>F</b> 48 Vac					
			<b>G</b> 115 Vac					
			<b>H</b> 230 Vac					

### AMBIENT TEMPERATURE LIMITS

Ex db IIC T4 Gb & T6 Gb and Ex tb IIC T4 Db & T6 Db

SOLENOID SEAL MATERIAL	MIN Tamb (°C)	MAX Tamb (°C) (T4 135°C)	MAX Tamb (°C) (T6 85°C)
SILICON	-60	90	50

Ex mb IIC T4 Gb and Ex mb IIC T4 Db

SOLENOID SEAL MATERIAL	MINIMUM Tamb (°C)	MAXIMUM Tamb (°C) (T4 135°C)
SILICON	-40	60

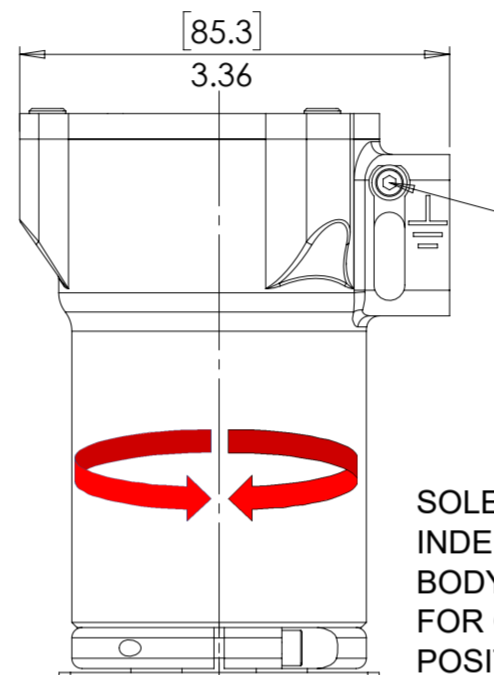
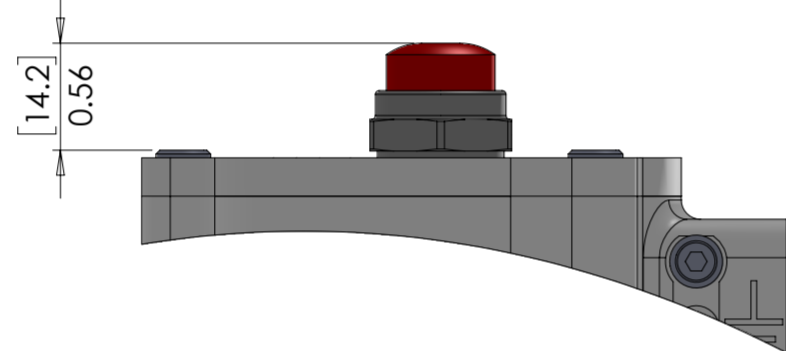
### FLUID TEMPERATURE LIMITS

VALVE SEAL MATERIAL	MINIMUM TEMPERATURE (°C)	MINIMUM TEMPERATURE (°C)
VITON	-10	120
NBR	-25	105
LNBR	-55	105
SILICONE	-60	120

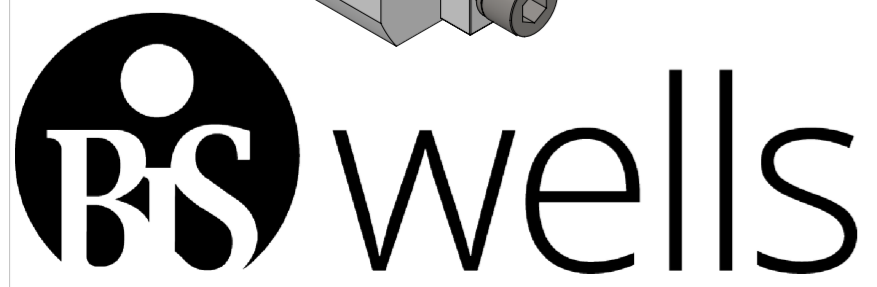
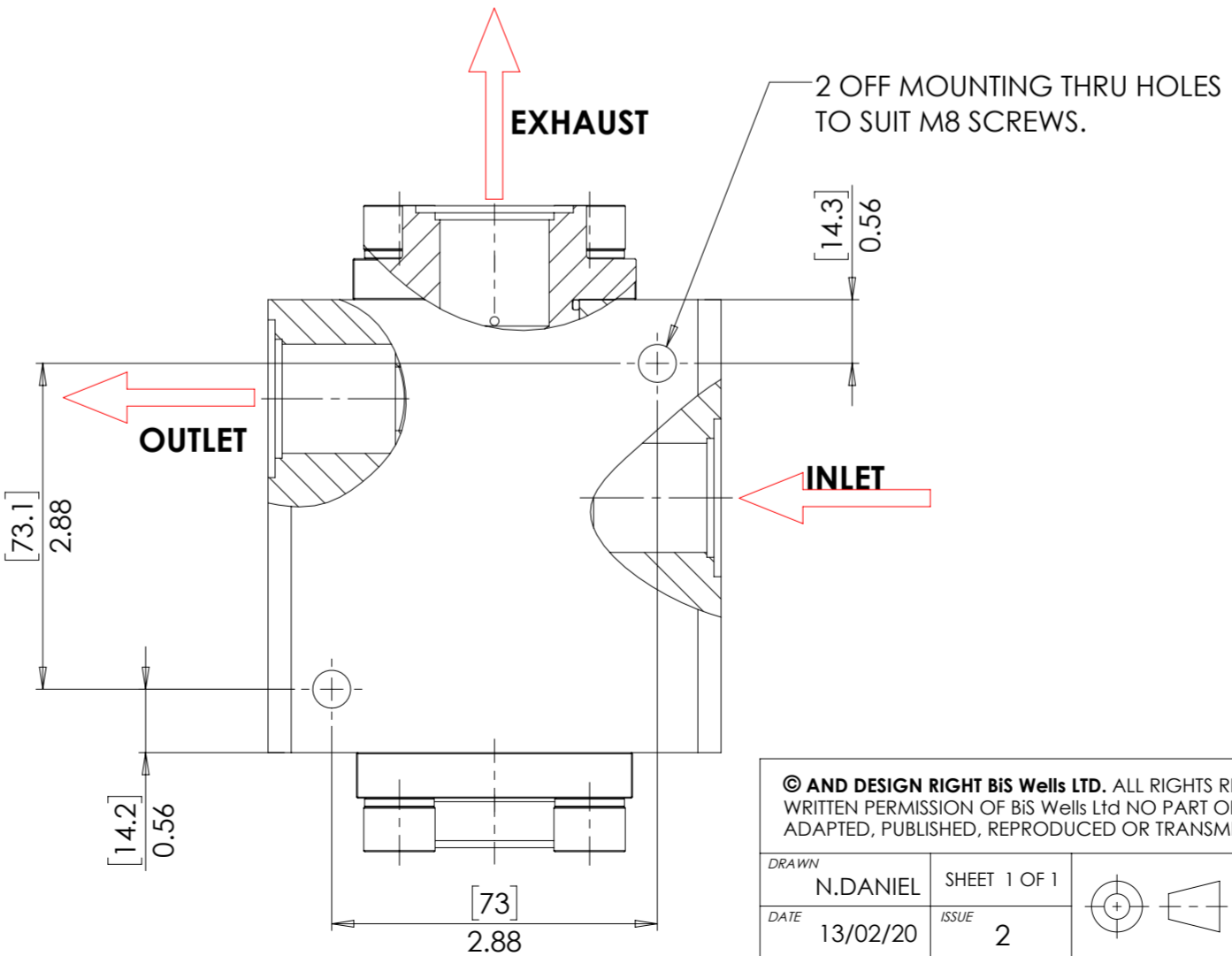
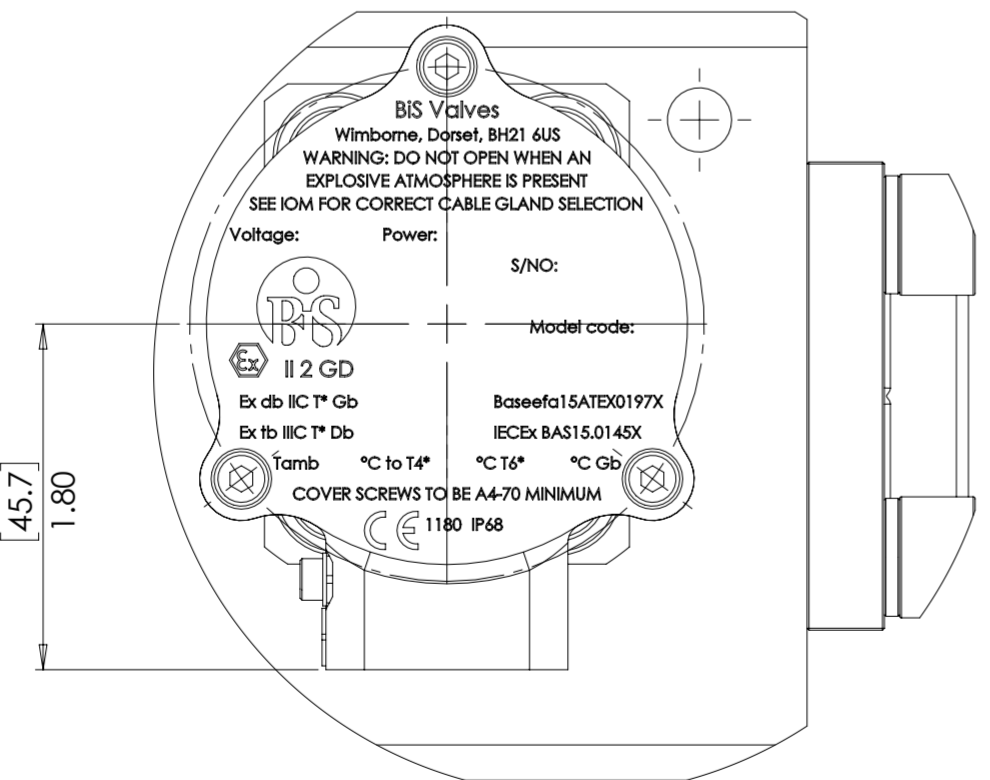
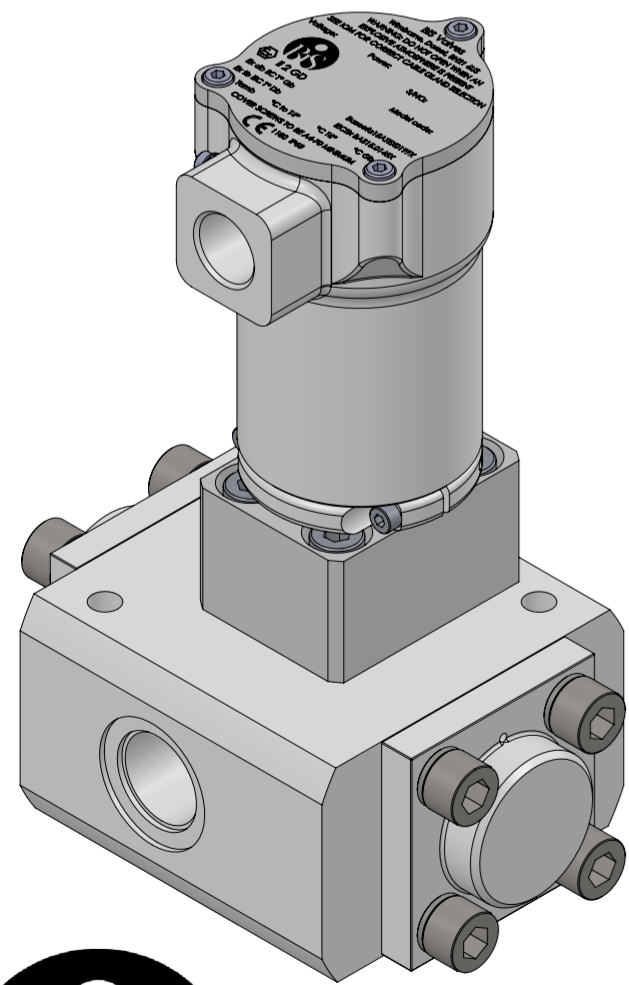
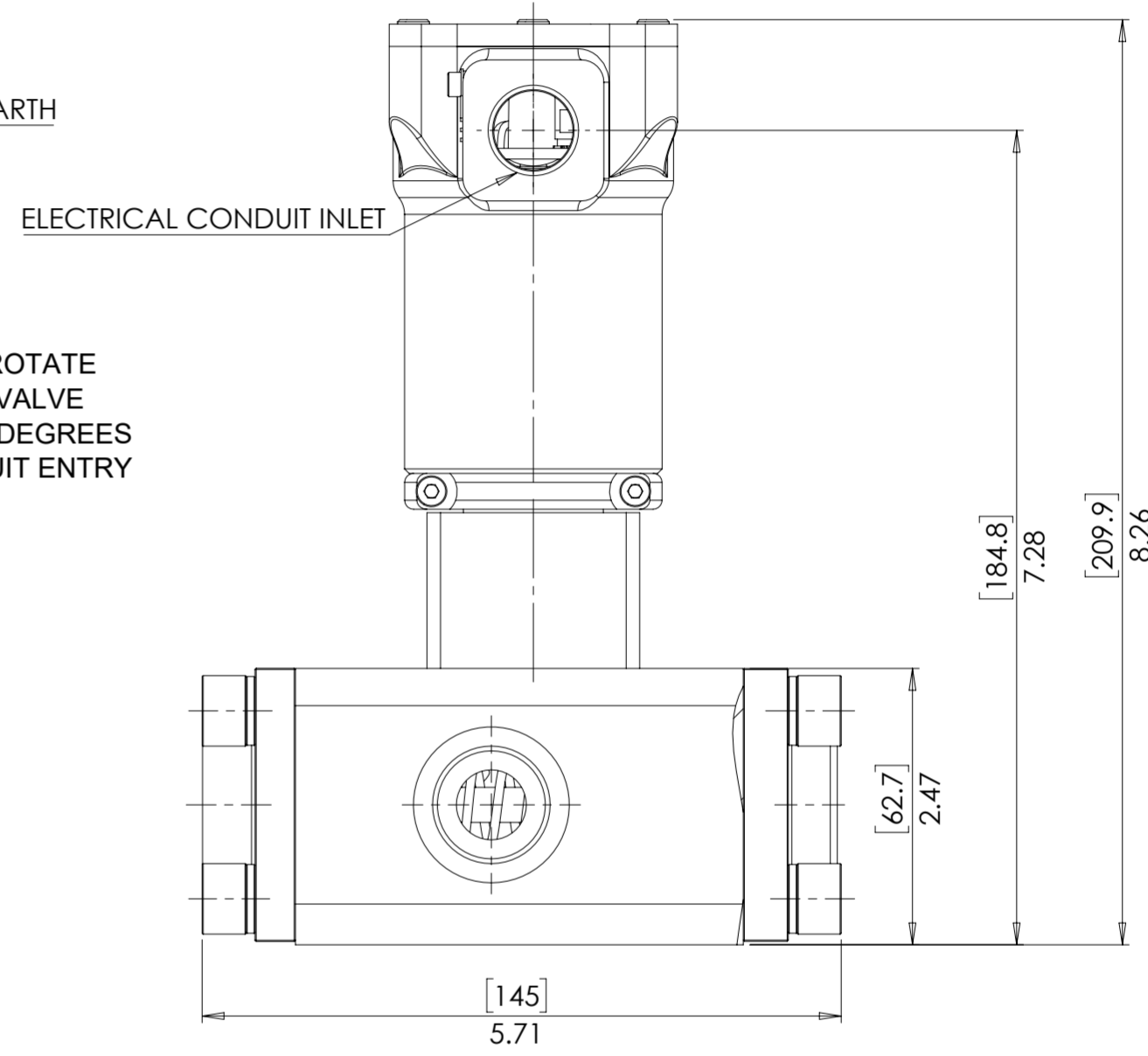
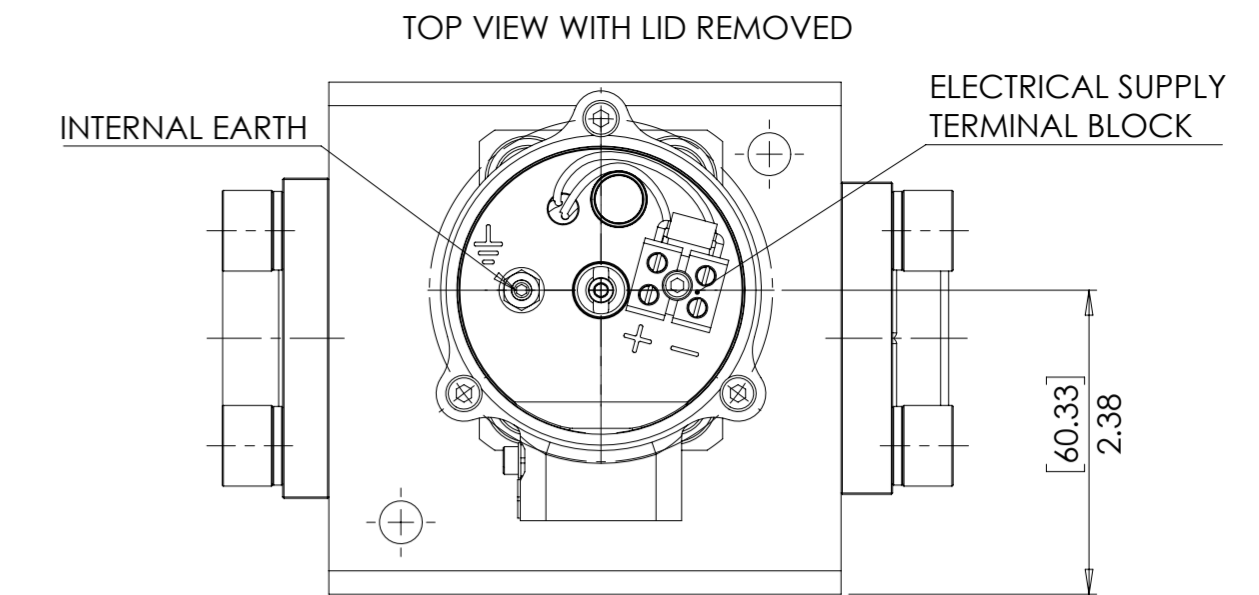
### SPECIFICATION:

POWER RATING: 6 WATTS  
 ORIFICE DIAMETER: 12.7mm (0.5")  
 Cv: 3.0  
 MINIMUM OPERATING PRESSURE: 150 Psi  
 WEIGHT: 5.2 Kg  
 IP RATING: IP68  
 SURGE SUPPRESSION DIODE FITTED AS STANDARD

DETAIL OF MANUAL RESET AND OVER RIDE PUSH BUTTON ARRANGEMENT.



SOLENOID ABLE TO ROTATE INDEPENDENTLY OF VALVE BODY THROUGH 360 DEGREES FOR OPTIMAL CONDUIT ENTRY POSITION.



© AND DESIGN RIGHT BIS WELLS LTD. ALL RIGHTS RESERVED. WITHOUT THE PRIOR WRITTEN PERMISSION OF BIS WELLS LTD NO PART OF THIS DOCUMENT MAY BE ALTERED, ADAPTED, PUBLISHED, REPRODUCED OR TRANSMITTED IN ANY FORM OR MEDIUM.

UNLESS OTHERWISE SPECIFIED DIMENSIONS ARE IN INCHES  
 1. LINEAR TOLERANCES : ±0.1"  
 2. ANGULAR TOLERANCES : ±2°

DRAWN	N.DANIEL	SHEET 1 OF 1	3RD ANGLE PROJECTION	DRAWING SIZE	A2	DRAWING SCALE	2:3	DRAWING NUMBER	DS0037
DATE	13/02/20	ISSUE		2					