

DATASHEET

DIRECTIONAL CONTROL VALVE (DCV): K48

MODEL CODE						
K48 -	1	1	AA	37P	N	NY

MODEL TYPE	
K48 -	K48 (3 POSITION PRESSURE BIASED DCV)

MAXIMUM INLET PRESSURE	
1	415 Bar (6,000 Psi)

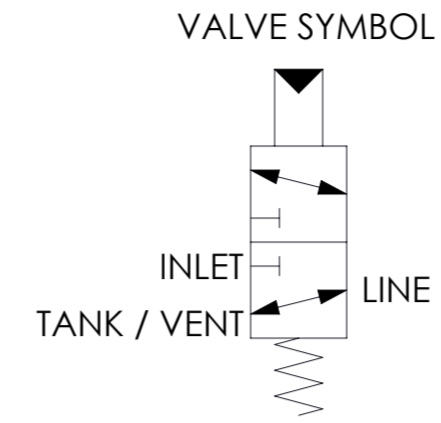
PILOT PRESSURE RANGE	
1	60 ~ 120 Psi (4.2 ~ 8.3 Bar)

MATERIAL	
AA	ALUMINIUM ALLOY
SS	STAINLESS STEEL
AB	ALUMINIUM BRONZE
BR	BRASS

SEAT MATERIAL	
NY	NYLON

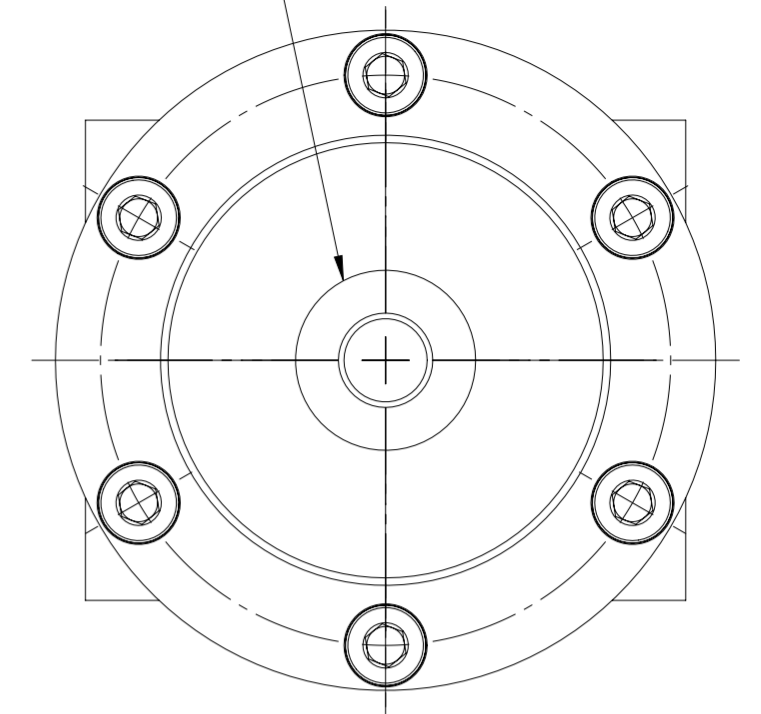
SEALS	
N	NITRILE
V	VITON
OTHER MATERIALS AVAILABLE ON REQUEST	

PORTING	
25P	1/4" BSPP
25N	1/4" NPT
37P	3/8" BSPP
37N	3/8" NPT



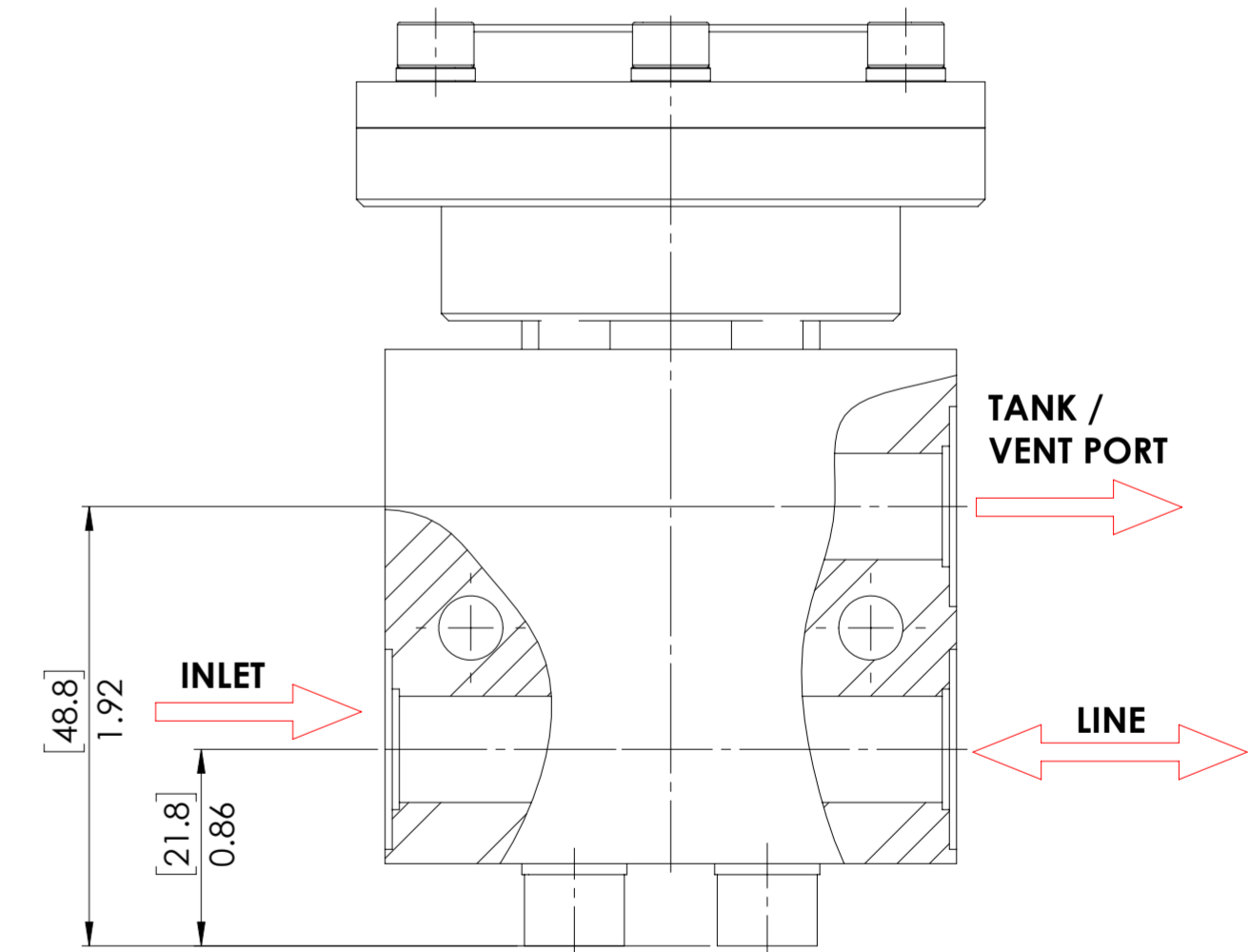
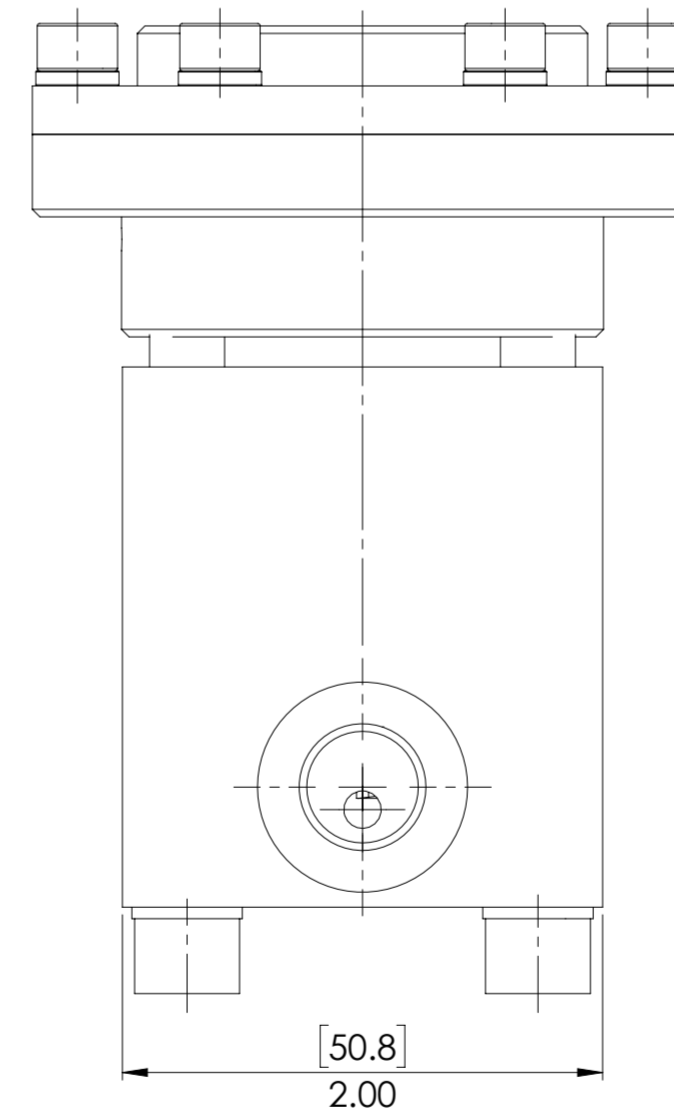
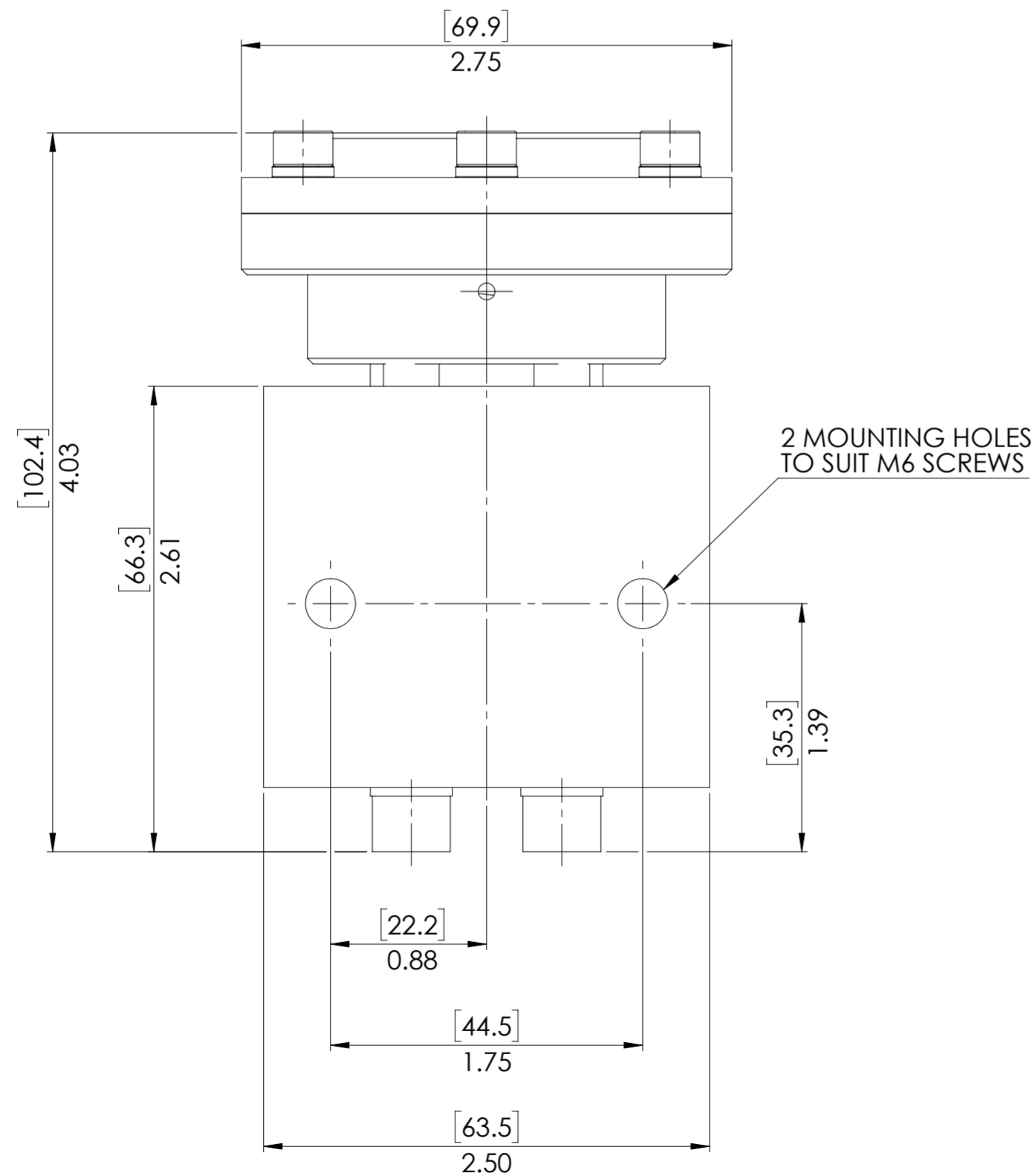
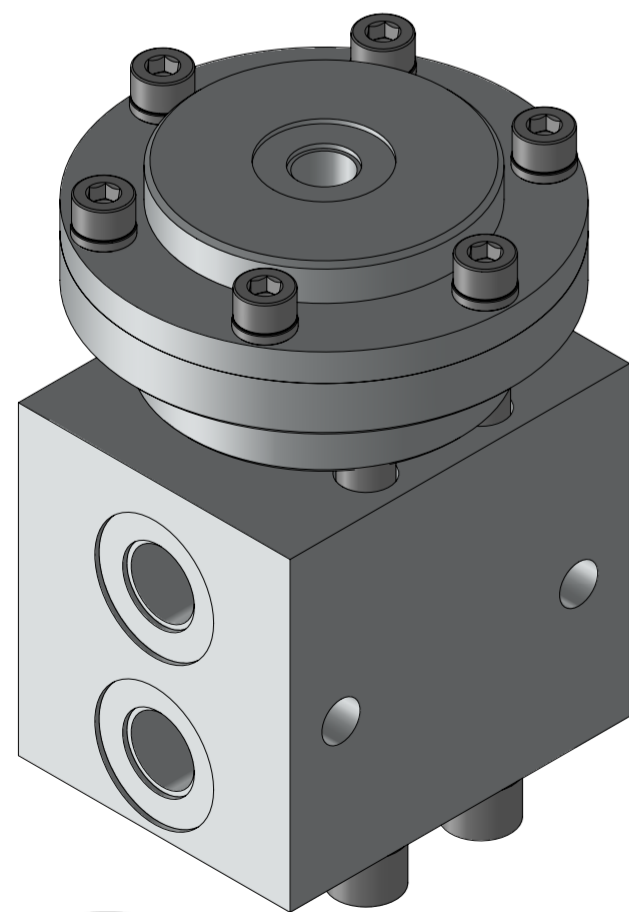
NON UNIVERSAL CONFIGURATION

PILOT PORT (1/8" BSPP)



SPECIFICATION

- Cv: 0.15
- MEDIUM: GAS AND LIQUID
- PILOT MEDIUM: GAS AND LIQUID
- DRY WEIGHT: 0.65 kg (1.43 lb) (ALUMINIUM ALLOY)



© AND DESIGN RIGHT BIS WELLS LTD. ALL RIGHTS RESERVED. WITHOUT THE PRIOR WRITTEN PERMISSION OF BIS WELLS LTD NO PART OF THIS DOCUMENT MAY BE ALTERED, ADAPTED, PUBLISHED, REPRODUCED OR TRANSMITTED IN ANY FORM OR MEDIUM.				UNLESS OTHERWISE SPECIFIED DIMENSIONS ARE IN INCHES 1. LINEAR TOLERANCES : ±0.1" 2. ANGULAR TOLERANCES : ±2°						
DRAWN	N.DANIEL	SHEET	1 OF 1	 3RD ANGLE PROJECTION	DRAWING SIZE	A2	DRAWING SCALE	1:1	DRAWING NUMBER	DS0039
DATE	19/02/20	ISSUE	1							