

DATASHEET

DIRECTIONAL CONTROL VALVE (DCV): K55 & K55S

MODEL CODE						
K55 -	1	1	AA	50P	N	NY

MODEL TYPE	
K55 -	K55 (2 POSITION PRESSURE BIASED DCV) NORMALLY CLOSED
K55S	K55S (2 POSITION PRESSURE BIASED DCV) NORMALLY CLOSED. HIGH FLOW

MAXIMUM INLET PRESSURE	
1	450 Bar (6,500 Psi)

PILOT PRESSURE RANGE	
1	80 ~ 120 Psi (5.5 ~ 8.3 Bar)
2	60 ~ 120 Psi (4.2 ~ 8.3 Bar)

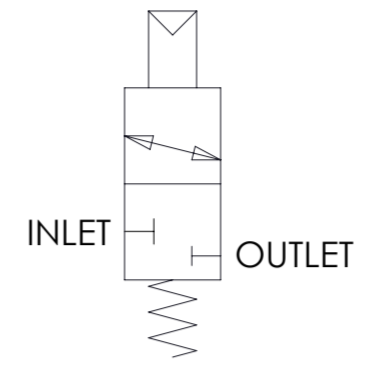
MATERIAL	
AA	ALUMINIUM ALLOY
SS	STAINLESS STEEL
AB	ALUMINIUM BRONZE
BR	BRASS

SEAT MATERIAL	
NY	NYLON

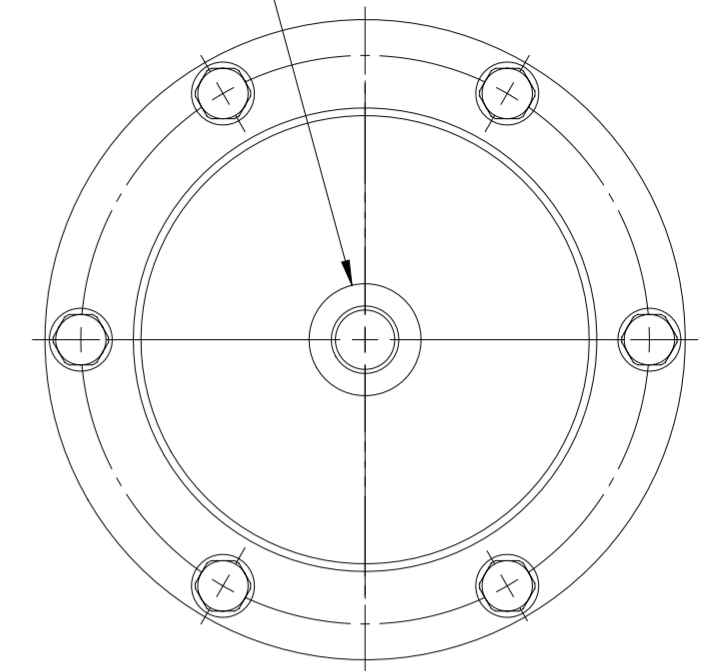
SEALS	
N	NITRILE
V	VITON
OTHER MATERIALS AVAILABLE ON REQUEST	

PORTING	
50P	1/2" BSPP
50N	1/2" NPT

VALVE SYMBOL

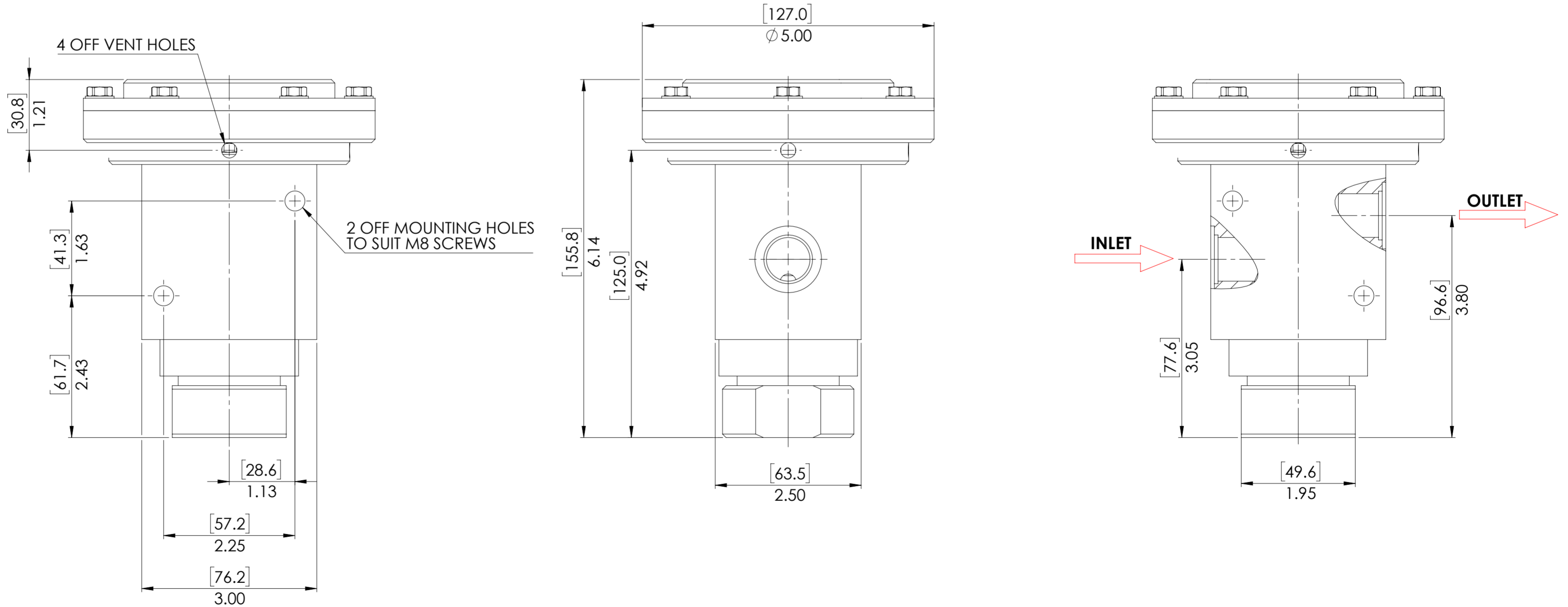
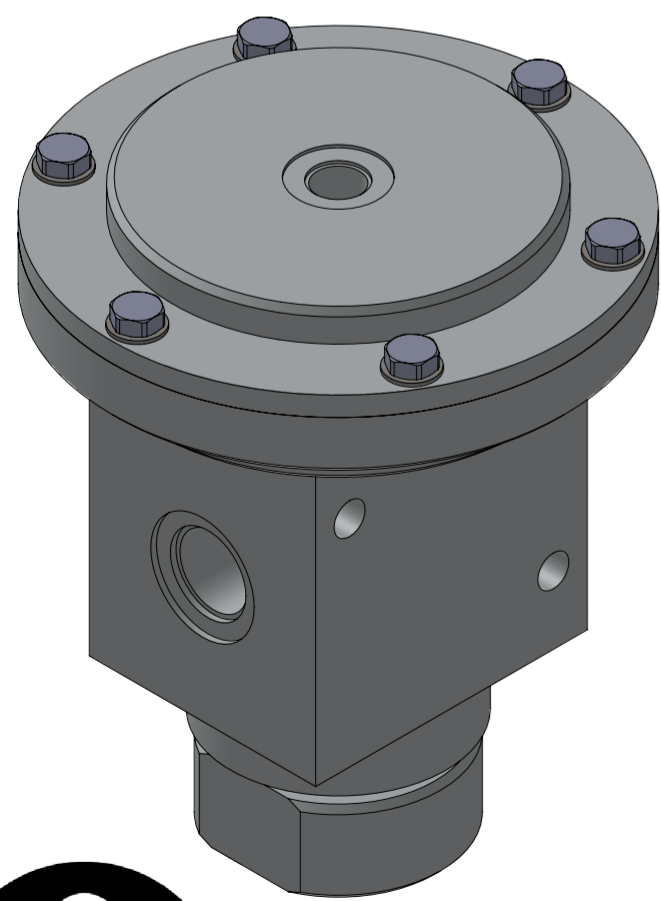


PILOT PORT (1/4" BSPP)



SPECIFICATION

- Cv: **K55**: 2.1. **K55S**: 3.0.
- MEDIUM: GAS AND LIQUID
- 2 PORT 2 POSITION (2/2)
- PRESSURE BIASED
- NORMALLY CLOSED
- PILOT MEDIUM: GAS AND LIQUID
- DRY WEIGHT: 2.1 kg (4.62 lb) (ALUMINIUM ALLOY)



© AND DESIGN RIGHT Bis Wells LTD. ALL RIGHTS RESERVED. WITHOUT THE PRIOR WRITTEN PERMISSION OF Bis Wells Ltd NO PART OF THIS DOCUMENT MAY BE ALTERED, ADAPTED, PUBLISHED, REPRODUCED OR TRANSMITTED IN ANY FORM OR MEDIUM.				UNLESS OTHERWISE SPECIFIED DIMENSIONS ARE IN INCHES 1. LINEAR TOLERANCES : ±0.1" 2. ANGULAR TOLERANCES : ±2°						
DRAWN	N.DANIEL	SHEET	1 OF 1	 3RD ANGLE PROJECTION	DRAWING SIZE	A2	DRAWING SCALE	2:3	DRAWING NUMBER	DS0042
DATE	24/02/20	ISSUE	1							