

DATASHEET

NON RETURN VALVE (NRV): D13

MODEL CODE				
D13 -	1	A	75PM	N

MODEL TYPE
D13 - NON RETURN VALVE

SEAL MATERIAL	
N	NITRILE
V	VITON

MAXIMUM INLET PRESSURE
1 6,000 Psi (415 Bar)

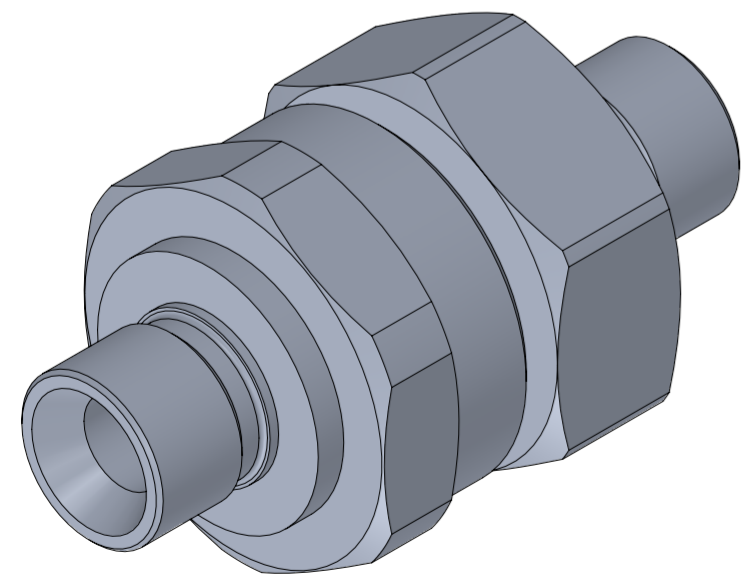
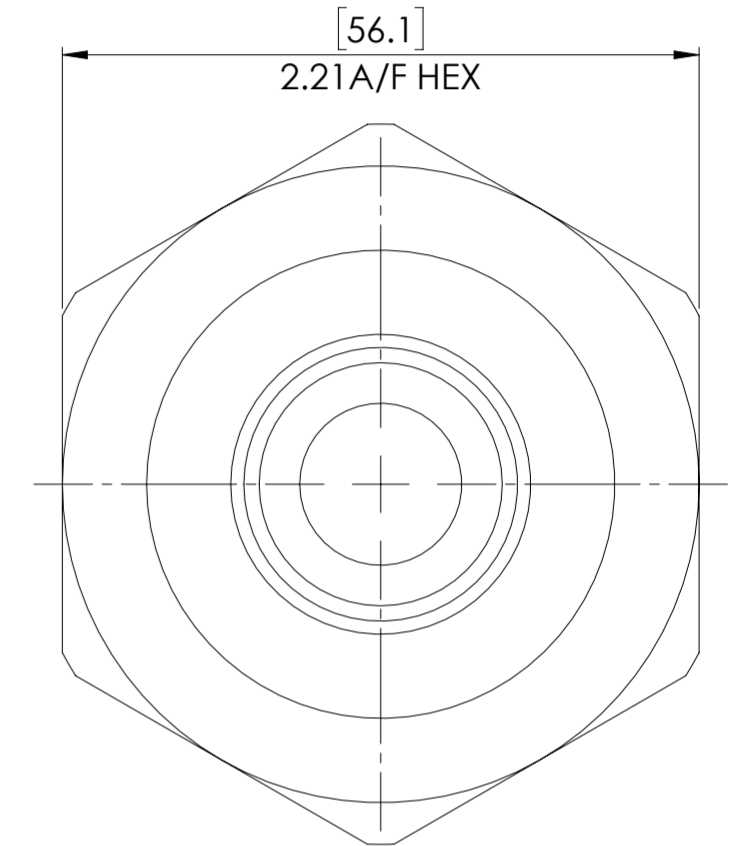
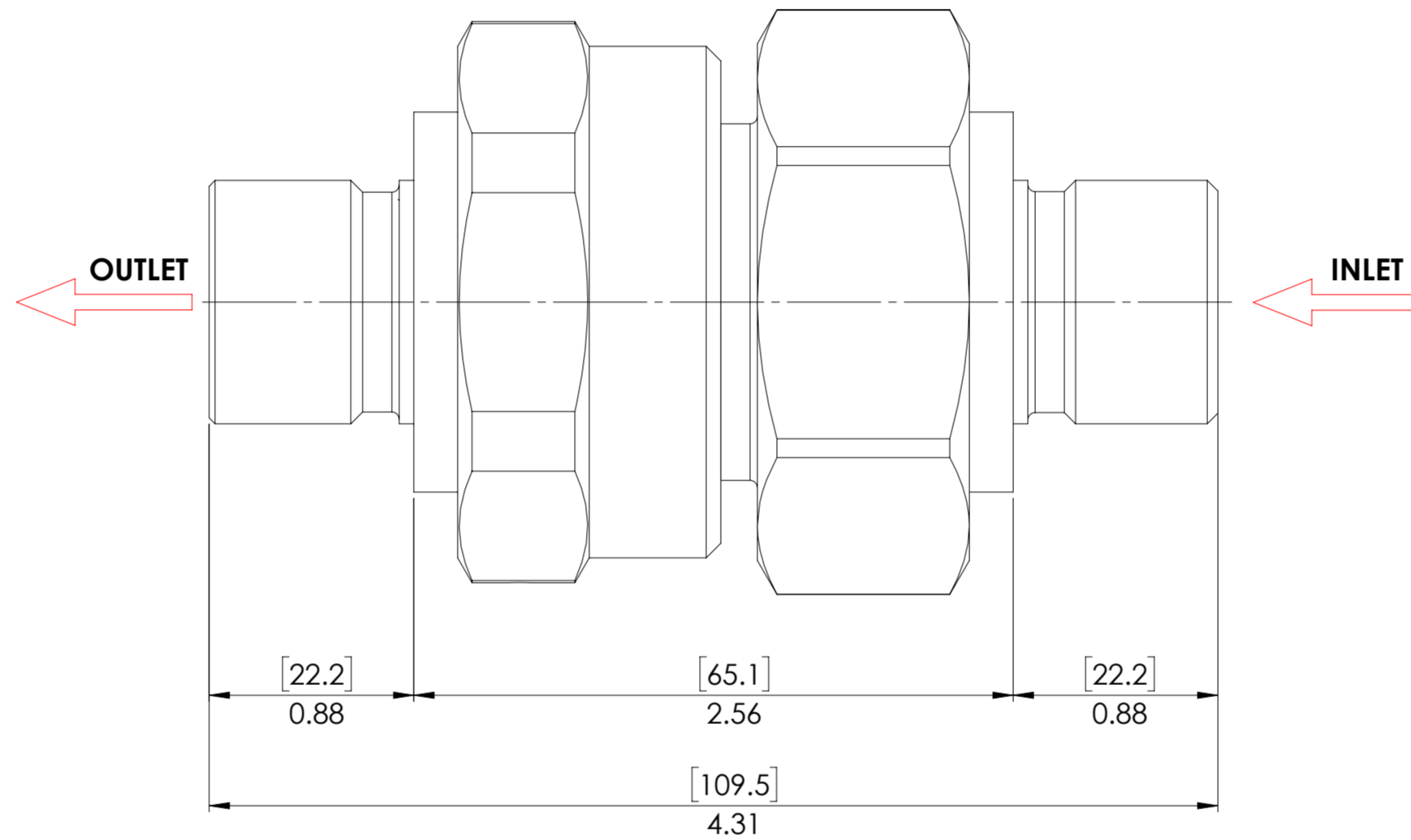
PORTS	
75PM	3/4" BSPP MALE CONNECTION
75PF	3/4" BSPP FEMALE CONNECTION

MATERIAL	
A	ALUMINIUM
AB	ALUMINIUM BRONZE
BR	BRASS
SS	STAINLESS STEEL

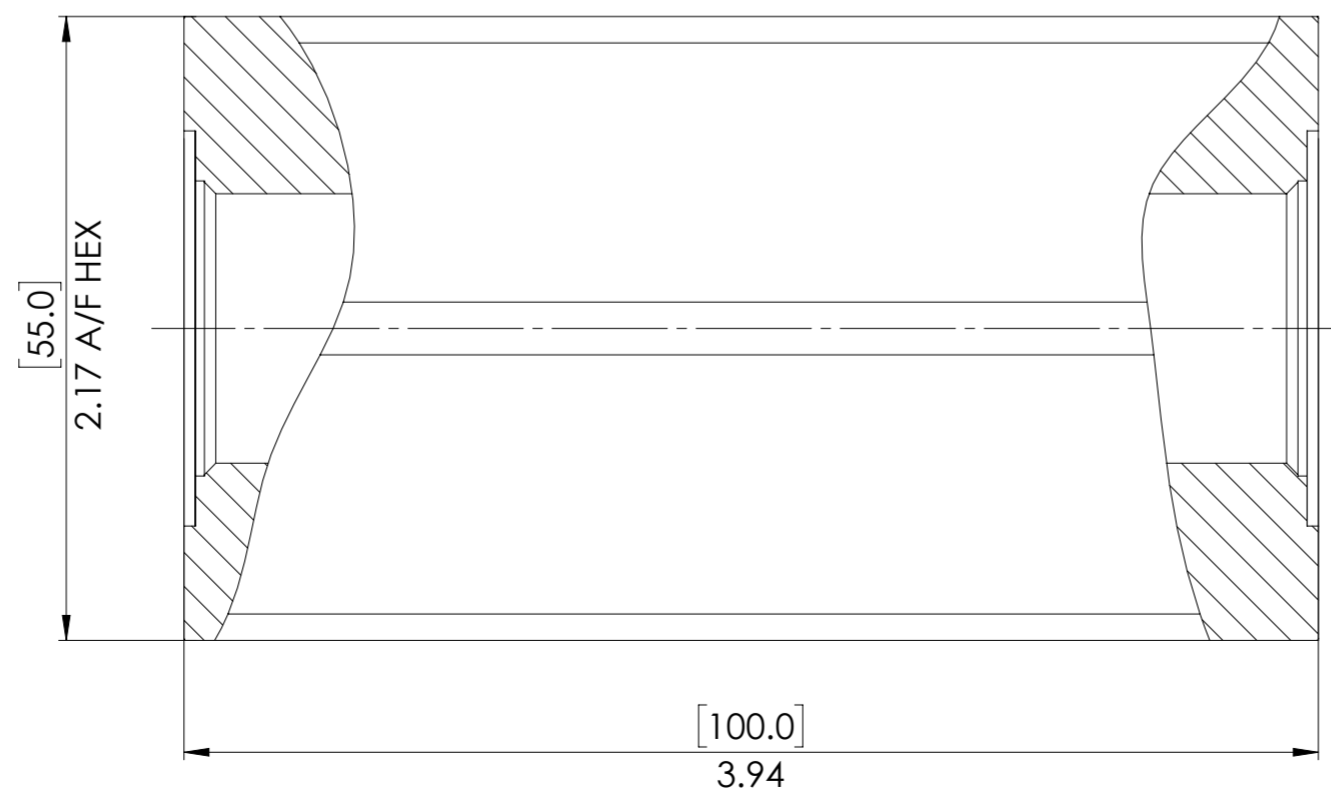
SPECIFICATION

- WEIGHT: 0.38Kg (0.84lb) ALUMINIUM ALLOY
- ORIFICE DIAMETER: 14.3mm (0.56")
- OXYGEN SERVICE VERSION AVAILABLE
- SUITABLE FOR BOTH GAS AND LIQUID

FOR OXYGEN SERVICE
SPECIFY: D13OX



ALTERNATIVE D13 VALVE WITH FEMALE CONNECTION



© AND DESIGN RIGHT Bis Wells LTD. ALL RIGHTS RESERVED. WITHOUT THE PRIOR WRITTEN PERMISSION OF Bis Wells Ltd NO PART OF THIS DOCUMENT MAY BE ALTERED, ADAPTED, PUBLISHED, REPRODUCED OR TRANSMITTED IN ANY FORM OR MEDIUM.				UNLESS OTHERWISE SPECIFIED DIMENSIONS ARE IN INCHES 1. LINEAR TOLERANCES : ±0.1" 2. ANGULAR TOLERANCES : ±2°						
DRAWN	N.DANIEL	SHEET	1 OF 1	 3RD ANGLE PROJECTION	DRAWING SIZE	A2	DRAWING SCALE	1:1	DRAWING NUMBER	DS0043
DATE	25/02/20	ISSUE	1							