

DATASHEET

RELIEF VALVES: C12 SERIES

MODEL CODE						
C12-	1	1	SS	37P	N	NY

MODEL TYPE	
C12	RELIEF VALVE

MAXIMUM INLET PRESSURE	
1	4,000 Psi (275 Bar)

SET PRESSURE RANGE	
1	500 ~ 4,000 Psi (35 ~ 275 Bar)

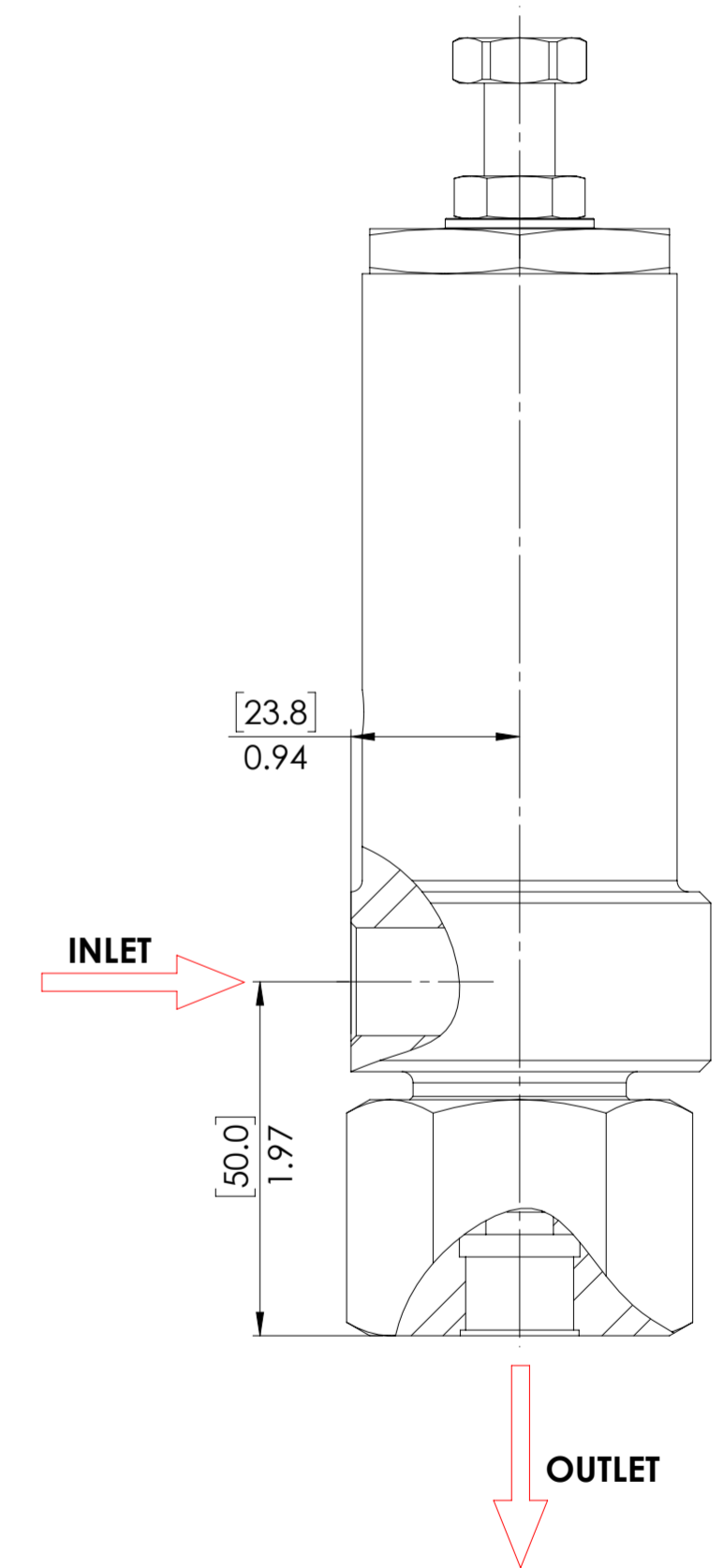
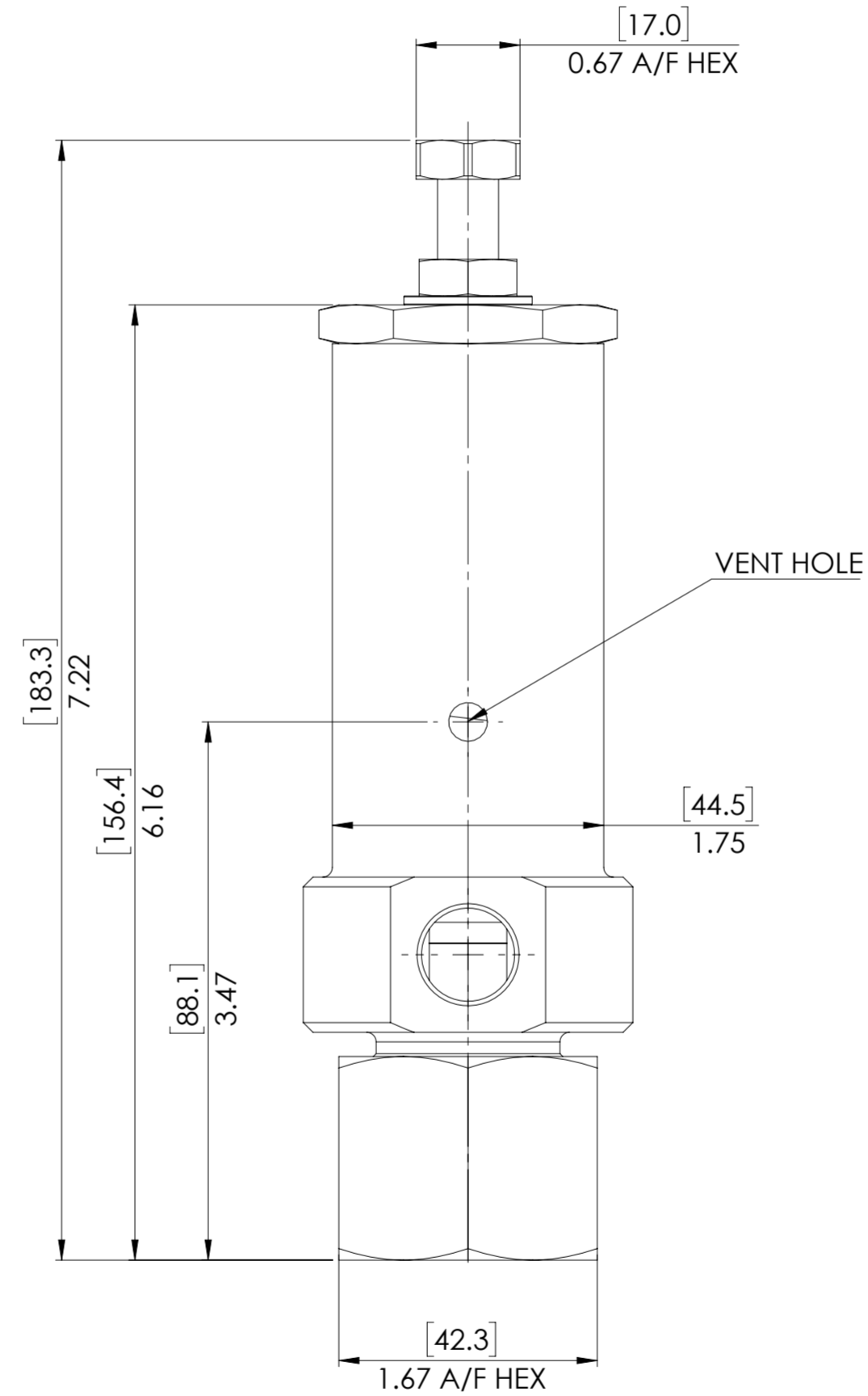
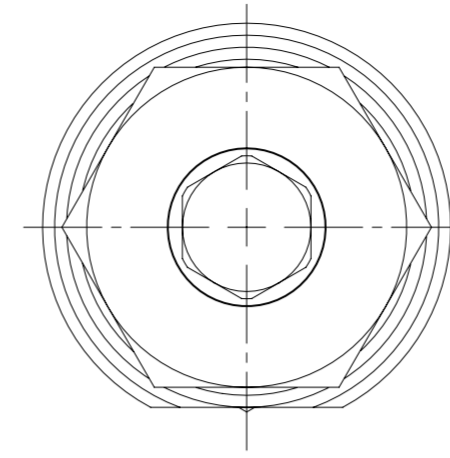
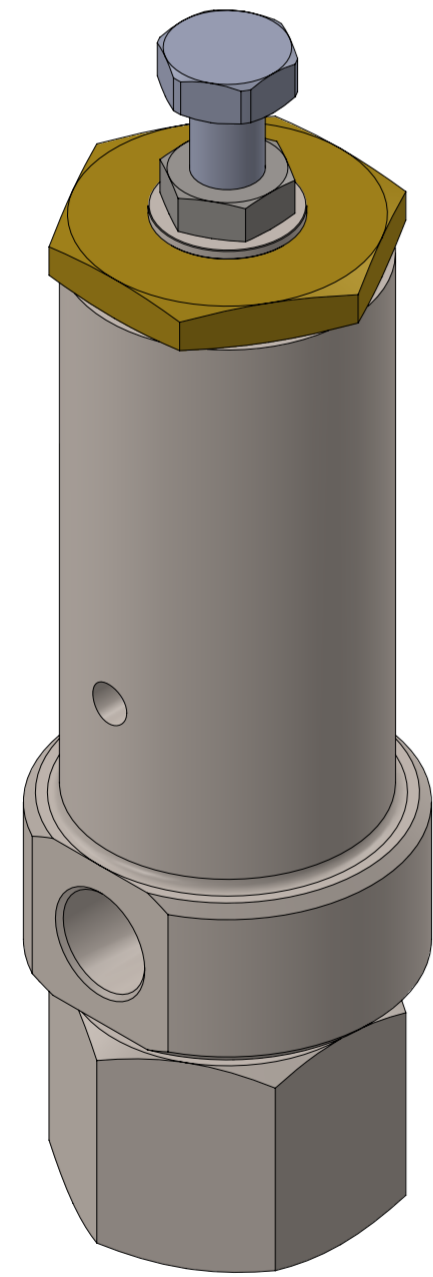
MATERIAL	
A	ALUMINIUM
AB	ALUMINIUM BRONZE
BR	BRASS
SS	STAINLESS STEEL

SEAT MATERIAL	
NY	POLYMER
PT	PTFE

SEAL MATERIAL	
N	NITRILE
V	VITON

PORTS	
25N	1/4" BSPP
25P	1/4" NPT
37N	3/8" BSPP
37P	3/8" NPT

- WEIGHT: 1.50 Kg
- ORIFICE DIAMETER: 3.2mm
- OXYGEN CLEANED PRODUCT AVAILABLE



© AND DESIGN RIGHT BIS WELLS LTD. ALL RIGHTS RESERVED. WITHOUT THE PRIOR WRITTEN PERMISSION OF BIS WELLS LTD NO PART OF THIS DOCUMENT MAY BE ALTERED, ADAPTED, PUBLISHED, REPRODUCED OR TRANSMITTED IN ANY FORM OR MEDIUM.						UNLESS OTHERWISE SPECIFIED DIMENSIONS ARE IN INCHES 1. LINEAR TOLERANCES : ±0.1" 2. ANGULAR TOLERANCES : ±2°				
DRAWN	N.Daniel	SHEET	1 OF 1	 3RD ANGLE PROJECTION	DRAWING SIZE	A2	DRAWING SCALE	1:2	DRAWING NUMBER	DS0044
DATE	26/02/20	ISSUE	1							