

DATASHEET

SOLENOID VALVES: E28 AND E29

Model Code Structure - Standard Model Code in Red

| Valve Model | Solenoid Model | Conduit | Voltage | Reset | Pressure | Port Type | Seal Material | Wetted Materials |
|-------------------------|--------------------------|--------------------|------------------|-----------------------|---------------------|---------------------------|---------------------------|------------------------------------|
| E28- 3 Ported NC | SD Ex db Solenoid | 1 M20 x 1.5 | A 12 Vdc | A Automatic | 60 6,000 Psi | 25P 1/4" BSP | N Nitrile | SS/AL Stainless / Aluminium |
| E29- 3 Ported NO | SM Ex mb Solenoid | 2 1/2" NPT | B 24 Vdc | O Over ride | | 25N 1/4" NPT | V Viton | SS/SS Stainless / Stainless |
| | | | C 48 Vdc | M Manual Reset | | M2 Medium Pressure | S Silicone | SS/BR Stainless / Brass |
| | | | D 115 Vdc | | | | L Low Temp Nitrile | |
| | | | E 24 Vac | | | | | |
| | | | F 48 Vac | | | | | |
| | | | G 115 Vac | | | | | |
| | | | H 230 Vac | | | | | |

AMBIENT TEMPERATURE LIMITS

Ex db IIC T4 Gb & T6 Gb and Ex tb IIIC T4 Db & T6 Db

| SOLENOID SEAL MATERIAL | MIN Tamb (°C) | MAX Tamb (°C) (T4 135°C) | MAX Tamb (°C) (T6 85°C) |
|------------------------|---------------|--------------------------|-------------------------|
| SILICON | -60 | 90 | 50 |

Ex mb IIC T4 Gb and Ex mb IIIC T4 Db

| SOLENOID SEAL MATERIAL | MINIMUM Tamb (°C) | MAXIMUM Tamb (°C) (T4 135°C) |
|------------------------|-------------------|------------------------------|
| SILICON | -40 | 60 |

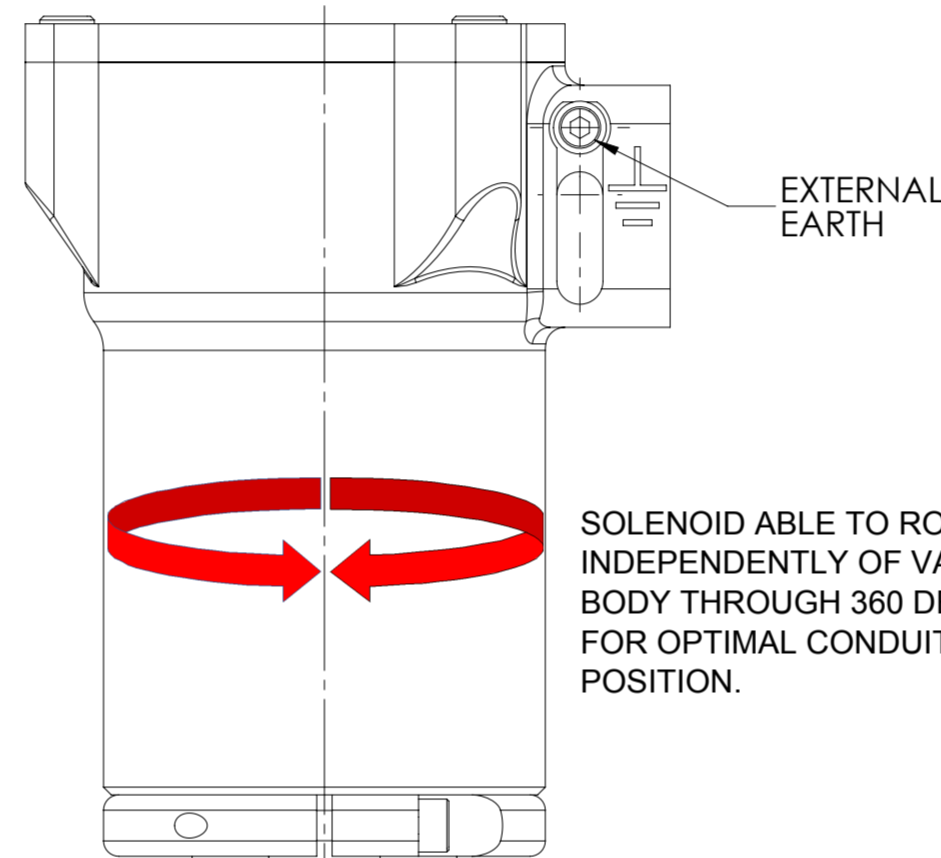
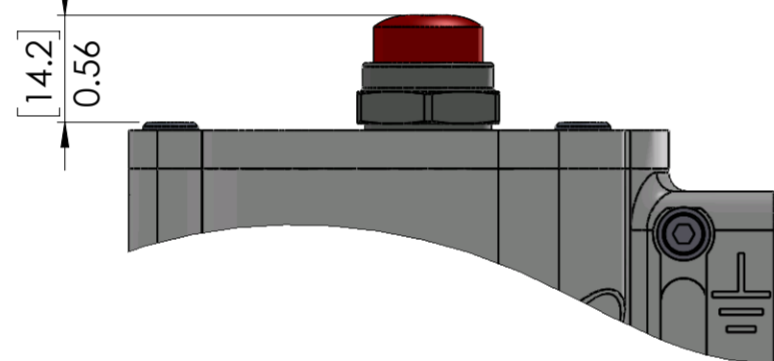
FLUID TEMPERATURE LIMITS

| VALVE SEAL MATERIAL | MINIMUM TEMPERATURE (°C) | MINIMUM TEMPERATURE (°C) |
|---------------------|--------------------------|--------------------------|
| VITON | -10 | 120 |
| NBR | -25 | 105 |
| LNBR | -55 | 105 |
| SILICONE | -60 | 120 |

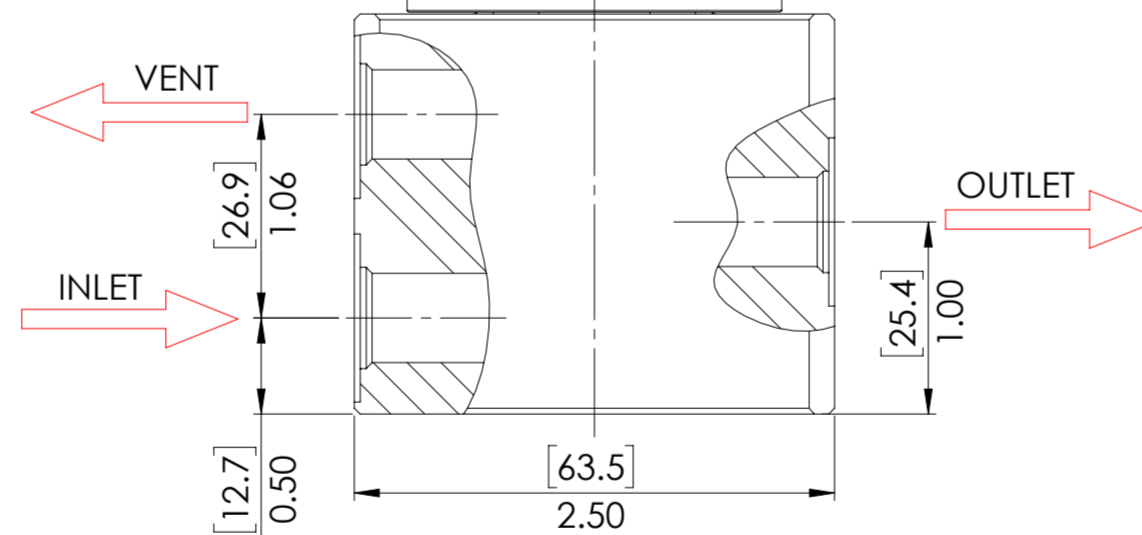
SPECIFICATION:

POWER RATING: 6 WATTS
 Cv: 0.06
 WEIGHT: 3.5 Kg
 IP RATING: IP68
 SURGE SUPPRESSION DIODE FITTED AS STANDARD

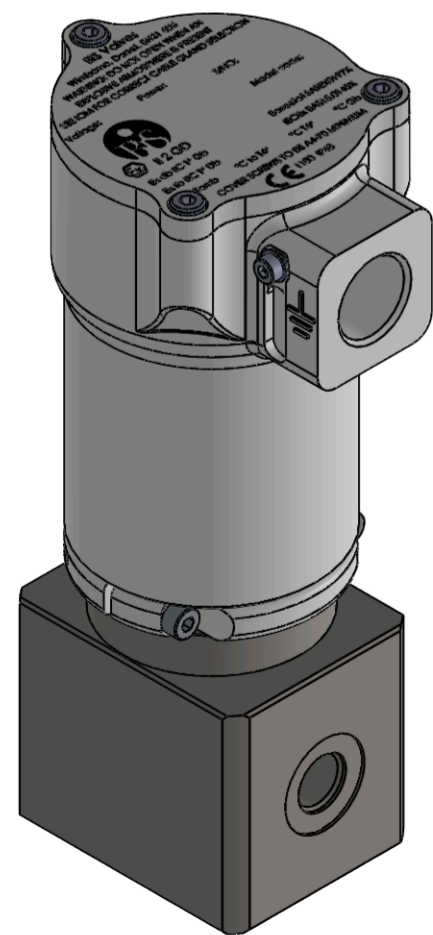
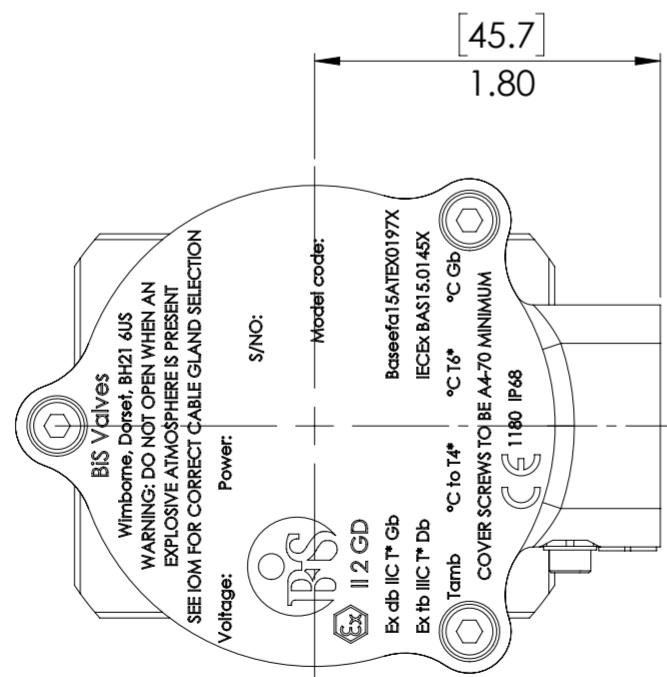
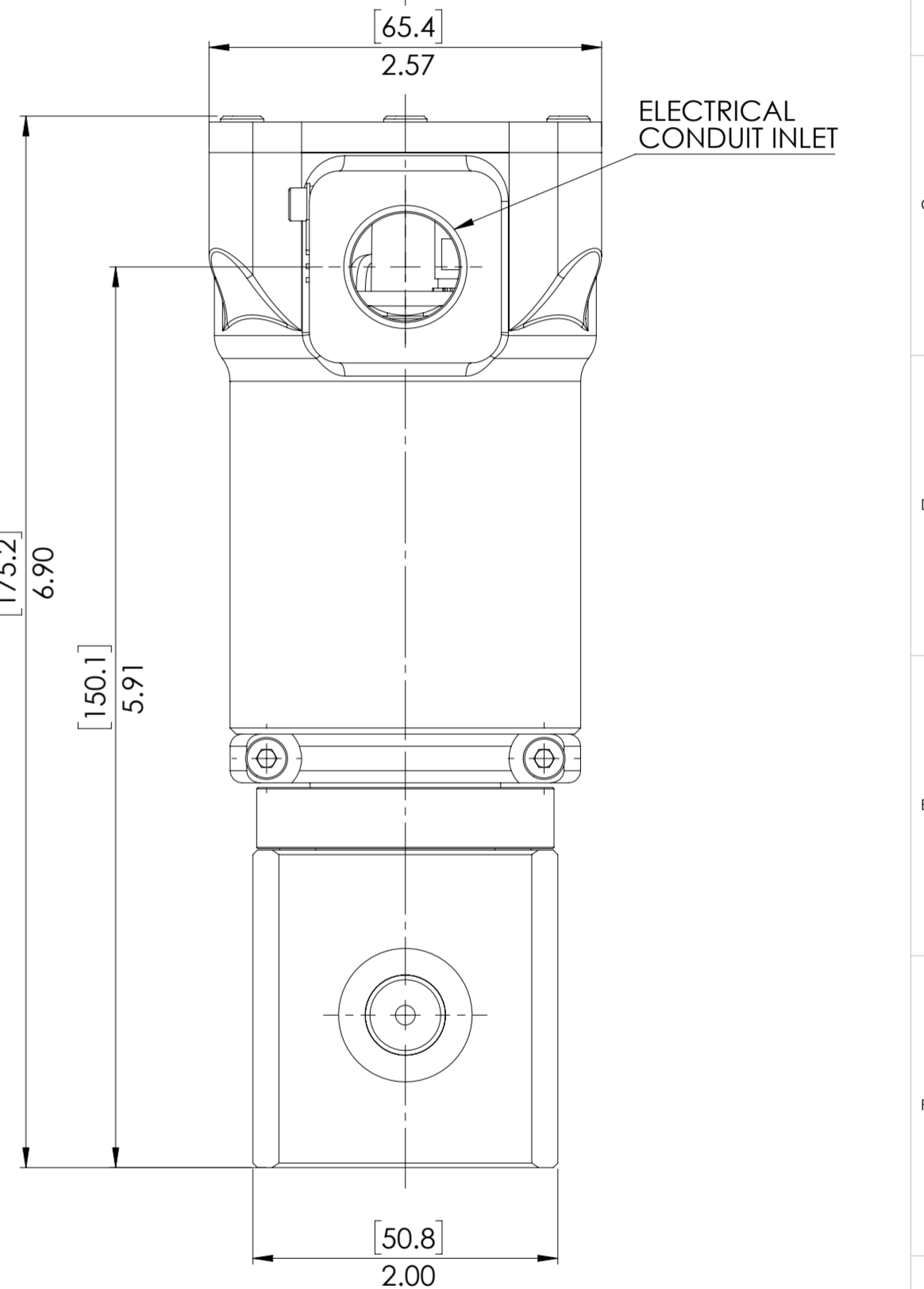
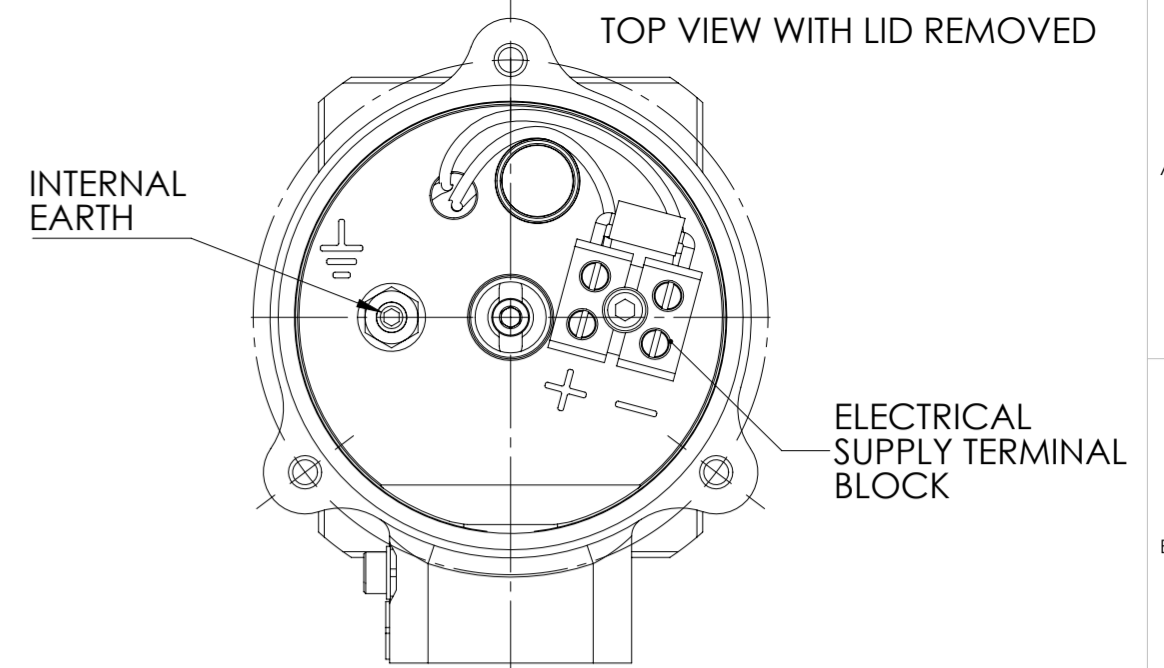
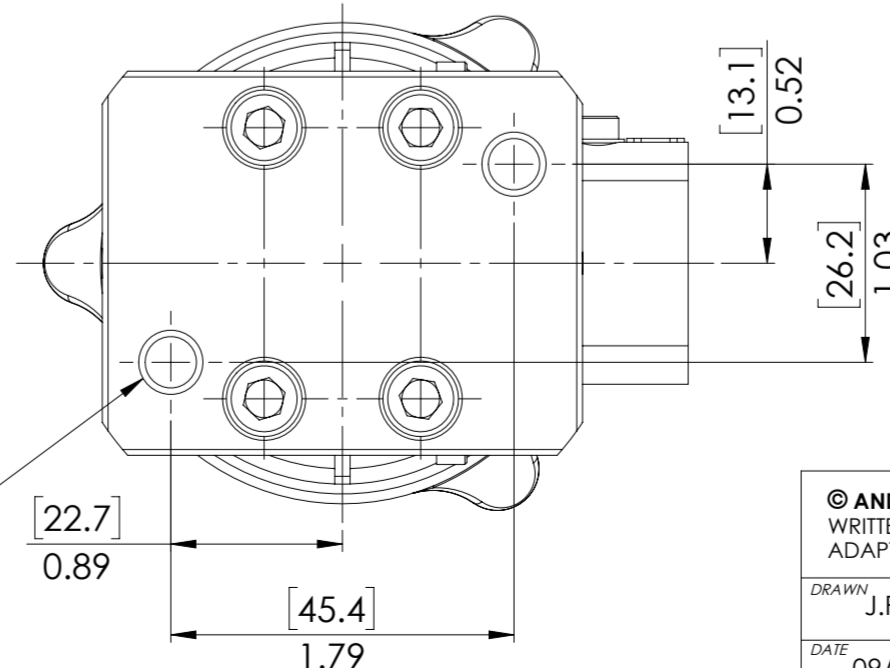
DETAIL OF MANUAL RESET AND OVER-RIDE PUSH BUTTON ARRANGEMENT.



SOLENOID ABLE TO ROTATE INDEPENDENTLY OF VALVE BODY THROUGH 360 DEGREES FOR OPTIMAL CONDUIT ENTRY POSITION.



2 OFF MOUNTING HOLES M8 x 1.25 ∇ 0.60



| | | | | | |
|--|------------|--------------|----------------------|--|---------------|
| © AND DESIGN RIGHT BIS Wells LTD. ALL RIGHTS RESERVED. WITHOUT THE PRIOR WRITTEN PERMISSION OF BIS Wells Ltd NO PART OF THIS DOCUMENT MAY BE ALTERED, ADAPTED, PUBLISHED, REPRODUCED OR TRANSMITTED IN ANY FORM OR MEDIUM. | | | | UNLESS OTHERWISE SPECIFIED DIMENSIONS ARE IN INCHES 1. LINEAR TOLERANCES : ±0.1" 2. ANGULAR TOLERANCES : ±2° | |
| DRAWN | J.PHELAN | SHEET 1 OF 1 | 3RD ANGLE PROJECTION | DRAWING SIZE | A2 |
| DATE | 09/04/2020 | ISSUE | | 3 | DRAWING SCALE |
| | | | | DRAWING NUMBER | DS0046 |