

DATASHEET

SOLENOID VALVES: E36 AND E37

Model Code Structure - Standard Model Code in Red

Valve Model	Solenoid Model	Conduit	Voltage	Reset	Pressure	Port Type	Seal Material	Wetted Materials
E36- 3 Ported Normally Closed	SD Ex db Solenoid	1 M20 x 1.5	A 12 Vdc	A Automatic	30 2,000 Psi	25P 1/4" BSP	N Nitrile	SS/AL Stainless / Aluminium
E37- 3 Ported Normally Open	SM Ex mb Solenoid	2 1/2" NPT	B 24 Vdc	O Over ride		25N 1/4" NPT	V Viton	SS/SS Stainless / Stainless
			C 48 Vdc	M Manual Reset		37P 3/8" BSP	S Silicone	SS/BR Stainless / Brass
			D 115 Vdc			37N 3/8" NPT	L Low Temp Nitrile	
			E 24 Vac					
			F 48 Vac					
			G 115 Vac					
			H 230 Vac					

AMBIENT TEMPERATURE LIMITS

Ex db IIC T4 Gb & T6 Gb and Ex fb IIIC T4 Db & T6 Db

SOLENOID SEAL MATERIAL	MIN Tamb (°C)	MAX Tamb (°C) (T4 135°C)	MAX Tamb (°C) (T6 85°C)
SILICON	-60	85	40

Ex mb IIC T4 Gb and Ex mb IIIC T4 Db

SOLENOID SEAL MATERIAL	MINIMUM Tamb (°C)	MAXIMUM Tamb (°C) (T4 135°C)
SILICON	-40	60

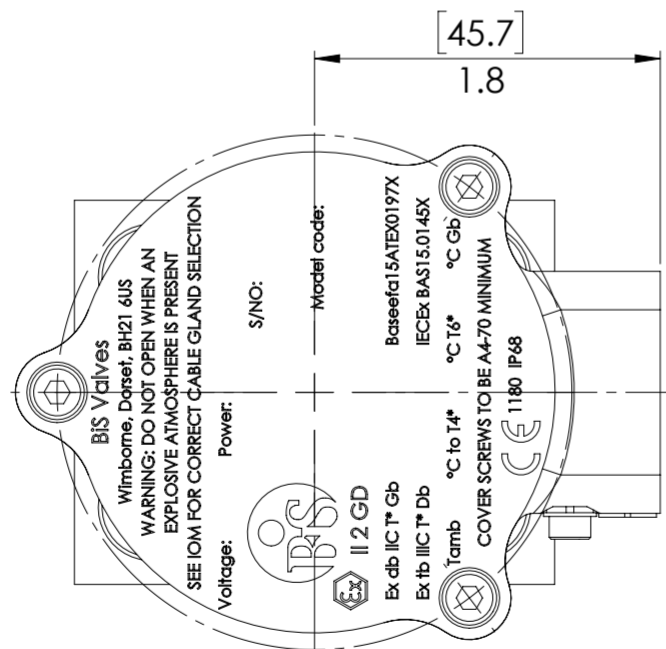
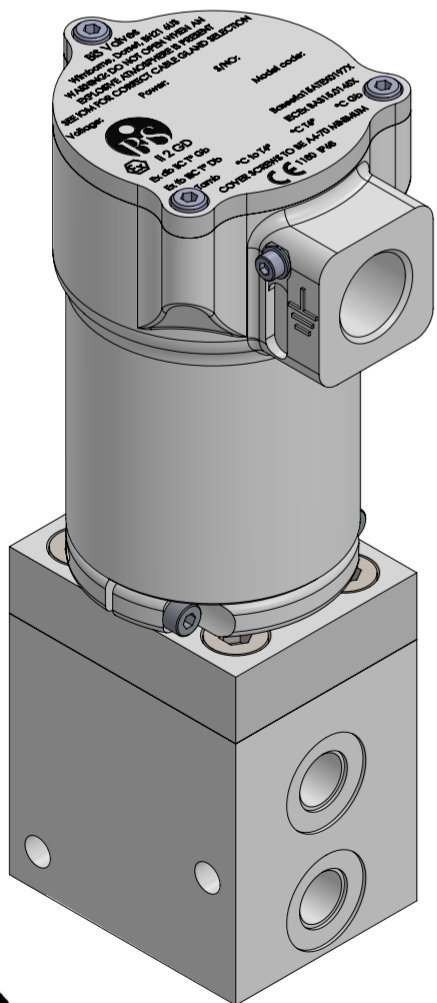
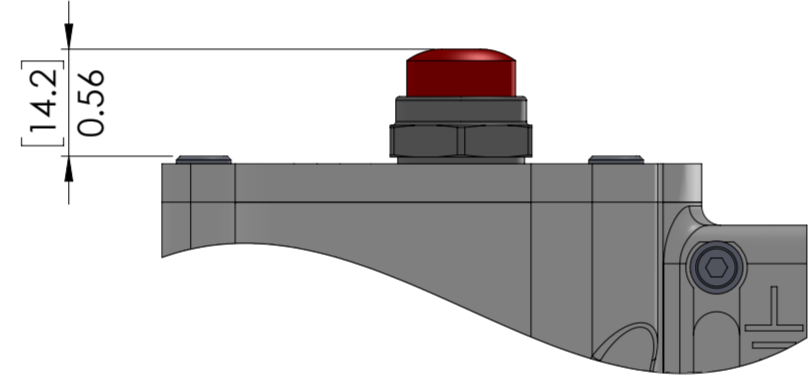
FLUID TEMPERATURE LIMITS

VALVE SEAL MATERIAL	MINIMUM TEMPERATURE (°C)	MINIMUM TEMPERATURE (°C)
VITON	-10	120
NBR	-25	105
LNBR	-55	105
SILICONE	-60	120

SPECIFICATION:

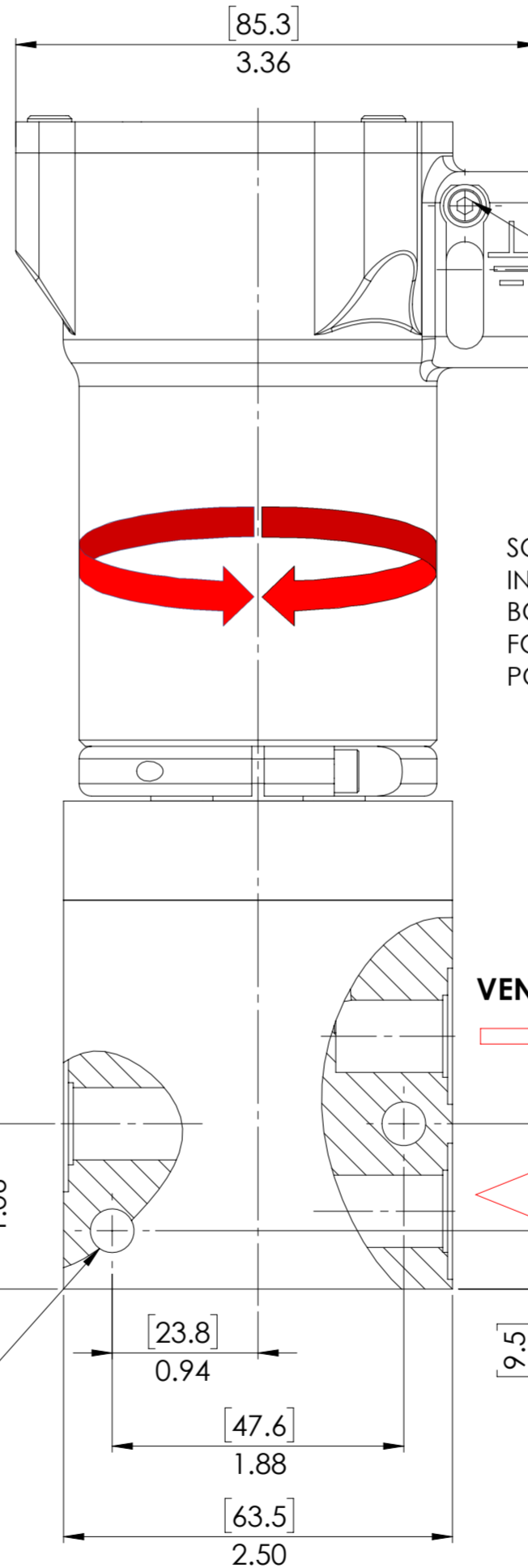
POWER RATING: 8 WATTS
 Cv: 0.15
 WEIGHT: 3.1 Kg
 IP RATING: IP68
 NON - UNIVERSAL CONFIGURATION
 SUITABLE FOR BOTH GASSES AND LIQUIDS
 SURGE SUPPRESSION DIODE FITTED AS STANDARD

DETAIL OF MANUAL RESET AND OVER RIDE PUSH BUTTON ARRANGEMENT.



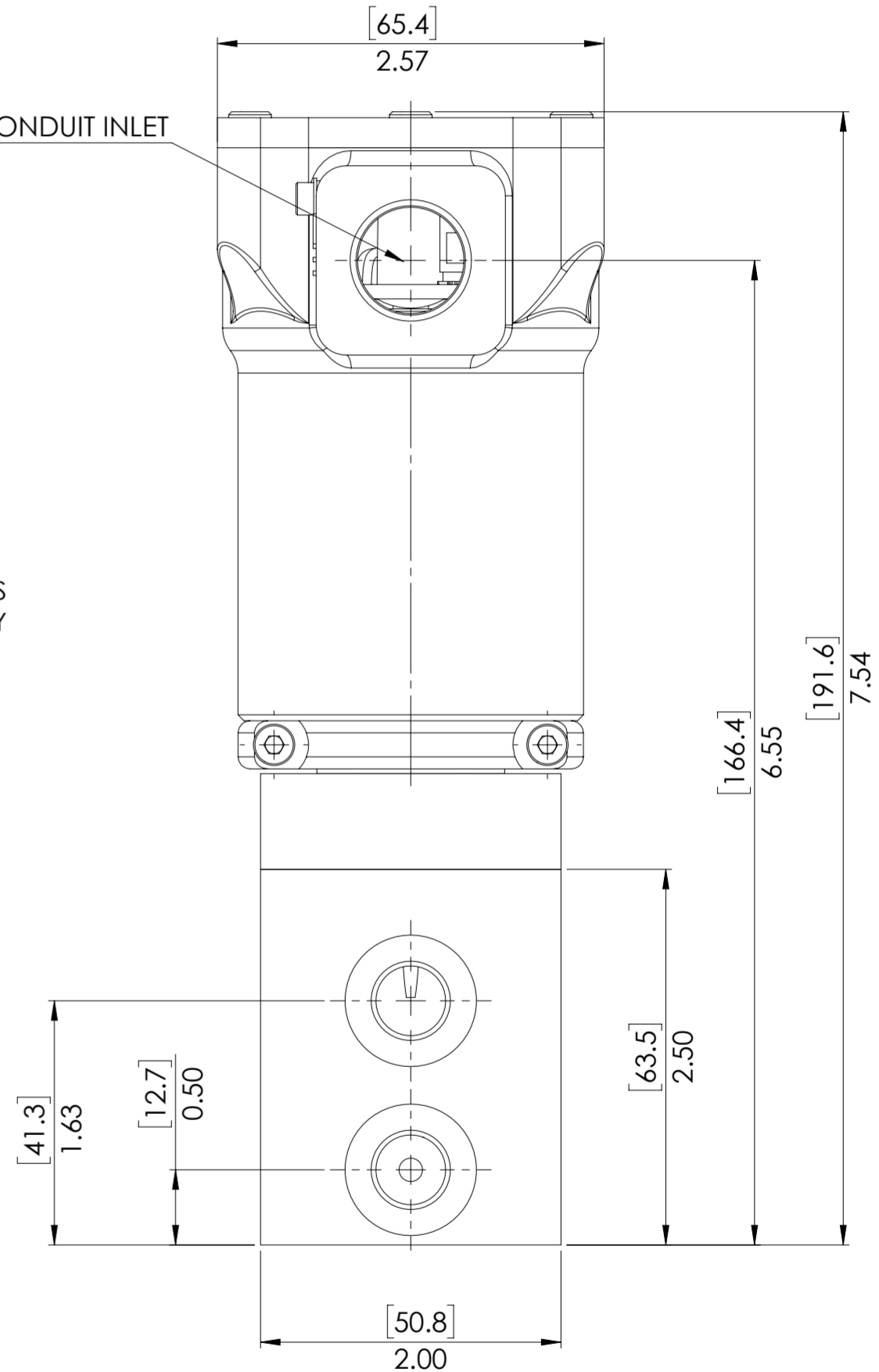
2 OFF MOUNTING HOLES TO SUIT M6 SCREWS

LINE



EXTERNAL EARTH

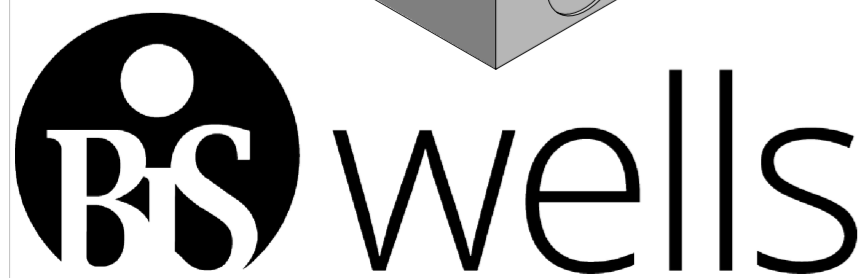
ELECTRICAL CONDUIT INLET



INTERNAL EARTH

ELECTRICAL SUPPLY TERMINAL BLOCK

TOP VIEW WITH LID REMOVED



© AND DESIGN RIGHT BIS WELLS LTD. ALL RIGHTS RESERVED. WITHOUT THE PRIOR WRITTEN PERMISSION OF BIS WELLS LTD NO PART OF THIS DOCUMENT MAY BE ALTERED, ADAPTED, PUBLISHED, REPRODUCED OR TRANSMITTED IN ANY FORM OR MEDIUM.				UNLESS OTHERWISE SPECIFIED DIMENSIONS ARE IN INCHES 1. LINEAR TOLERANCES : ±0.1" 2. ANGULAR TOLERANCES : ±2°			
DRAWN	N.DANIEL	SHEET	1 OF 1	DRAWING SIZE	A2	DRAWING SCALE	2:3
DATE	17/03/20	ISSUE	2	PROJECTION	3RD ANGLE	DRAWING NUMBER	DS0049