

# DATASHEET

## INLINE FILTER: F14

MODEL CODE					
F14 -	1	10M	AA	75PM	N

MODEL TYPE	
F14 -	INLINE STYLE FILTER

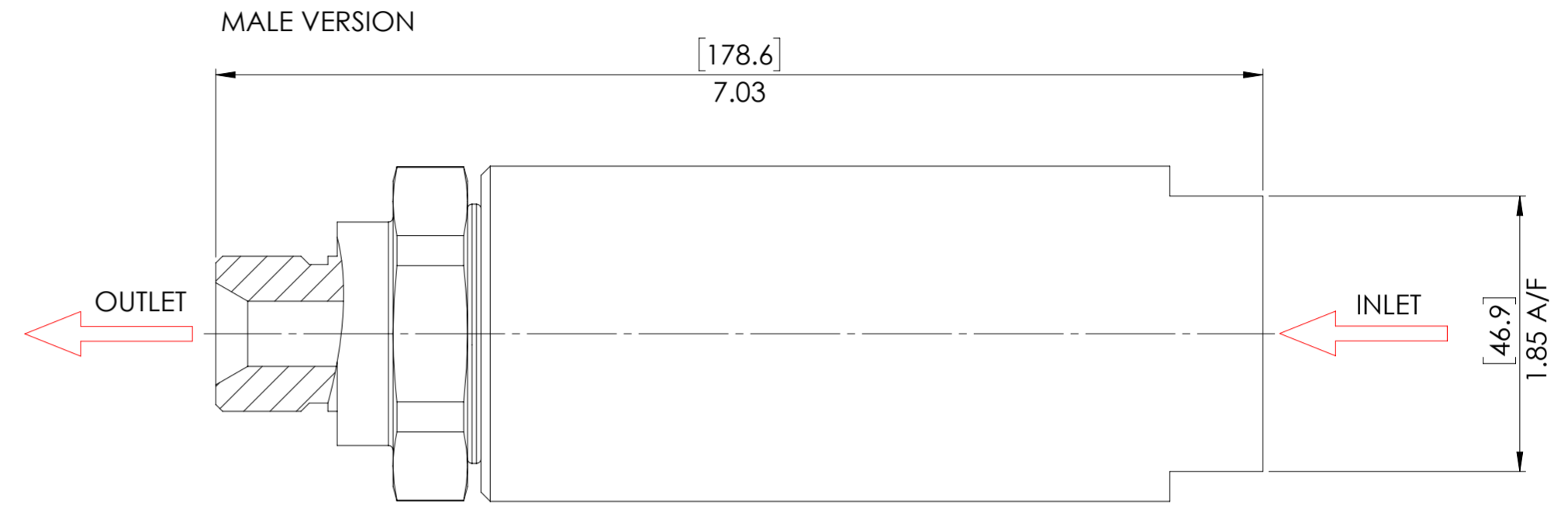
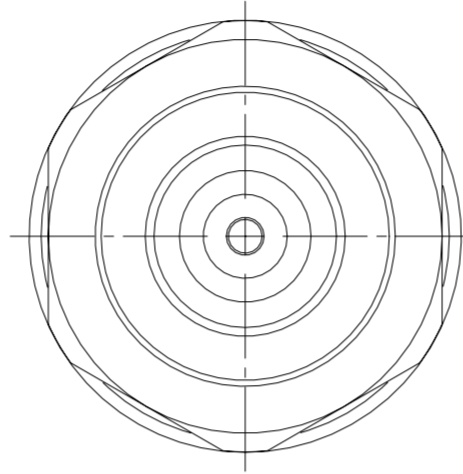
MAXIMUM WORKING PRESSURE	
1	4,000 Psi (275 Bar)
2	6,000 Psi (414 Bar)

FILTRATION	
5M	5 MICRON
10M	10 MICRON
25M	25 MICRON
37M	37 MICRON

SEAL MATERIAL	
N	NITRILE
V	VITON

PORTS	
75PM	3/4 BSPP MALE
75NM	3/4 NPT MALE
75PF	3/4 BSPP FEMALE
75NF	3/4 NPT FEMALE

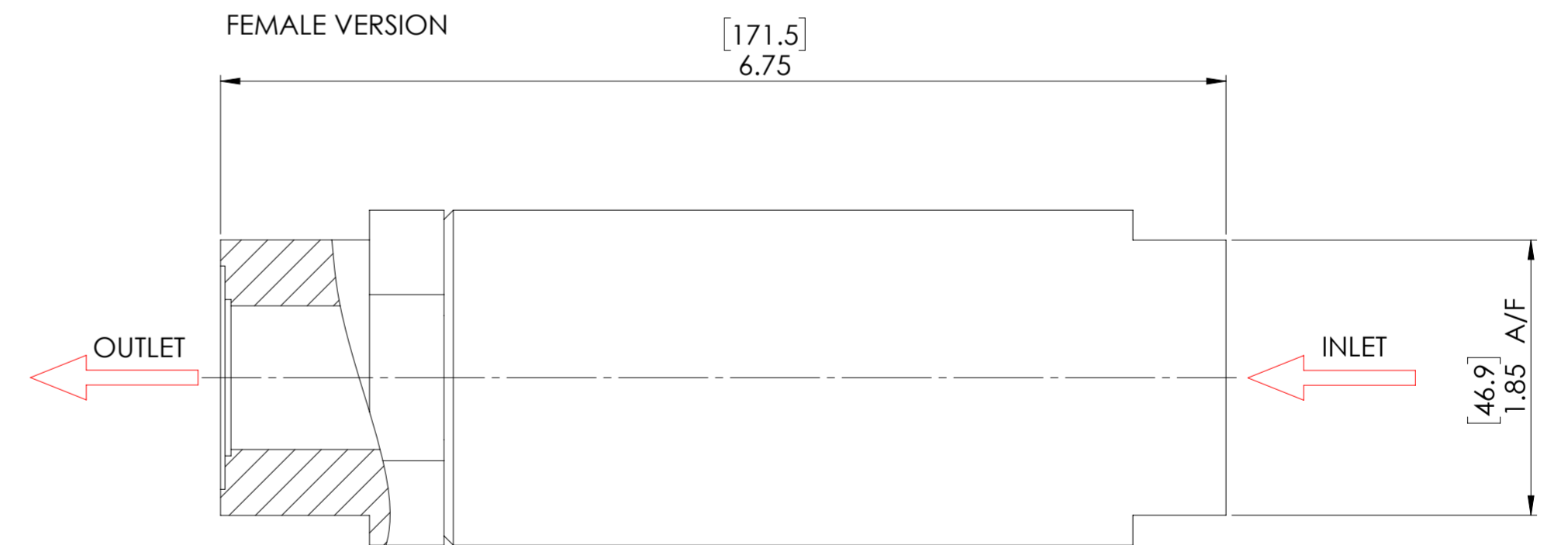
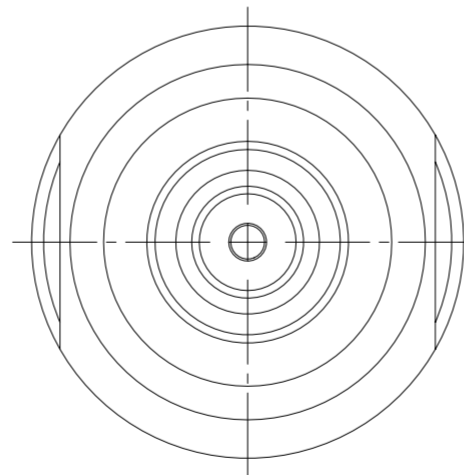
MATERIAL	
A	ALUMINIUM
AB	ALUMINIUM BRONZE
BR	BRASS
SS	STAINLESS STEEL



### SPECIFICATION

- MEDIUM: GAS AND LIQUIDS
- DRY WEIGHT: 1.1 kg (2.42 lb) (ALUMINIUM ALLOY)

**FOR OXYGEN SERVICE SPECIFY: F14OX**



© AND DESIGN RIGHT Bis Wells LTD. ALL RIGHTS RESERVED. WITHOUT THE PRIOR WRITTEN PERMISSION OF Bis Wells Ltd NO PART OF THIS DOCUMENT MAY BE ALTERED, ADAPTED, PUBLISHED, REPRODUCED OR TRANSMITTED IN ANY FORM OR MEDIUM.						UNLESS OTHERWISE SPECIFIED DIMENSIONS ARE IN INCHES 1. LINEAR TOLERANCES : ±0.1" 2. ANGULAR TOLERANCES : ± 2°						
DRAWN	N.DANIEL	SHEET	1 OF 1	 3RD ANGLE PROJECTION	DRAWING SIZE	A2	DRAWING SCALE	1:1	DRAWING NUMBER			DS0052
DATE	26/03/20	ISSUE	1									