

DATASHEET

SOLENOID VALVES: E40 & E41

Model Code Structure - Standard Model Code in Red

Valve Model	Solenoid Model	Conduit	Voltage	Reset	Pressure	Port Type	Seal Material	Wetted Materials
E40- E40 Valve, 2 Port, Normally Closed	SD Ex db Solenoid	1 M20 x 1.5	A 12 Vdc B 24 Vdc	A Automatic O Over ride	44 4,400 Psi	25P 1/4" BSP 25N 1/4" NPT	N Nitrile V Viton	SS/AL Stainless / Aluminium SS/SS Stainless / Stainless
E41- E41 Valve, 2 Port, Normally Open	SM Ex mb Solenoid	2 1/2" NPT	C 48 Vdc D 115 Vdc E 24 Vac F 48 Vac G 115 Vac H 230 Vac	M Manual Reset		37P 3/8" BSP 37N 3/8" NPT	S Silicone L Low Temp Nitrile	SS/BR Stainless / Brass

AMBIENT TEMPERATURE LIMITS

Ex db IIC T4 Gb & T6 Gb and Ex tb IIC T4 Db & T6 Db

SOLENOID SEAL MATERIAL	MIN Tamb (°C)	MAX Tamb (°C) (T4 135°C)	MAX Tamb (°C) (T6 85°C)
SILICON	-60	80	30

Ex mb IIC T4 Gb and Ex mb IIC T4 Db

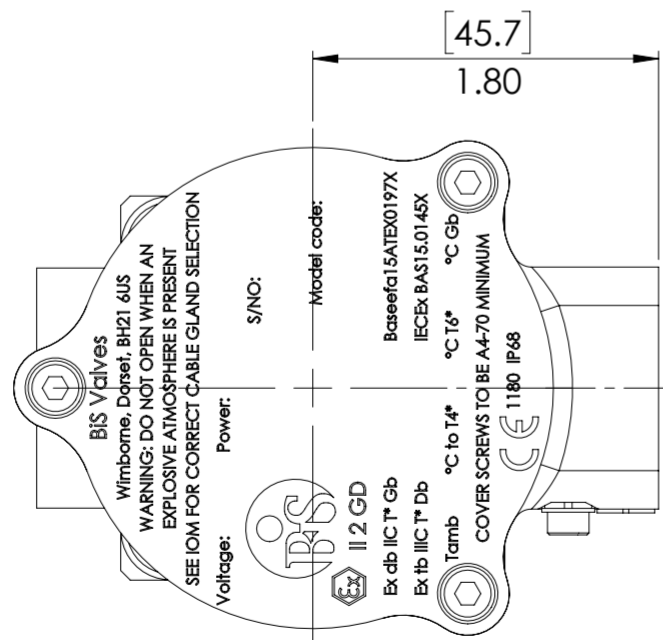
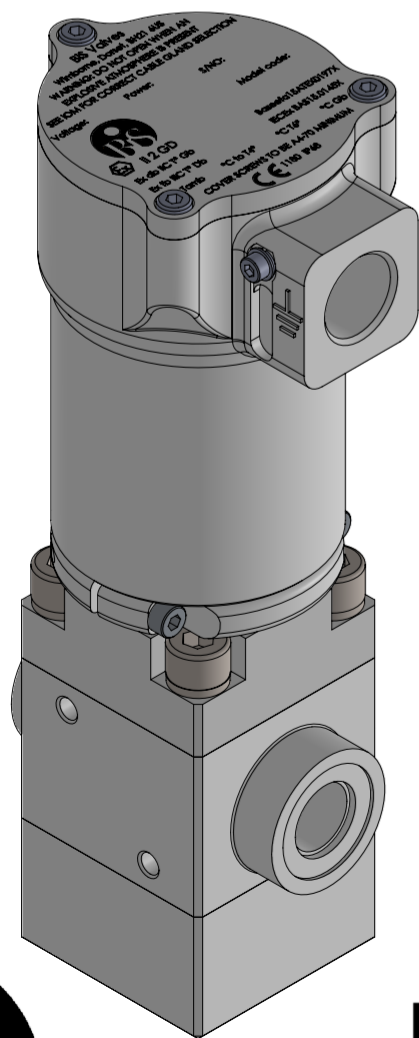
SOLENOID SEAL MATERIAL	MINIMUM Tamb (°C)	MAXIMUM Tamb (°C) (T4 135°C)
SILICON	-40	55

FLUID TEMPERATURE LIMITS

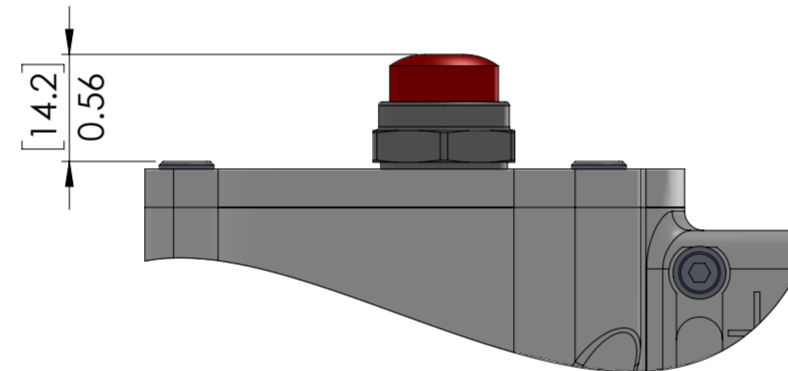
VALVE SEAL MATERIAL	MINIMUM TEMPERATURE (°C)	MINIMUM TEMPERATURE (°C)
VITON	-10	120
NBR	-25	105
LNBR	-55	105
SILICONE	-60	120

SPECIFICATION:

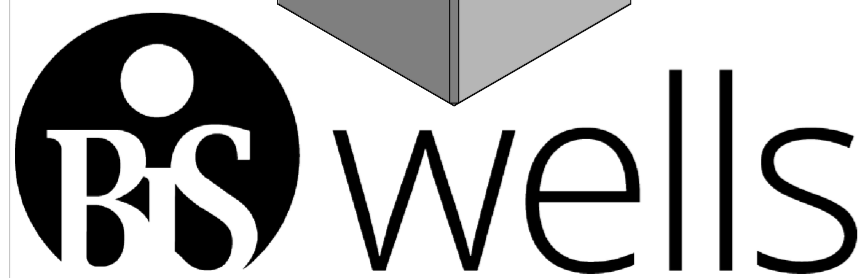
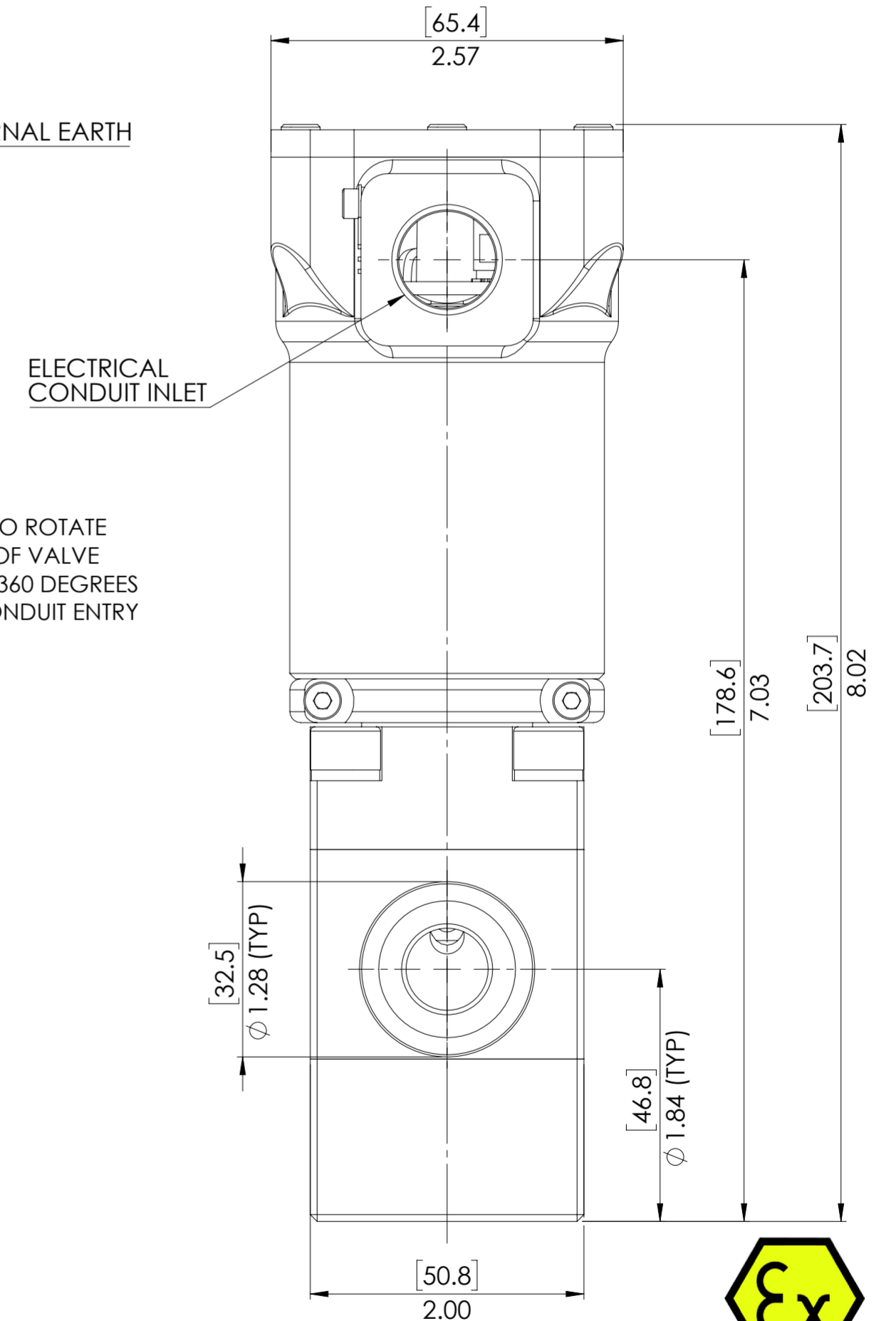
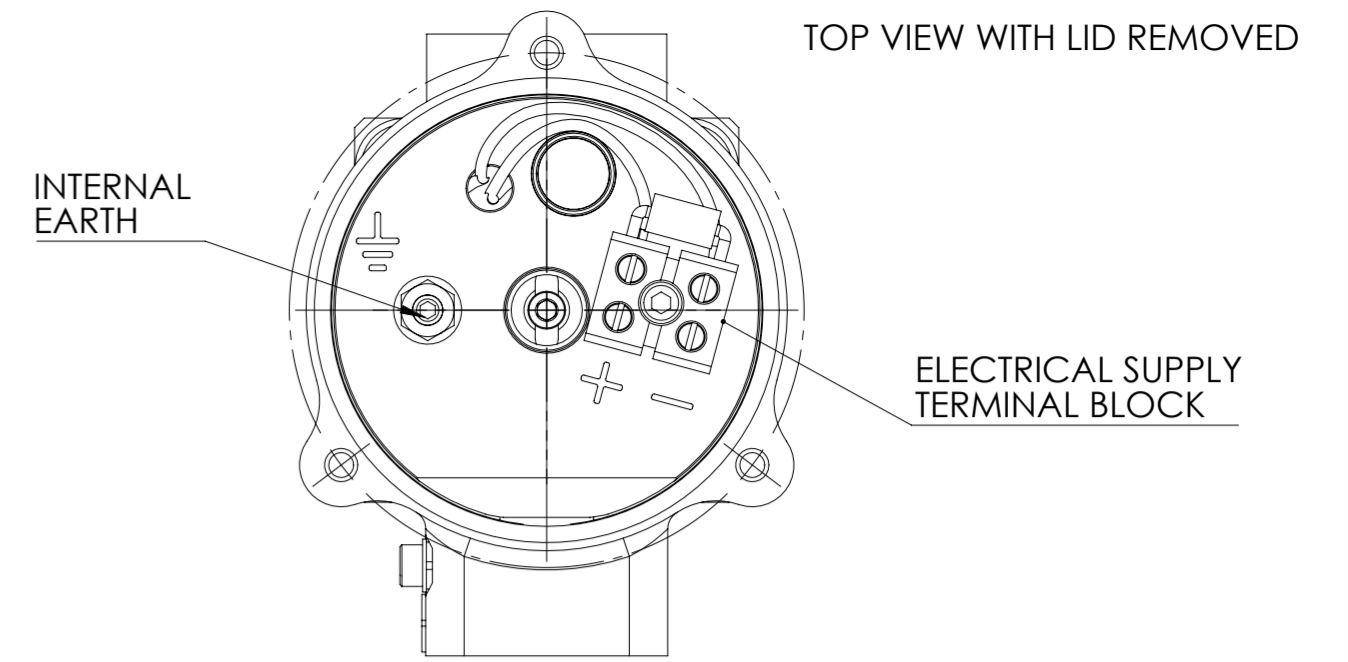
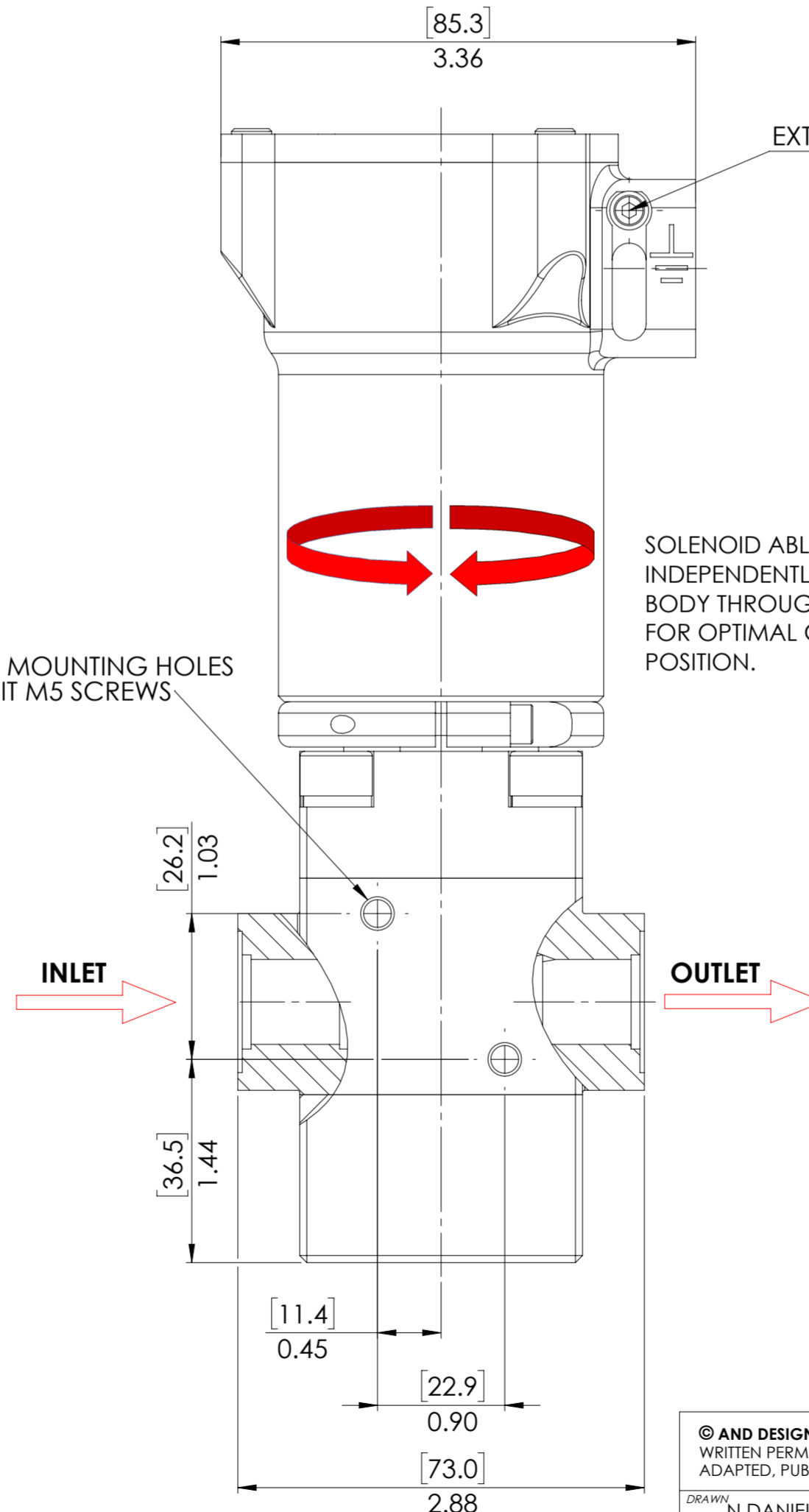
POWER RATING: 12 WATTS
 Cv: 0.5
 WEIGHT: 3.2 Kg
 IP RATING: IP68
 SUITABLE FOR BOTH GASSES AND LIQUIDS
 SURGE SUPPRESSION DIODE FITTED AS STANDARD



DETAIL OF MANUAL RESET AND OVER RIDE PUSH BUTTON ARRANGEMENT.



2 OFF MOUNTING HOLES TO SUIT M5 SCREWS



© AND DESIGN RIGHT BIS Wells LTD. ALL RIGHTS RESERVED. WITHOUT THE PRIOR WRITTEN PERMISSION OF BIS Wells Ltd NO PART OF THIS DOCUMENT MAY BE ALTERED, ADAPTED, PUBLISHED, REPRODUCED OR TRANSMITTED IN ANY FORM OR MEDIUM.				UNLESS OTHERWISE SPECIFIED DIMENSIONS ARE IN INCHES 1. LINEAR TOLERANCES : ±0.1" 2. ANGULAR TOLERANCES : ±2°	
DRAWN	N.DANIEL	SHEET	1 OF 1	DRAWING SIZE	A2
DATE	30/03/20	ISSUE	1	DRAWING SCALE	1:1
3RD ANGLE PROJECTION				DRAWING NUMBER	
				DS0053	