

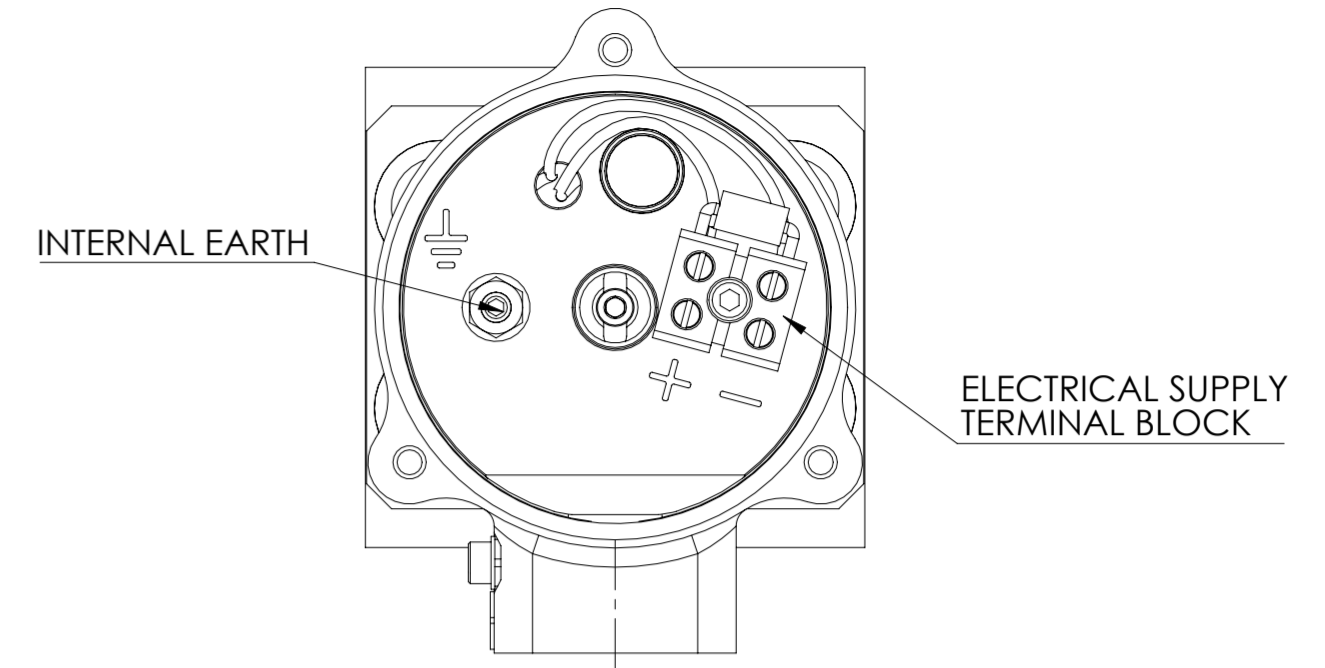
# DATASHEET

## SOLENOID VALVES: E30 AND E31

Model Code Structure - Standard Model Code in Red

Valve Model	Solenoid Model	Conduit	Voltage	Reset	Pressure	Port Type	Seal Material	Wetted Materials	
<b>E30-</b>	<b>2</b> Ported NC	<b>SD</b> Ex db Solenoid	<b>1</b> M20 x 1.5	<b>A</b> 12 Vdc	<b>O</b> Automatic	<b>20</b> 2,000 Psi	<b>25P</b> 1/4" BSP	<b>N</b> Nitrile	<b>SS/AL</b> Stainless / Aluminium
<b>E31-</b>	<b>2</b> Ported NO	<b>SM</b> Ex mb Solenoid	<b>2</b> 1/2" NPT	<b>B</b> 24 Vdc	<b>Over ride</b>		<b>25N</b> 1/4" NPT	<b>V</b> Viton	<b>SS/SS</b> Stainless / Stainless
				<b>C</b> 48 Vdc	<b>M</b> Manual Reset		<b>37P</b> 3/8" BSP	<b>S</b> Silicone	<b>SS/BR</b> Stainless / Brass
				<b>D</b> 115 Vdc			<b>37N</b> 3/8" NPT	<b>L</b> Low Temp Nitrile	
				<b>E</b> 24 Vac					
				<b>F</b> 48 Vac					
				<b>G</b> 115 Vac					
				<b>H</b> 230 Vac					

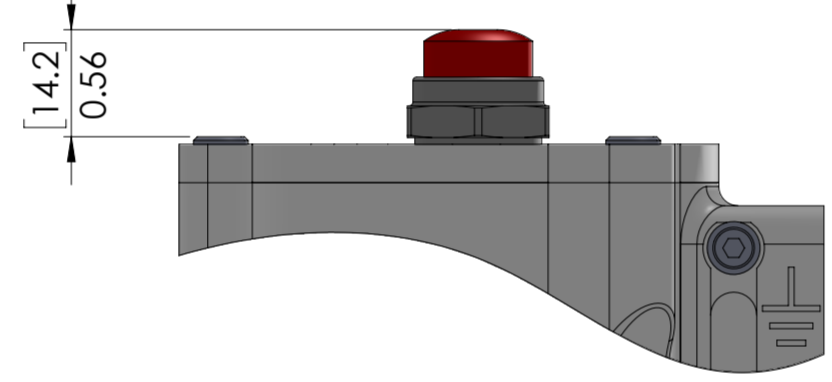
TOP VIEW WITH LID REMOVED



AMBIENT TEMPERATURE LIMITS			
Ex db IIC T4 Gb & T6 Gb and Ex tb IIC T4 Db & T6 Db			
SOLENOID SEAL MATERIAL	MIN Tamb (°C)	MAX Tamb (°C) (T4 135°C)	MAX Tamb (°C) (T6 85°C)
SILICON	-60	85	40
Ex mb IIC T4 Gb and Ex mb IIC T4 Db			
SOLENOID SEAL MATERIAL	MINIMUM Tamb (°C)	MAXIMUM Tamb (°C) (T4 135°C)	
SILICON	-40	60	

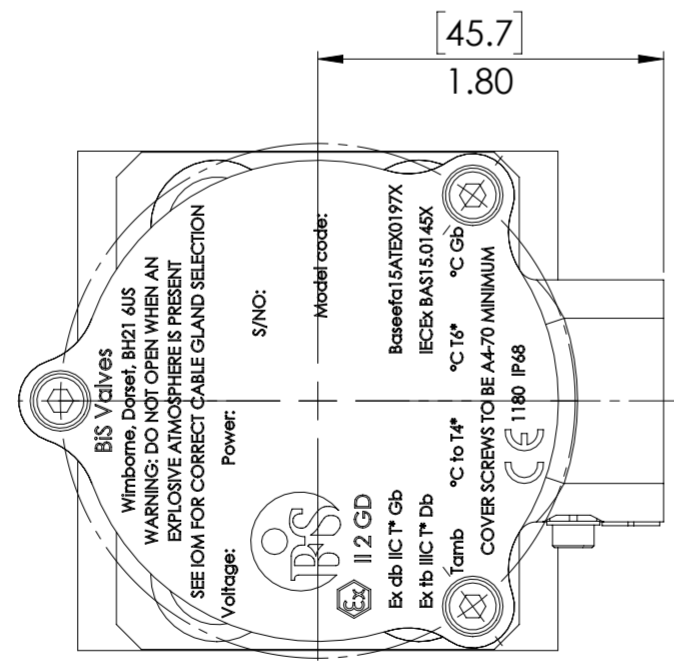
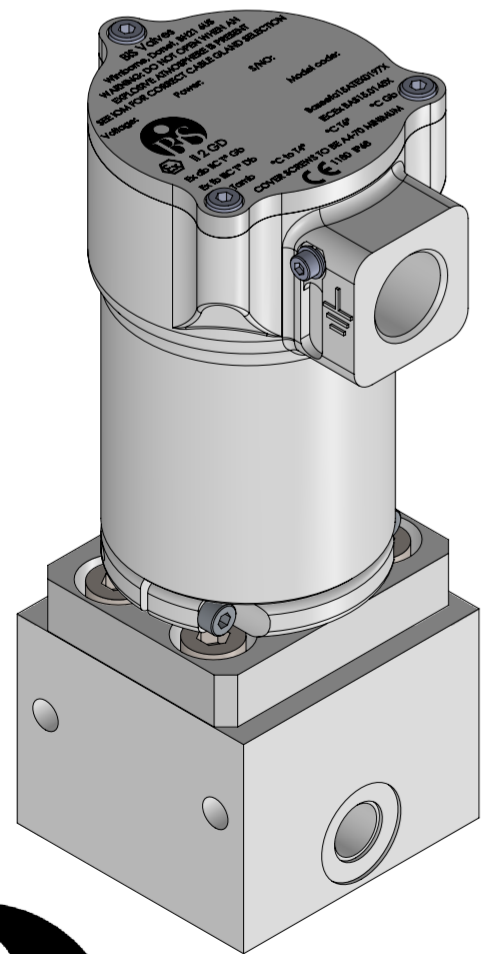
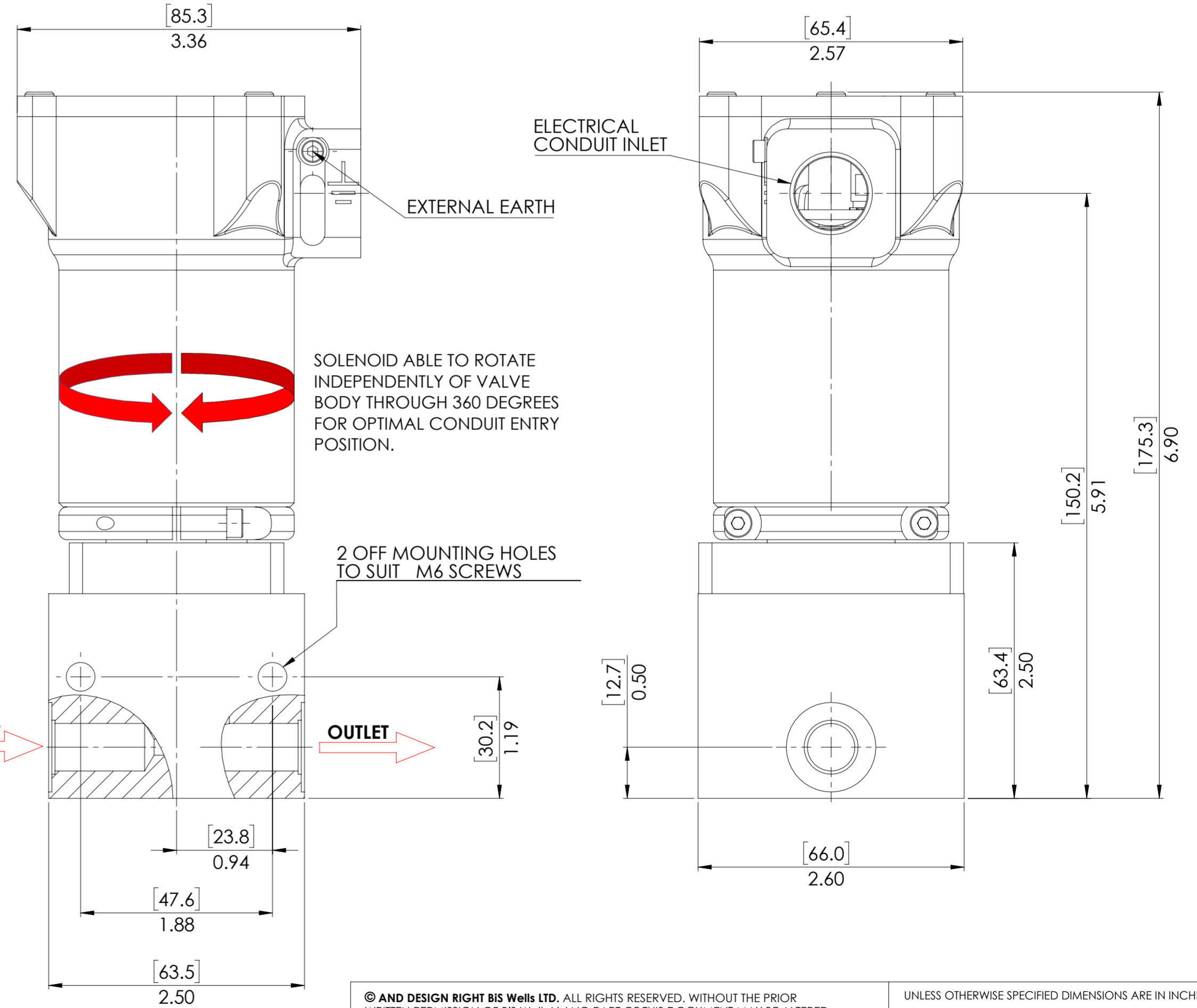
FLUID TEMPERATURE LIMITS		
VALVE SEAL MATERIAL	MINIMUM TEMPERATURE (°C)	MINIMUM TEMPERATURE (°C)
VITON	-10	120
NBR	-25	105
LNBR	-55	105
SILICONE	-60	120

DETAIL OF MANUAL RESET AND OVER RIDE PUSH BUTTON ARRANGEMENT.



**SPECIFICATION:**

- POWER RATING: 8 WATTS
- Cv: 0.15
- WEIGHT: 3.1 Kg
- IP RATING: IP68
- SURGE SUPPRESSION DIODE FITTED AS STANDARD
- SUITABLE FOR BOTH GASSES AND LIQUIDS



© AND DESIGN RIGHT BIS Wells LTD. ALL RIGHTS RESERVED. WITHOUT THE PRIOR WRITTEN PERMISSION OF BIS Wells Ltd NO PART OF THIS DOCUMENT MAY BE ALTERED, ADAPTED, PUBLISHED, REPRODUCED OR TRANSMITTED IN ANY FORM OR MEDIUM.				UNLESS OTHERWISE SPECIFIED DIMENSIONS ARE IN INCHES 1. LINEAR TOLERANCES : ±0.1" 2. ANGULAR TOLERANCES : ±2°			
DRAWN	N.DANIEL	SHEET	1 OF 1	DRAWING SIZE	A2	DRAWING SCALE	1:1
DATE	08/04/20	ISSUE	1	3RD ANGLE PROJECTION		DRAWING NUMBER	DS0054

