

DATASHEET

NON RETURN VALVE (NRV): D14

MODEL CODE				
D14 -	1	A	100PM	N

MODEL TYPE	
D14	NON RETURN VALVE

MAXIMUM INLET PRESSURE	
1	6,000 Psi (414 Bar)

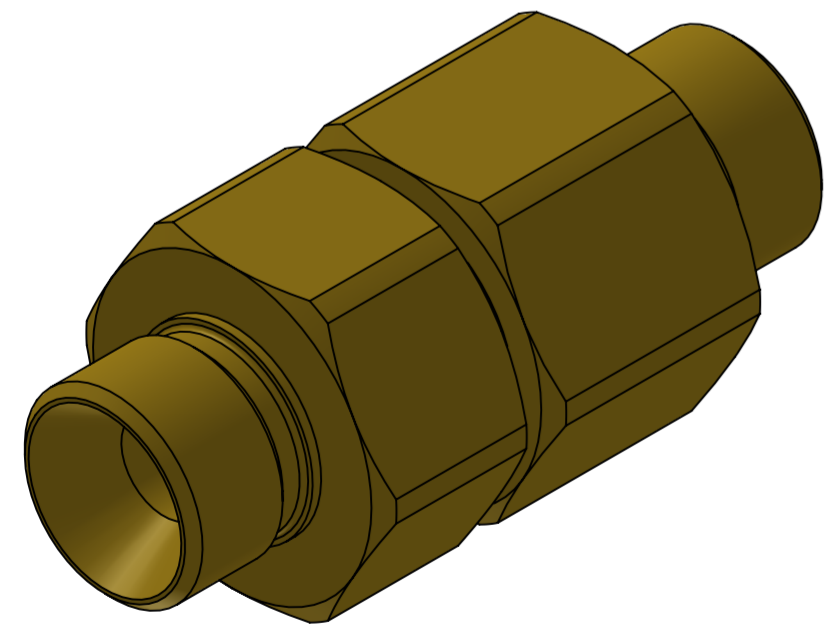
MATERIAL	
A	ALUMINIUM
AB	ALUMINIUM BRONZE
BR	BRASS
SS	STAINLESS STEEL

SEAL MATERIAL	
N	NITRILE
V	VITON

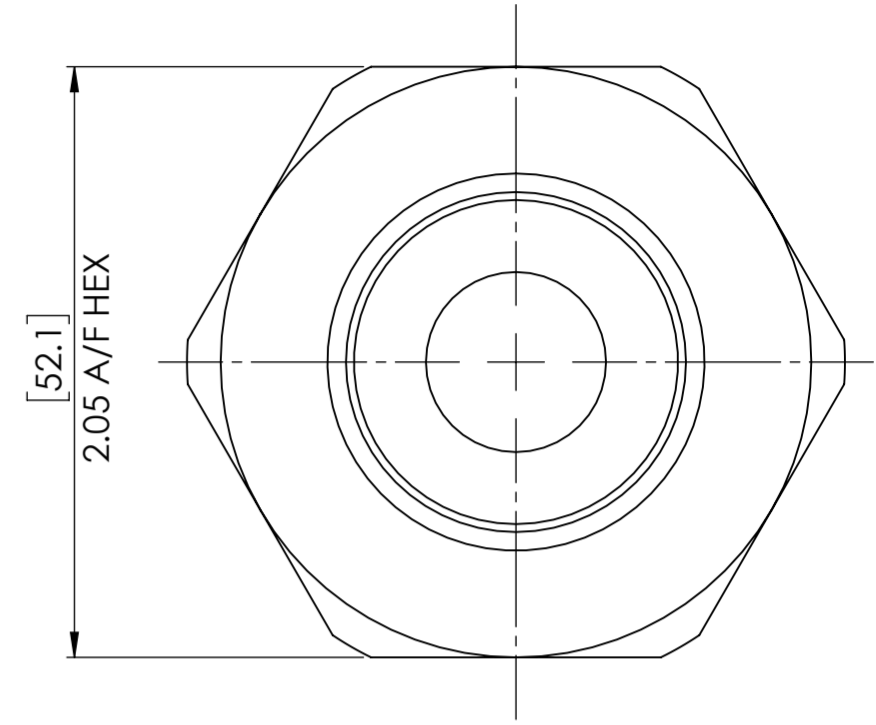
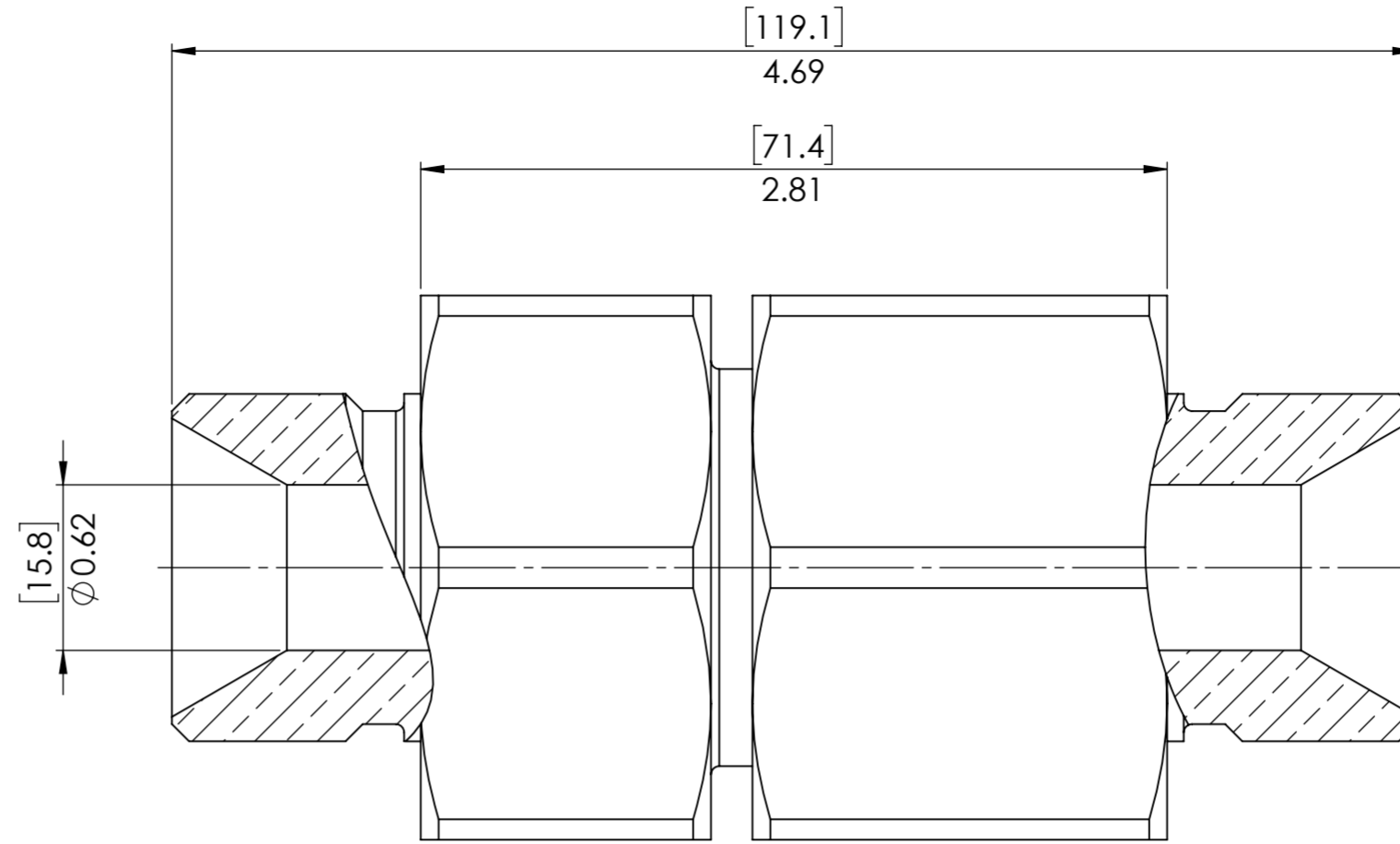
PORTS	
100PM	1" BSPP MALE
100PF	1" BSPP FEMALE
100NM	1" NPT MALE
100NF	1" NPT FEMALE

SPECIFICATION

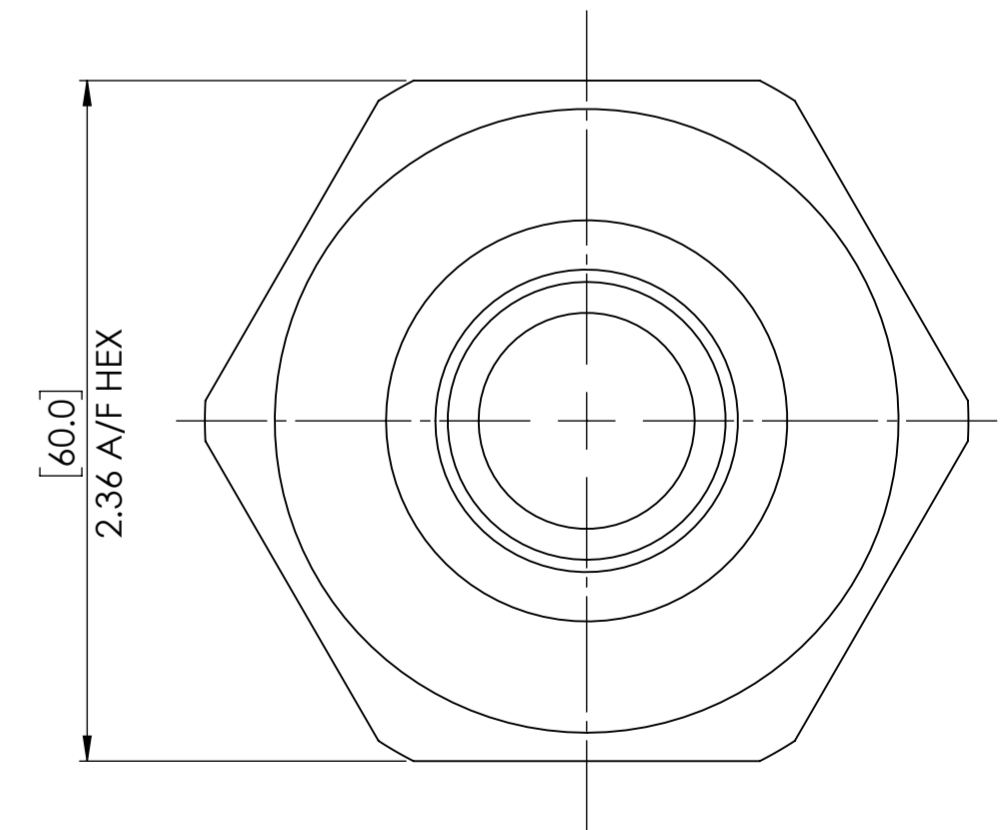
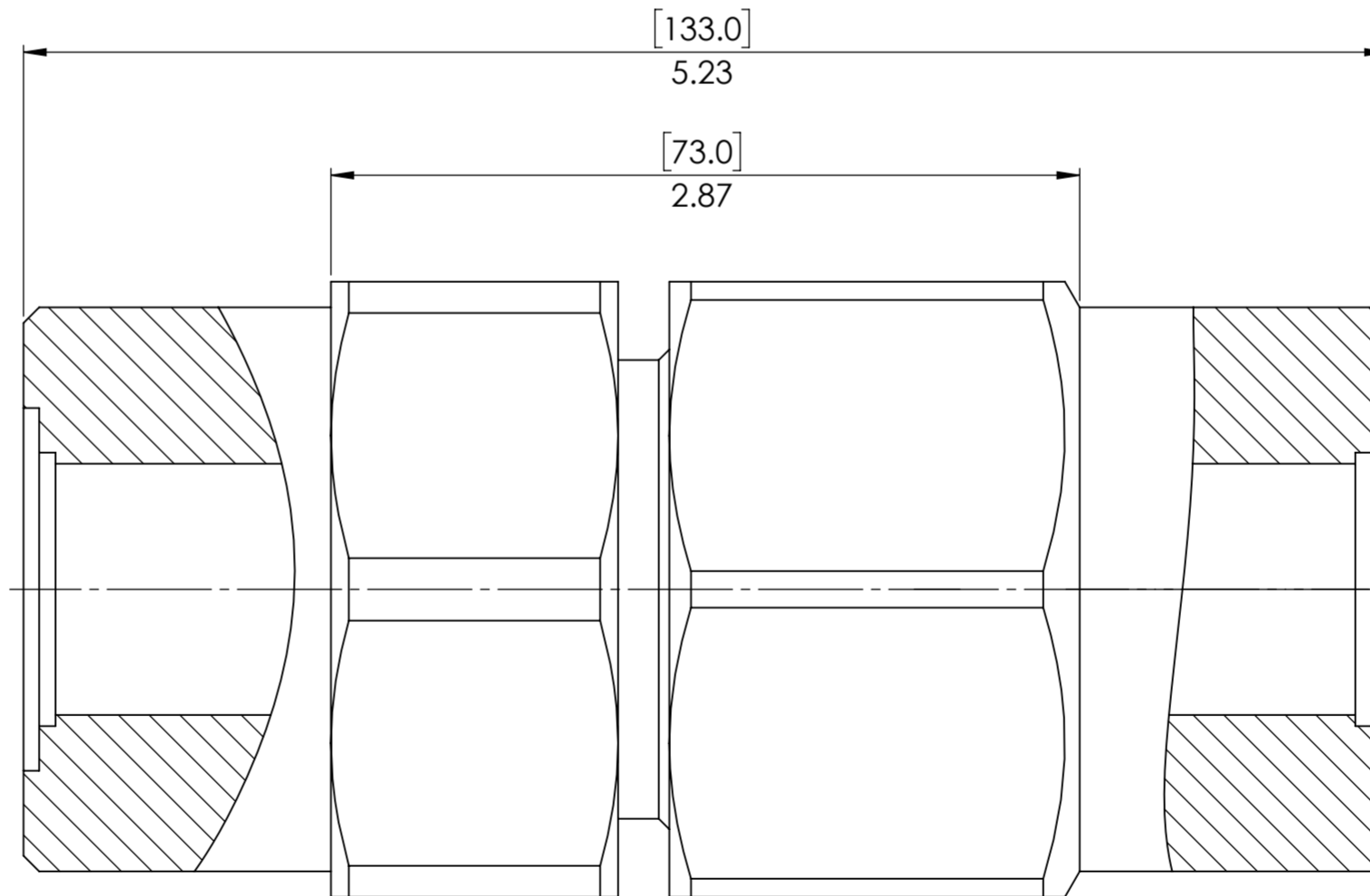
- WEIGHT: 1.35Kg (3.0Lb) MALE - MALE BRASS
- ORIFICE DIAMETER: 15.8mm (0.63")
- OXYGEN SERVICE VERSION AVAILABLE
- SUITABLE FOR BOTH GAS AND LIQUID



D14 WITH MALE TO MALE CONNECTION



D14 WITH FEMALE TO FEMALE CONNECTION



© AND DESIGN RIGHT BIS WELLS LTD. ALL RIGHTS RESERVED. WITHOUT THE PRIOR WRITTEN PERMISSION OF BIS WELLS LTD NO PART OF THIS DOCUMENT MAY BE ALTERED, ADAPTED, PUBLISHED, REPRODUCED OR TRANSMITTED IN ANY FORM OR MEDIUM.					UNLESS OTHERWISE SPECIFIED DIMENSIONS ARE IN INCHES 1. LINEAR TOLERANCES : ±0.1" 2. ANGULAR TOLERANCES : ±2°					
DRAWN	N.DANIEL	SHEET	1 OF 1	 3RD ANGLE PROJECTION	DRAWING SIZE	A2	DRAWING SCALE	3:2	DRAWING NUMBER	DS0057
DATE	14/04/20	ISSUE	1							