

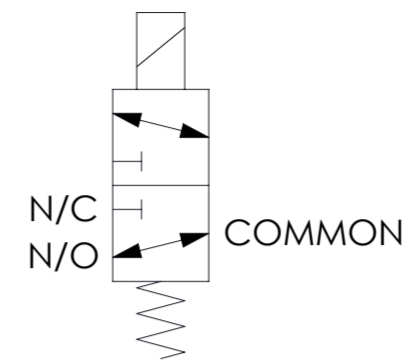
# DATASHEET

## SOLENOID VALVES: E38

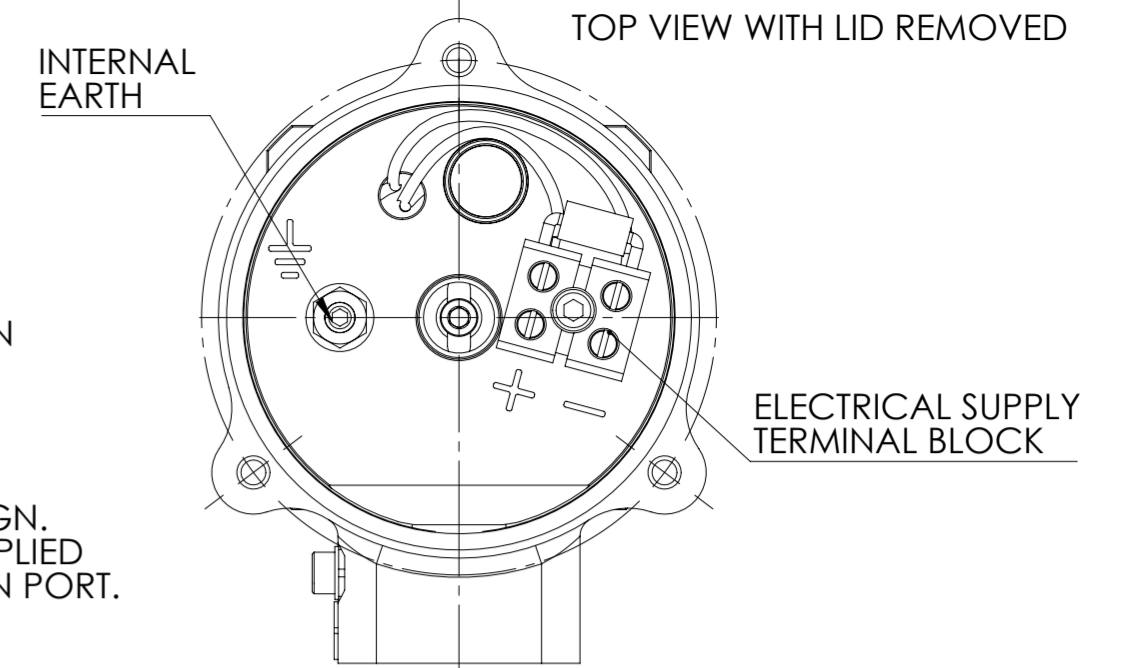
Model Code Structure - Standard Model Code in Red

Valve Model	Solenoid Model	Conduit	Voltage	Reset	Pressure	Port Type	Seal Material	Wetted Materials
<b>E38-</b> 3 Port 2 Position Universal	<b>SD</b> Ex db Solenoid	<b>1</b> M20 x 1.5	<b>A</b> 12 Vdc	<b>A</b> Automatic	<b>30</b> 3,000 Psi	<b>25P</b> 1/4" BSP	<b>N</b> Nitrile	<b>SS/AL</b> Stainless / Aluminium
	<b>SM</b> Ex mb Solenoid	<b>2</b> 1/2" NPT	<b>B</b> 24 Vdc	<b>O</b> Over ride		<b>25N</b> 1/4" NPT	<b>V</b> Viton	<b>SS/SS</b> Stainless / Stainless
			<b>C</b> 48 Vdc	<b>M</b> Manual Reset		<b>37P</b> 3/8" BSP	<b>S</b> Silicone	<b>SS/BR</b> Stainless / Brass
			<b>D</b> 115 Vdc			<b>37N</b> 3/8" NPT	<b>L</b> Low Temp Nitrile	
			<b>E</b> 24 Vac					
			<b>F</b> 48 Vac					
			<b>G</b> 115 Vac					
			<b>H</b> 230 Vac					

VALVE SYMBOL



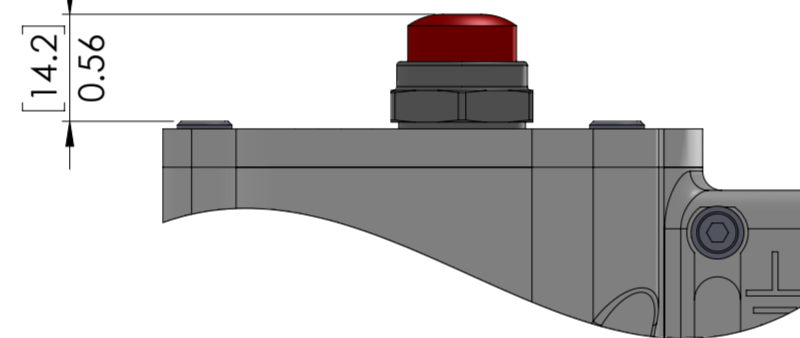
PRESSURE BALANCED DESIGN. INLET PRESSURE CAN BE APPLIED TO N/C, N/O OR COMMON PORT.



AMBIENT TEMPERATURE LIMITS			
Ex db IIC T4 Gb & T6 Gb and Ex fb IIIC T4 Db & T6 Db			
SOLENOID SEAL MATERIAL	MIN Tamb (°C)	MAX Tamb (°C) (T4 135°C)	MAX Tamb (°C) (T6 85°C)
SILICON	-60	85	40
Ex mb IIC T4 Gb and Ex mb IIIC T4 Db			
SOLENOID SEAL MATERIAL	MINIMUM Tamb (°C)	MAXIMUM Tamb (°C) (T4 135°C)	
SILICON	-40	60	

FLUID TEMPERATURE LIMITS		
VALVE SEAL MATERIAL	MINIMUM TEMPERATURE (°C)	MINIMUM TEMPERATURE (°C)
VITON	-10	120
NBR	-25	105
LNBR	-55	105
SILICONE	-60	120

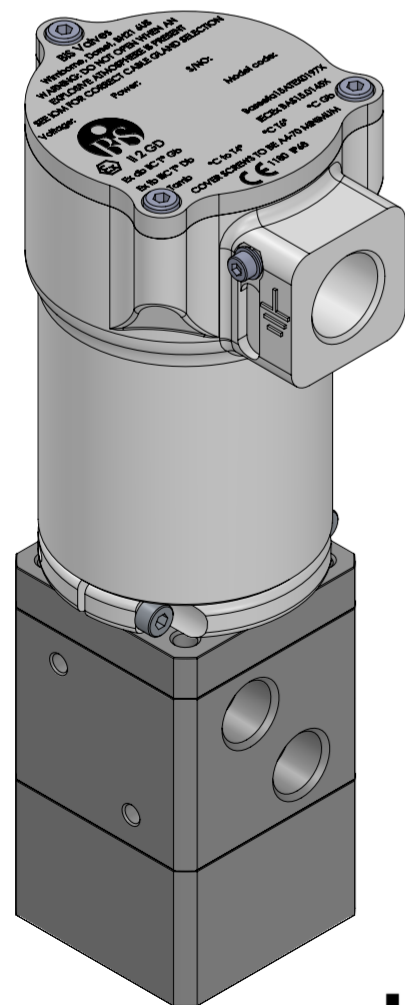
DETAIL OF MANUAL RESET AND OVER RIDE PUSH BUTTON ARRANGEMENT.



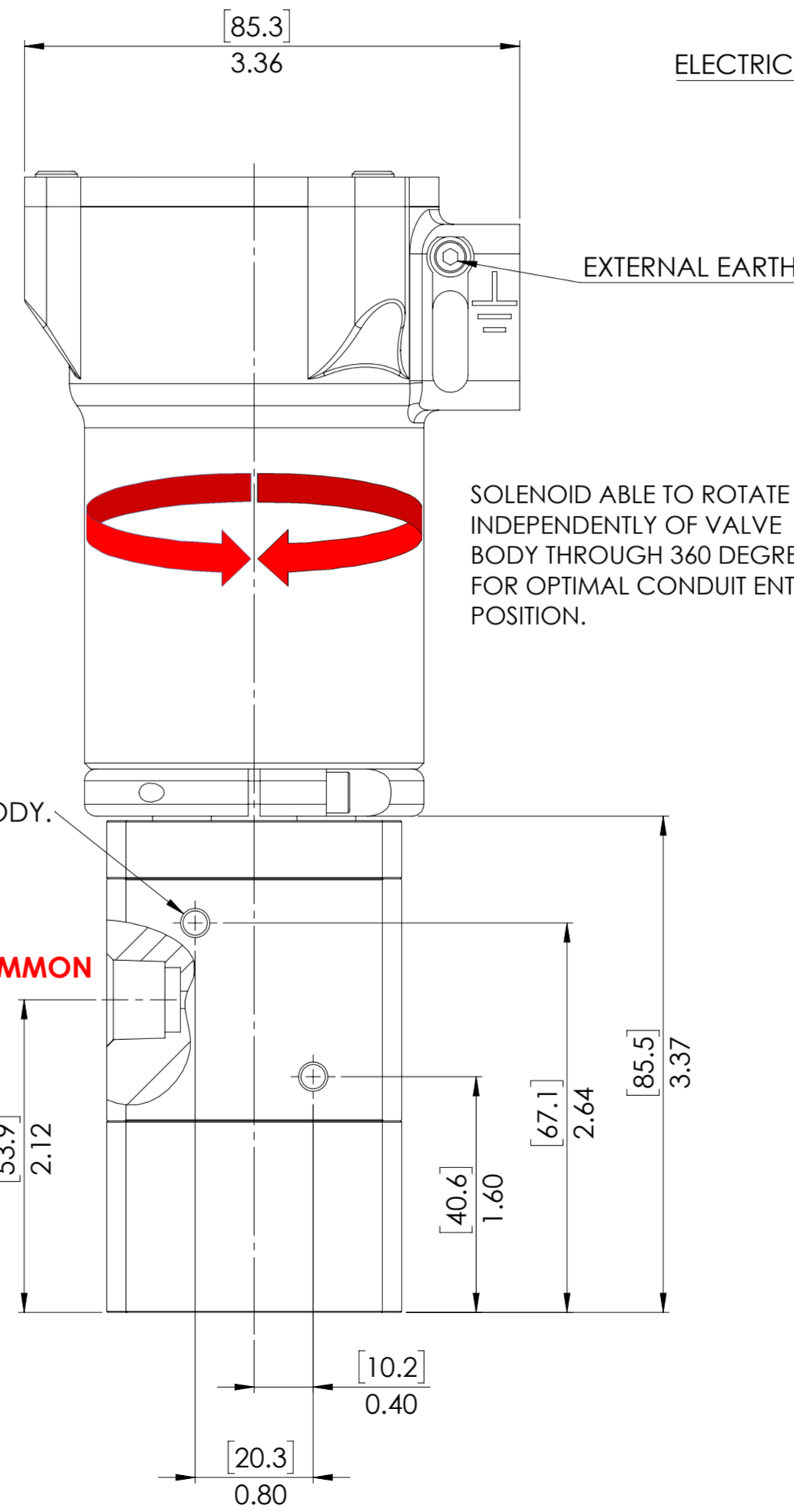
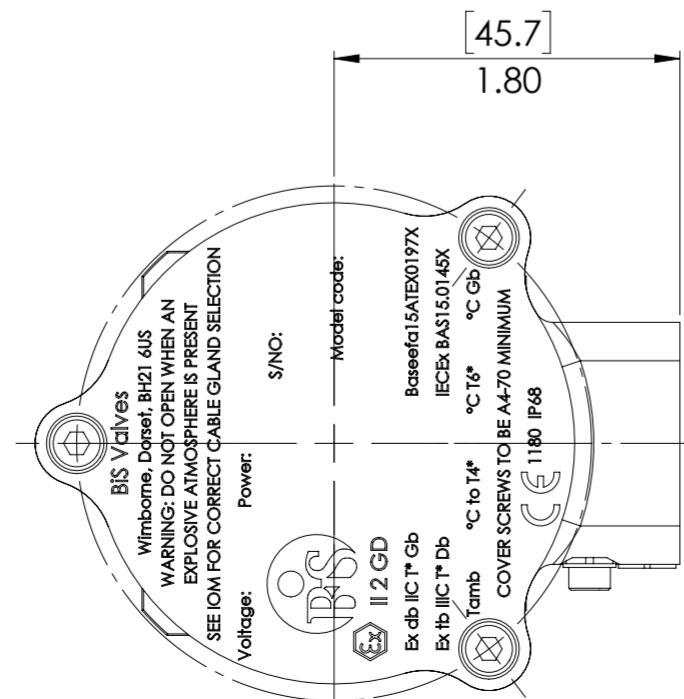
**SPECIFICATION:**

POWER RATING: 8 WATTS  
 Cv: 0.15  
 WEIGHT: 3.5 Kg  
 IP RATING: IP68

SUITABLE FOR BOTH GASSES AND LIQUIDS  
 SURGE SUPPRESSION DIODE FITTED AS STANDARD



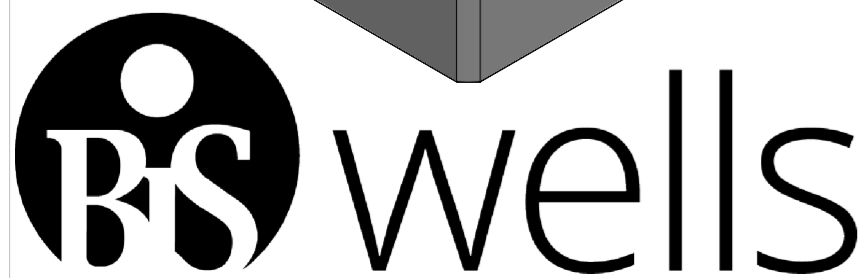
2 OFF MOUNTING HOLES TO SUIT M5 SCREWS. TYP BOTH SIDES OF VALVE BODY.



SOLENOID ABLE TO ROTATE INDEPENDENTLY OF VALVE BODY THROUGH 360 DEGREES FOR OPTIMAL CONDUIT ENTRY POSITION.

NORMALLY CLOSED

NORMALLY OPEN



© AND DESIGN RIGHT BIS WELLS LTD. ALL RIGHTS RESERVED. WITHOUT THE PRIOR WRITTEN PERMISSION OF BIS WELLS LTD NO PART OF THIS DOCUMENT MAY BE ALTERED, ADAPTED, PUBLISHED, REPRODUCED OR TRANSMITTED IN ANY FORM OR MEDIUM.				UNLESS OTHERWISE SPECIFIED DIMENSIONS ARE IN INCHES 1. LINEAR TOLERANCES : ±0.1" 2. ANGULAR TOLERANCES : ±2°			
DRAWN	J.PHELAN	SHEET	1 OF 1	DRAWING SIZE	A2	DRAWING SCALE	2:3
DATE	03/06/2020	ISSUE	2	3RD ANGLE PROJECTION		DRAWING NUMBER	DS0062