

# DATASHEET

## PNEUMATIC AND HYDRAULIC REGULATORS: A9, A10, A11 & A12 SERIES

MODEL CODE											
A	10	-	A	N	P	25N	0	0	0	V	0

MODEL TYPE	
A	REGULATOR
REGULATED PRESSURE	
9	0 ~ 300 Psi
10	0 ~ 1,000 Psi
11	0 ~ 4,000 Psi
12	0 ~ 6,000 Psi
MATERIAL	
A	ALUMINIUM
AB	ALUMINIUM BRONZE
BR	BRASS
SS	STAINLESS STEEL
SEAL MATERIAL	
N	NITRILE
V	VITON
SEAT MATERIAL	
P	POLYMER (PNEUMATIC)
S	STAINLESS (HYDRAULIC)
PORTS	
25N	1/4 NPT
25P	1/4 BSP
37N	3/8 NPT
37P	3/8 BSP
50N	1/2 NPT
50P	1/2 BSP

HANDWHEEL	
0	STANDARD HANDWHEEL
L	LOCKING

VENTING	
V	VENTING
NV	NON VENTING

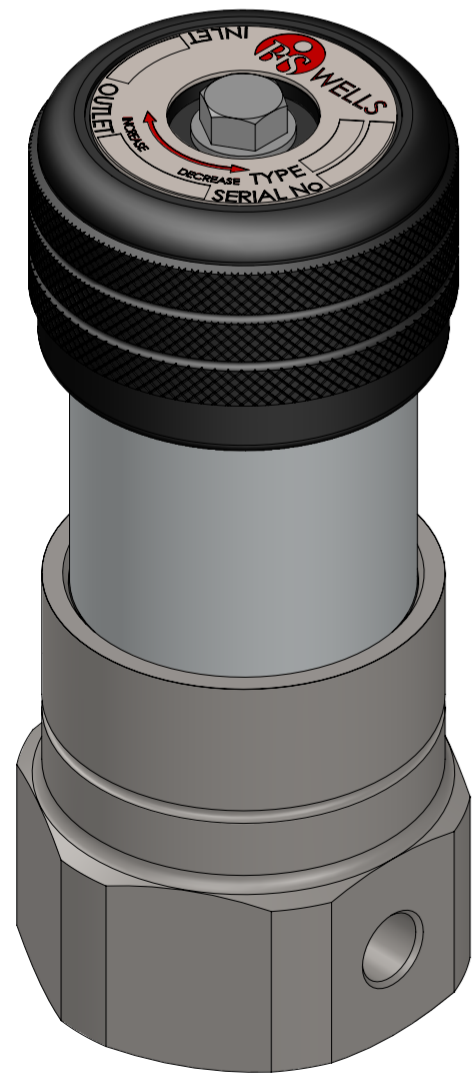
MOUNTING	
0	NO MOUNTING
PM	PANEL MOUNTING

OUTLET GAUGE PORT	
0	NO PORT
3	1/4" NPT
4	1/4" NPT
6	1/4" BSP

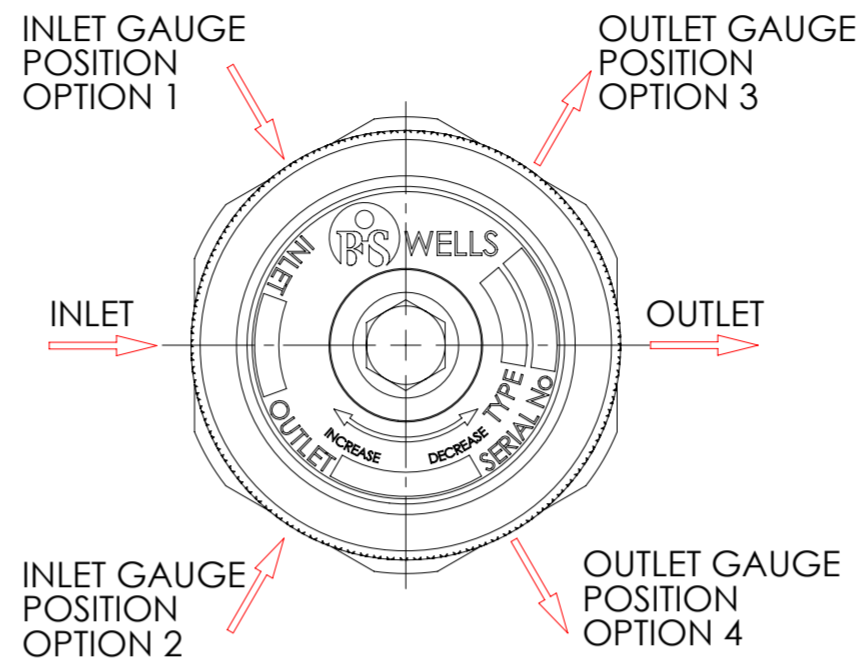
INLET GAUGE PORT	
0	NO PORT
1	1/4" NPT
2	1/4" NPT
5	1/4" BSP

**FOR OXYGEN SERVICE SPECIFY: A9OX, A10OX, A11OX OR A12OX**

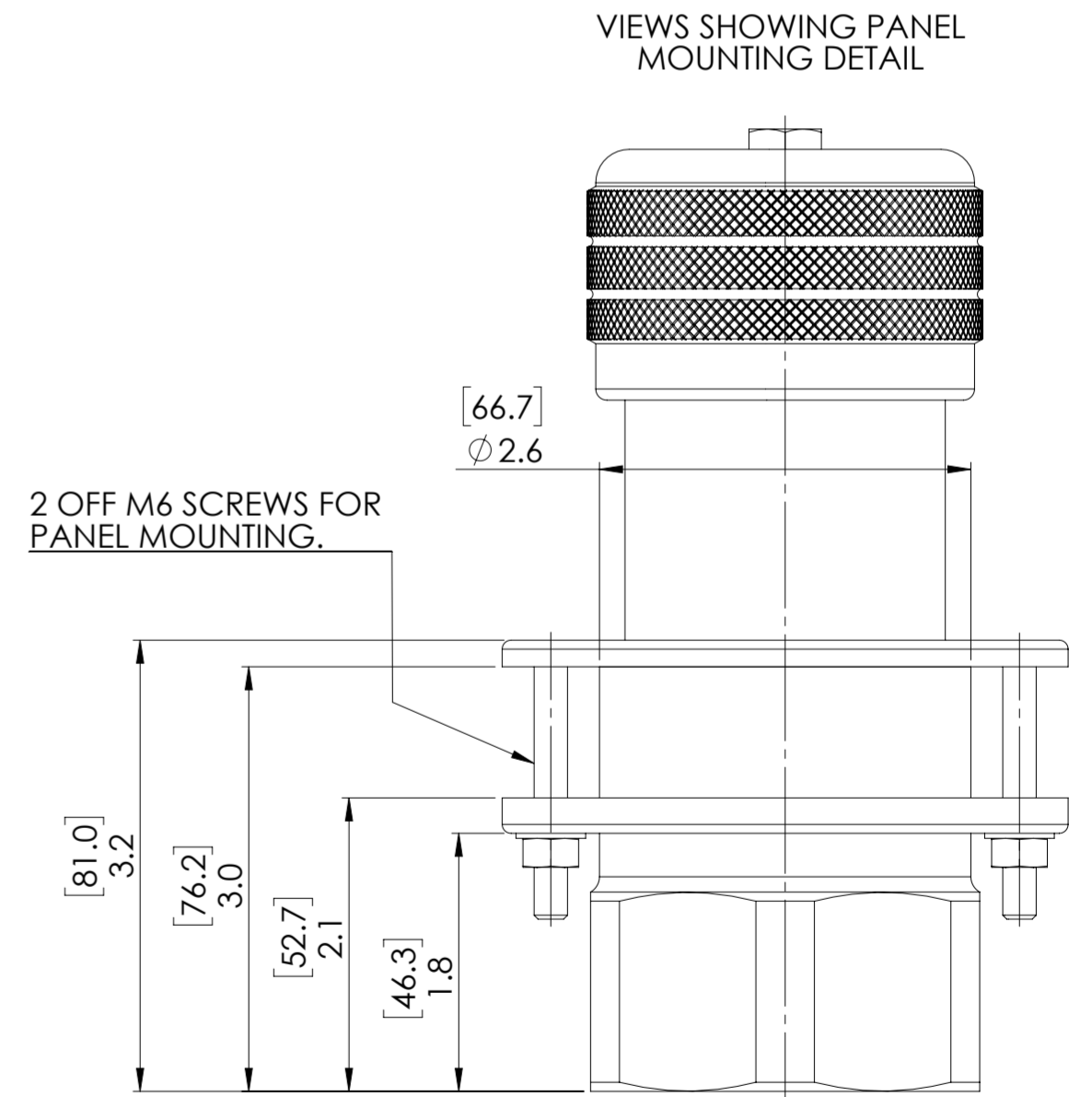
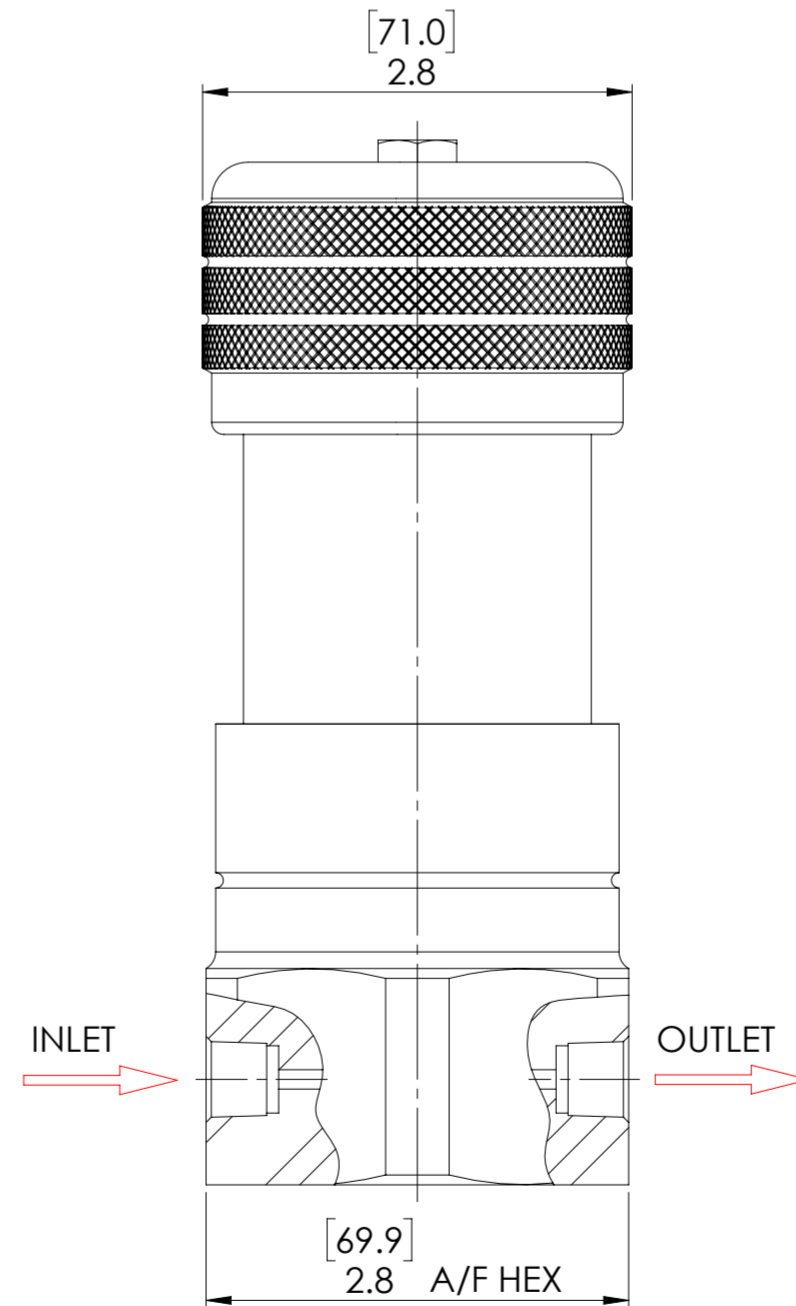
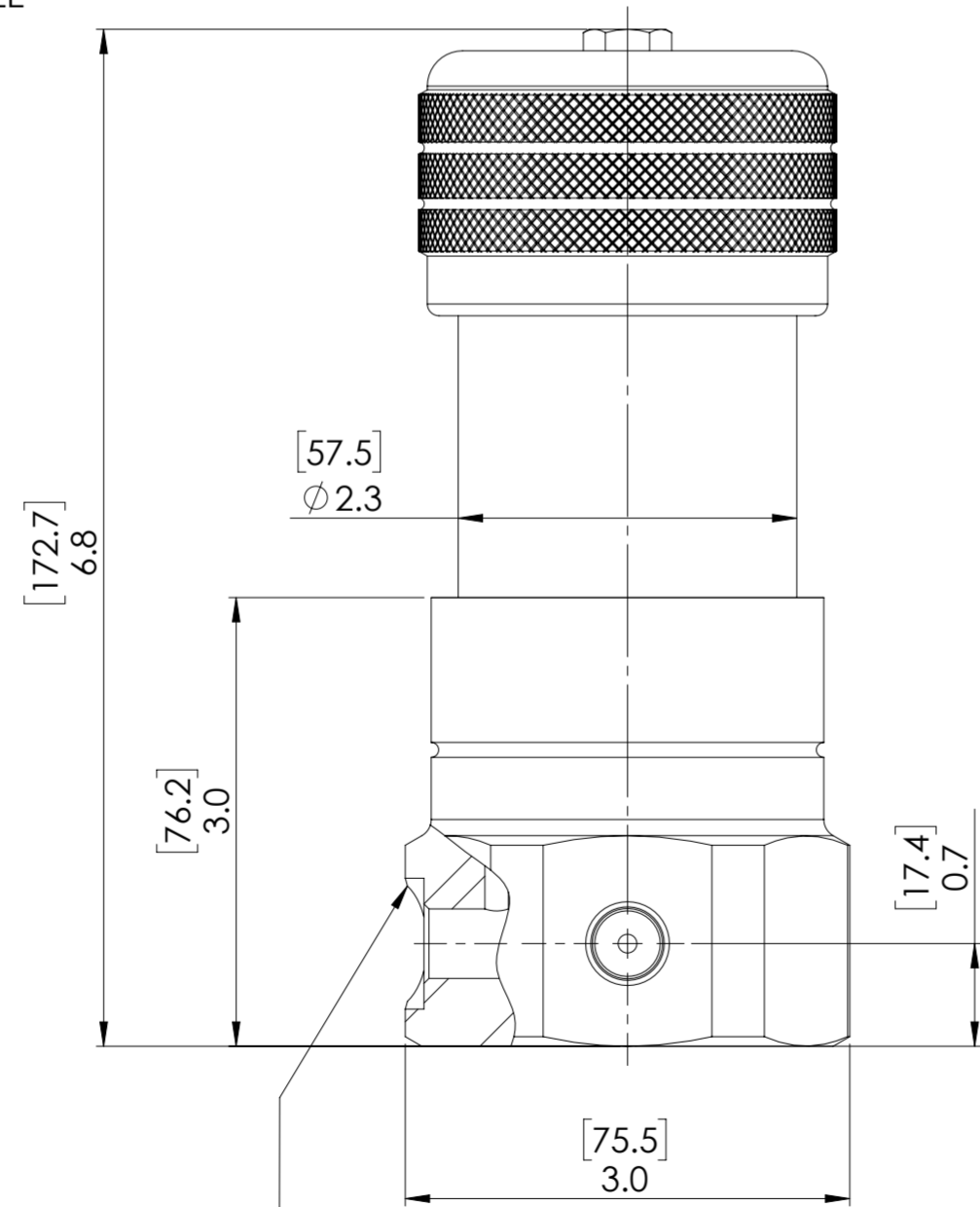
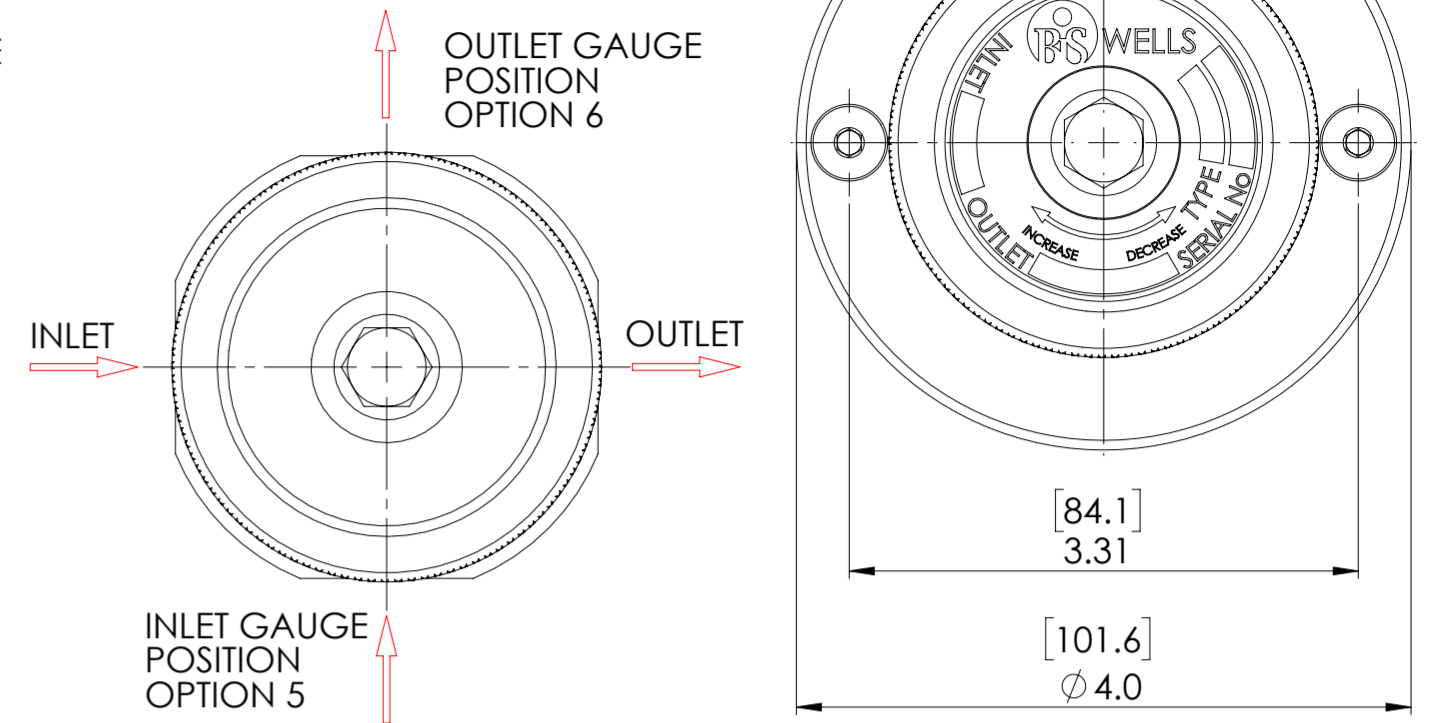
- INLET PRESSURE: 6,000 Psi
- WEIGHT: 1.9 Kg (ALUMINIUM VERSION)
- ORIFICE: 3.2mm
- Cv: 0.09
- LOCKING OPTION AVAILABLE
- OXYGEN SERVICE OPTION



**HEXAGON BODY: VIEW SHOWING OPTIONAL INLET AND OUTLET GAUGE PORT LOCATIONS.**



**SQUARE BODY: VIEW SHOWING OPTIONAL INLET AND OUTLET GAUGE PORT LOCATIONS.**



OPTIONAL VENT PORT ONLY FEATURED ON VENTING REGULATORS, WHERE HAZARDOUS GASSES ARE PROCESSED. 1/4" BSPP AS STANDARD.



© AND DESIGN RIGHT BIS WELLS LTD. ALL RIGHTS RESERVED. WITHOUT THE PRIOR WRITTEN PERMISSION OF BIS WELLS LTD NO PART OF THIS DOCUMENT MAY BE ALTERED, ADAPTED, PUBLISHED, REPRODUCED OR TRANSMITTED IN ANY FORM OR MEDIUM.				UNLESS OTHERWISE SPECIFIED DIMENSIONS ARE IN INCHES 1. LINEAR TOLERANCES : ±0.1" 2. ANGULAR TOLERANCES : ±2°			
DRAWN	J.PHELAN	SHEET	1 OF 1	DRAWING SIZE	A2	DRAWING SCALE	1:2
DATE	29/04/19	ISSUE	7	3RD ANGLE PROJECTION		DRAWING NUMBER	DS0002